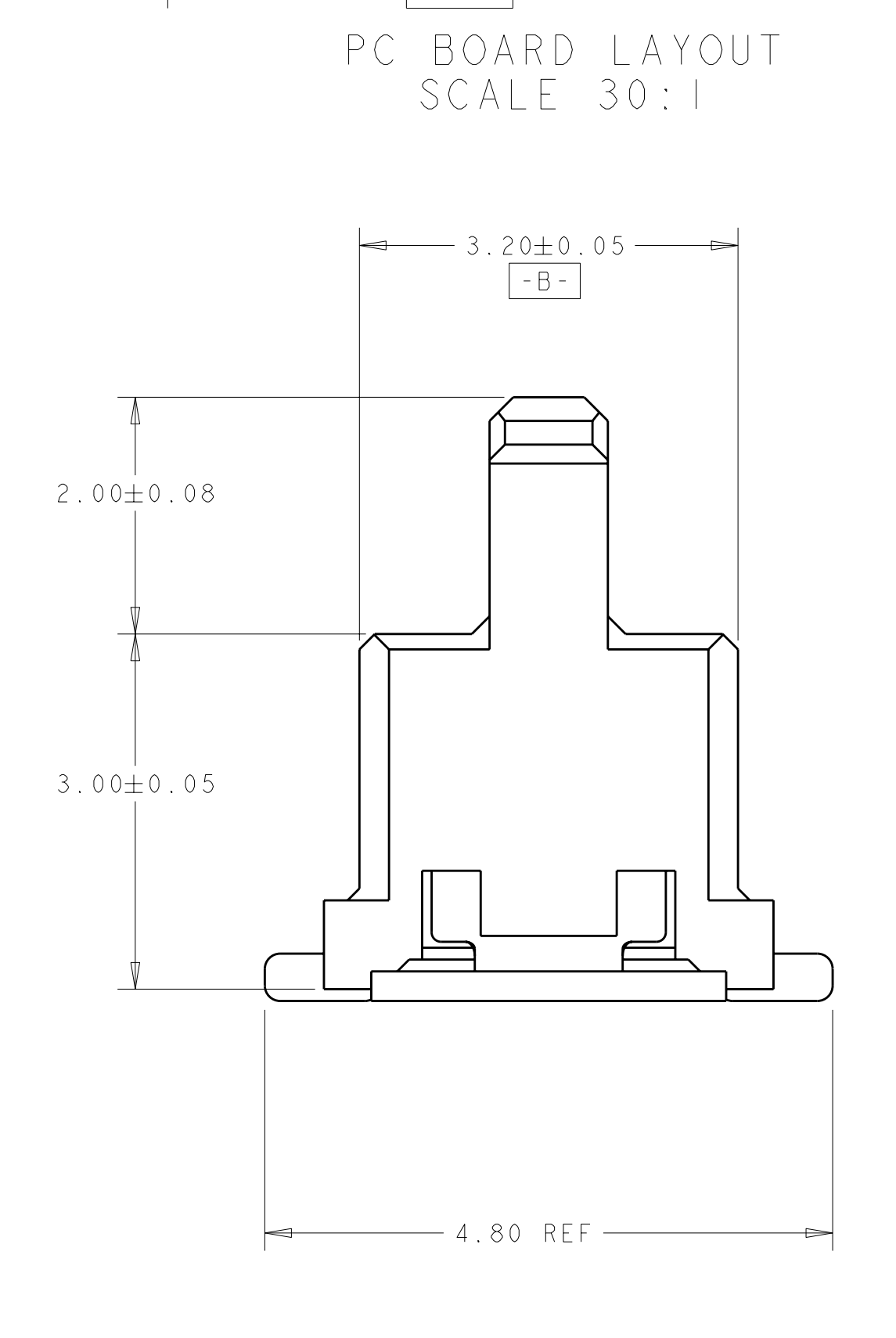
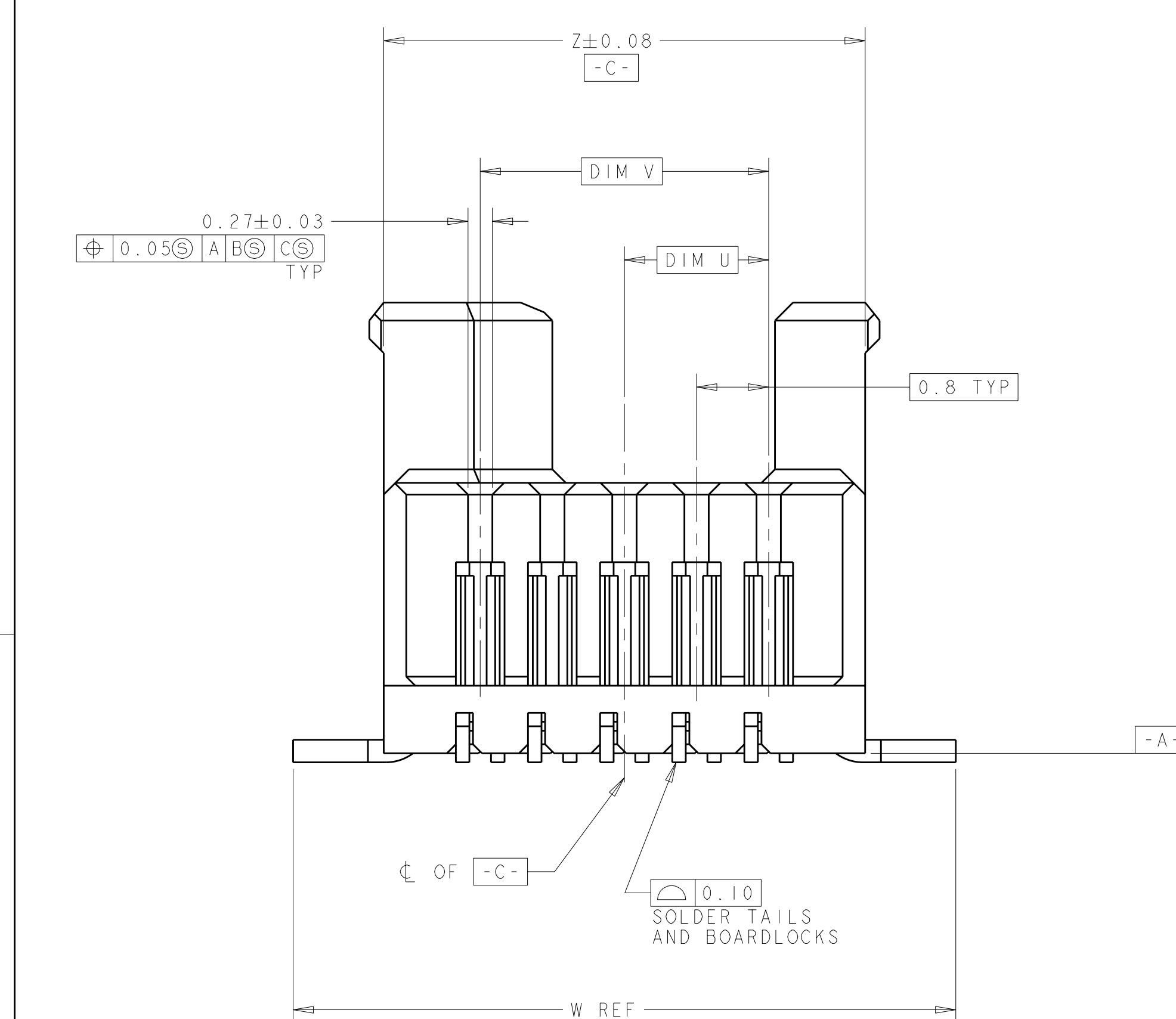
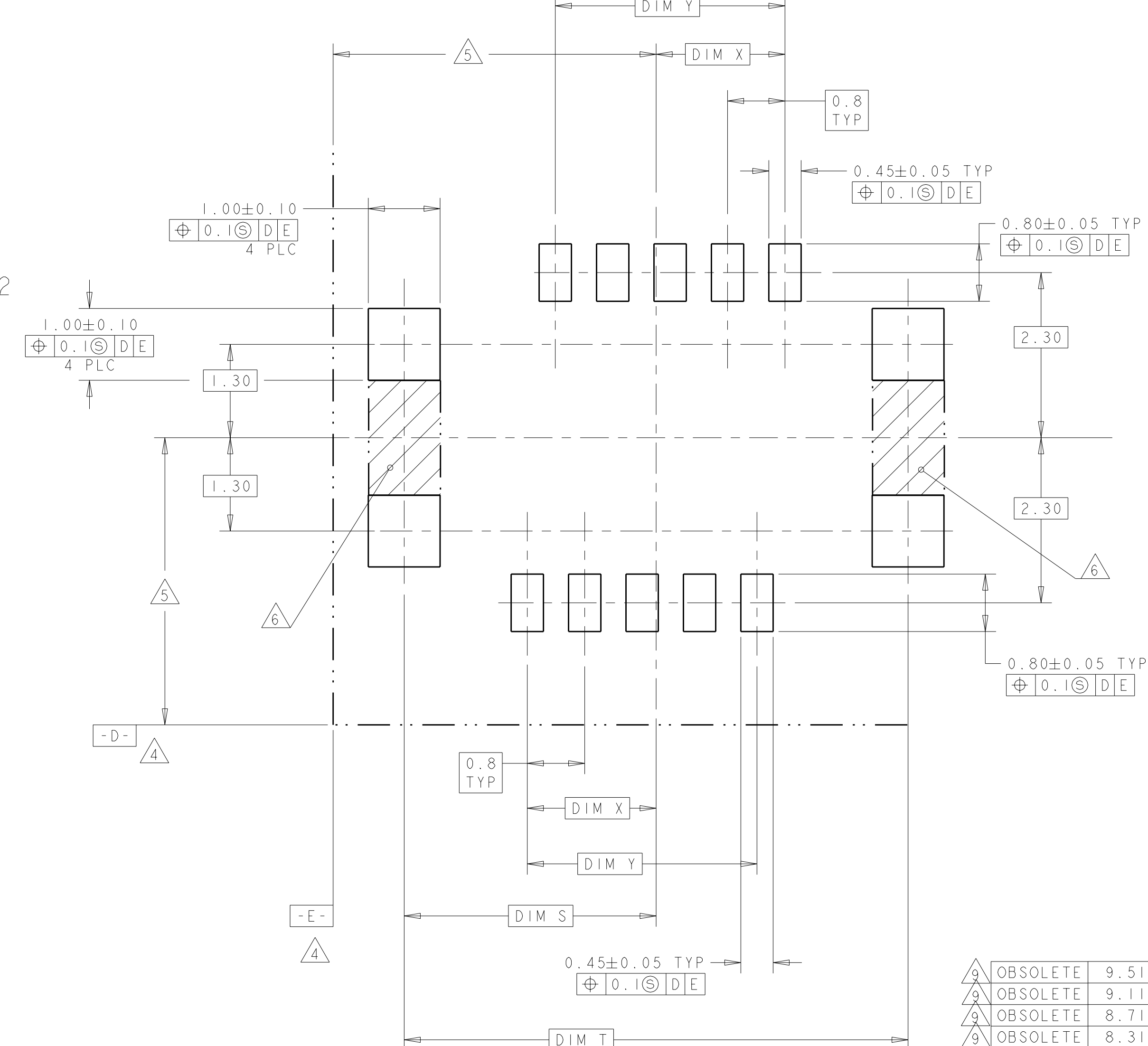
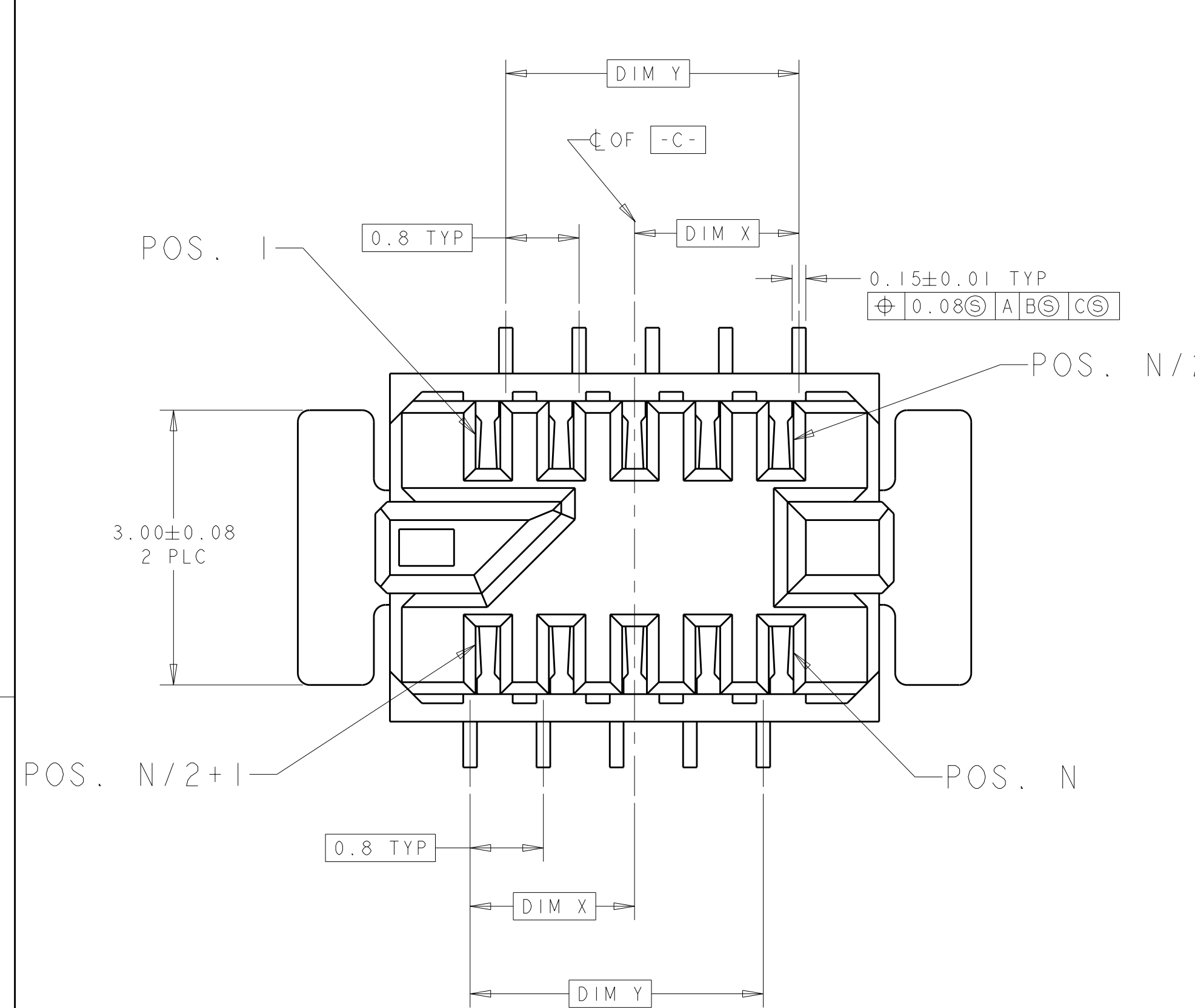


LOC	DIST	REV	DATE	BY	CHK	APPD
AD	00	B2	23MAR2011	RK	HMR	



- △ HOUSING MATERIAL; UL94 V-0 RATED LCP, COLOR: NATURAL. CONTACT MATERIAL; PHOS BRONZE BOARDLOCK MATERIAL; BRASS
- △ CONTACT PLATING; 0.76 μm MIN GOLD IN MATING AREA 0.13 μm - 0.20 μm GOLD IN SOLDER AREA. BOTH OVER 1.27 μm MIN NICKEL ON ENTIRE STOCK.
- △ BOARDLOCK PLATING; 3.8 μm MIN BRIGHT TIN/LEAD ON ENTIRE STOCK OVER 1.27 μm MIN NICKEL ON ENTIRE STOCK.
- △ DATUMS ESTABLISHED BY CUSTOMER.
- △ BASIC DIMENSIONS ESTABLISHED BY CUSTOMER.
- △ NO TRACES ON EXTERNAL BOARD LAYER IN THIS AREA.
- △ BOARDLOCK PLATING; 3.8 μm MIN TIN ON ENTIRE STOCK OVER 1.27 μm MIN NICKEL ON ENTIRE STOCK
- △ ROHS 2002/95/EC COMPLIANT.
- △ OBSOLETE PARTS: OBSOLETE CIS STREAMLINING PER D.RENAUD/D.SINISI

NO. OF POS.	PART NUMBER	FINISH	Z	DIM Y	DIM X	W REF	DIM V	DIM U	DIM T	DIM S
40	6-1375870-8									
38	6-1375870-7									
36	6-1375870-6									
34	6-1375870-5									
32	6-1375870-4									
30	6-1375870-3									
28	6-1375870-2									
26	6-1375870-1									
24	6-1375870-0									
22	5-1375870-9	△ 2 △ 7 △ 8								
20	5-1375870-8									
18	5-1375870-7									
16	5-1375870-6									
14	5-1375870-5									
12	5-1375870-4									
10	5-1375870-3									
8	5-1375870-2									
6	5-1375870-1									
40	1-1375870-8									
38	1-1375870-7									
36	1-1375870-6									
34	1-1375870-5									
32	1-1375870-4									
30	1-1375870-3									
28	1-1375870-2									
26	1-1375870-1									
24	1-1375870-0									
22	1375870-9	△ 2 △ 3								
20	1375870-8									
18	1375870-7									
16	1375870-6									
14	1375870-5									
12	1375870-4									
10	1375870-3									
8	1375870-2									
6	1375870-1									

THIS DRAWING IS A CONTROLLED DOCUMENT.

DIMENSIONS: mm

TOLERANCES UNLESS OTHERWISE SPECIFIED:

9 PLC	±
5 PLC	±
4 PLC	±
ANGLES	±

MATERIAL: SEE TABLE

FINISH: SEE TABLE

THIS DRAWING IS A CONTROLLED DOCUMENT.

DRAWN BY: W. DAVIS

CHECKED BY: W. DAVIS

DATE: 07JUN2000

DATE: 07JUN2000

NAME: W. DAVIS

PRODUCT SPEC: 108-1955

APPLICATION SPEC: 114-13051

WEIGHT: -

CUSTOMER DRAWING

SCALE: 20:1

SHEET 1 OF 1

REV B2

NO. OF POS. N

PART NUMBER

AMPMODU MICRO INTERCONNECT RECEPTACLE ASSEMBLY

SIZE: A100779C=1375870

RESTRICTED TO

X-ON Electronics

Largest Supplier of Electrical and Electronic Components

Click to view similar products for [Headers & Wire Housings](#) category:

Click to view products by [TE Connectivity](#) manufacturer:

Other Similar products are found below :

[892-18-020-10-001101](#) [58102-G61-06LF](#) [582553-1](#) [0009485154](#) [009176003701906](#) [0050291907](#) [LY20-4P-DT1-P1E-BR](#) [02.125.8002.8](#)
[609-3404](#) [61062-3](#) [61082-181009](#) [622-3653LF](#) [63453-116](#) [636-1030](#) [636-1427](#) [636-3427](#) [636-4007](#) [641938-9](#) [641991-4](#) [644827-2](#) [65817-010LF](#) [65817-015LF](#) [65863-015LF](#) [66207-023LF](#) [67095-007LF](#) [67601157](#) [68645-018](#) [68648-049](#) [70.362.1628.0](#) [70-4210](#) [70-4226B](#) [70-4853B](#) [707-5020](#) [707-5028](#) [71.350.2428.0](#) [71918-208LF](#) [71961-016LF](#) [733-134](#) [733-162](#) [754199-000](#) [760-3052](#) [787-8014-00](#) [79531-3000](#)
[FCN-360C032-B](#) [FCN-367T-T012/H](#) [FCN-723D010/2](#) [80.063.4001.1](#) [800-90-001-10-001000](#) [800-90-010-10-002000](#) [801-43-002-10-013000](#)