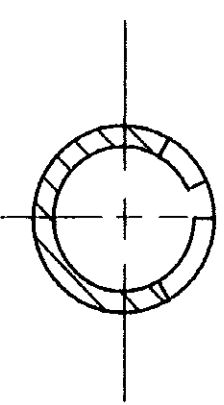
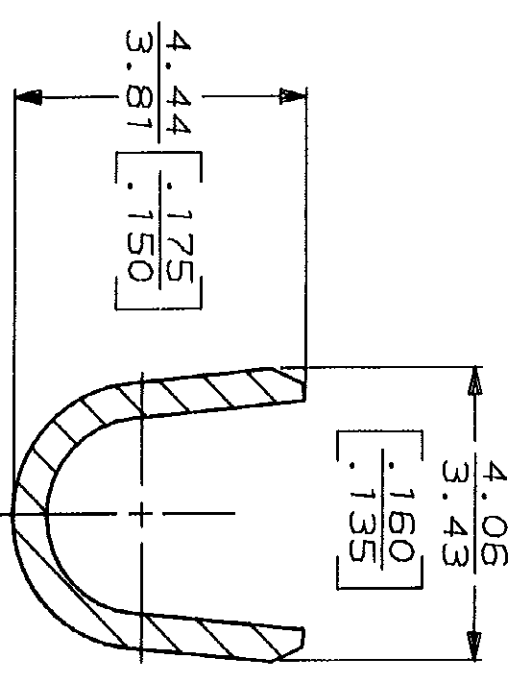
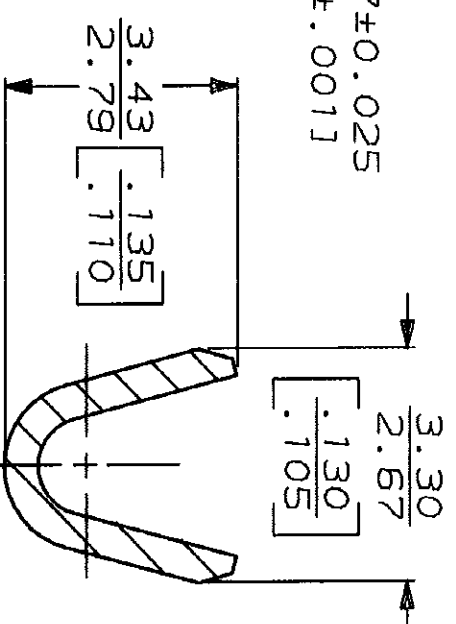
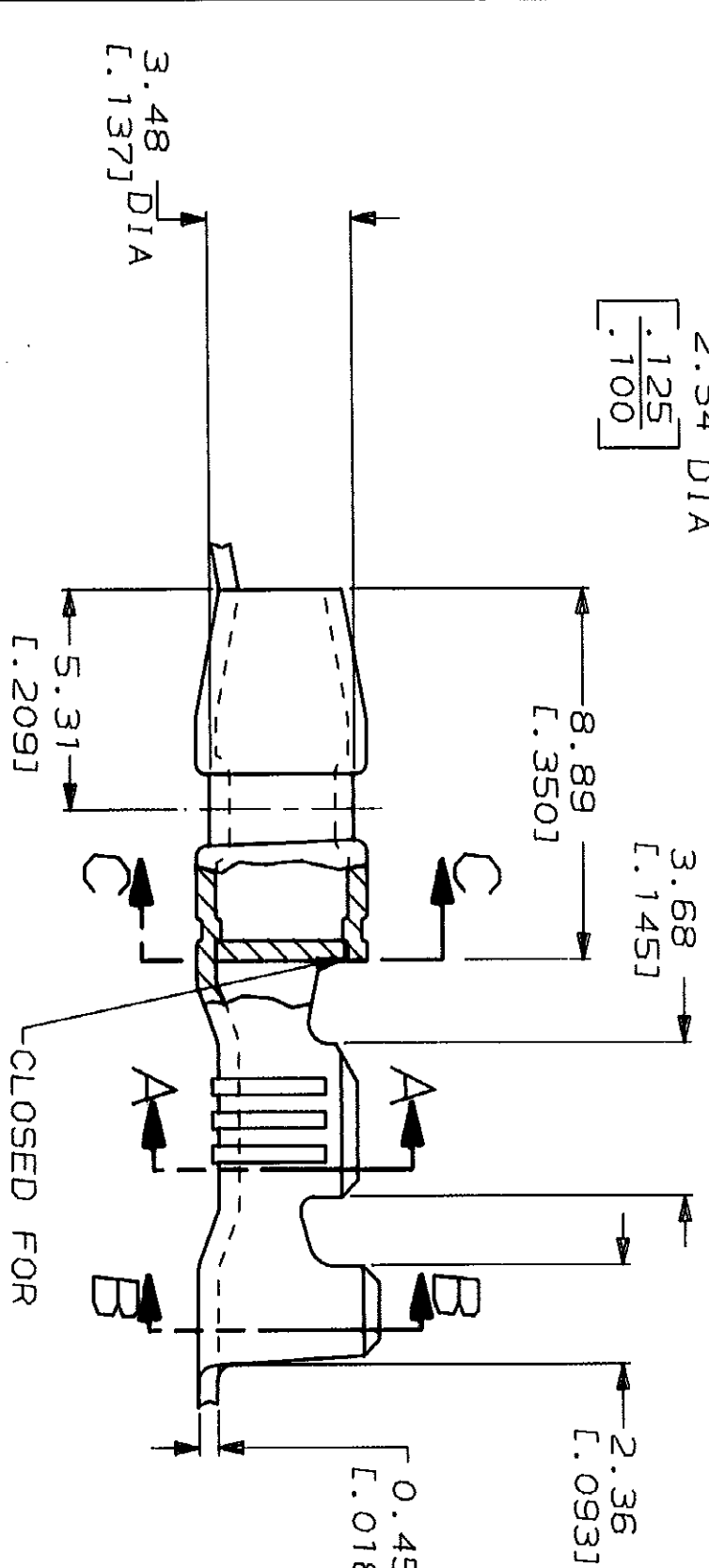
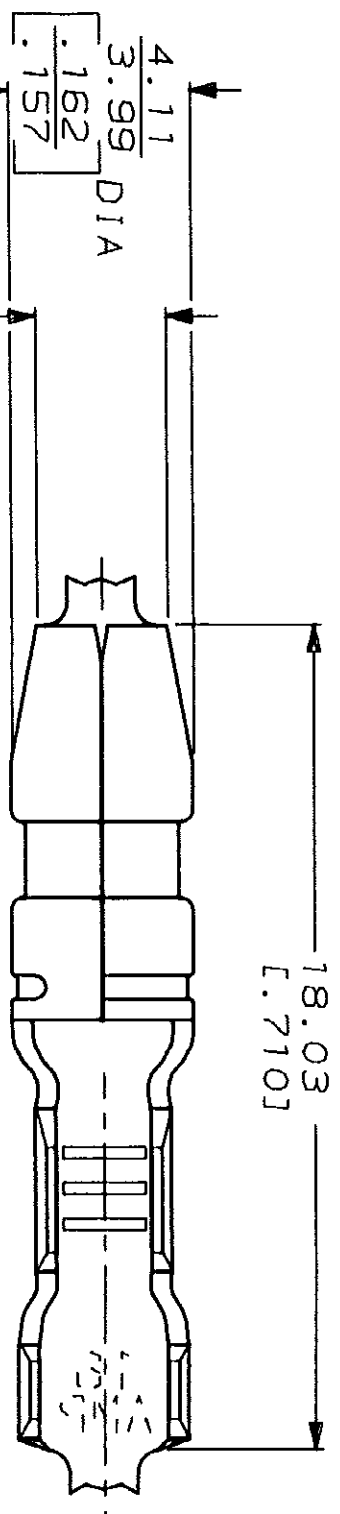


THIS DRAWING IS UNPUBLISHED. RELEASED FOR PUBLICATION BY AMP INCORPORATED. ALL INTERNATIONAL RIGHTS RESERVED. © COPYRIGHT 19

LOC	DIST	P	F	ZONE	LTR	DESCRIPTION	DATE	APPD
AF	50				H	REDRAWN PER AF-6810	7/26/90	PF/JR

REV	DESCRIPTION	DATE	APPD
1			



CLOSED FOR MOLDING PURPOSES

1 CONTINUOUS STRIP ON REELS

METRIC

TYPE	WIDTH	STRIP LENGTH ±0.38 [±.015]	TYPE	WIDTH	HEIGHT ±0.051 [±.002]	WIRE
F or 0	3.56 [1.40]	5.33 [2.10]	F	2.29 [0.90]	1.68 [0.66]	1.3mm [16]
INSUL BARREL CRIMP			WIRE BARREL CRIMP		1.50 [0.59]	0.8mm [18]
					1.42 [0.56]	0.5mm [20]

DO NOT SCALE PRINT. UNLESS SPECIFIED DIMENSIONS IN MILLIMETERS (DIMENSIONS IN INCHES) TOLERANCES ON:	DR 7/26/90 P FORNEY	AMP Incorporated
1 PLC DEC ± 0.25 [L. 0101]	CHK 7/26/90 JR RUTH	Harrisburg, PA 17105-3608
2 PLC DEC ± 0.25 [L. 0101]	APPD 7/26/90 G VETTER	
3 PLC DEC ± 0.25 [L. 0101]	APPD 7/26/90 R KUZO	
MATERIAL #1 HARD BRASS	PRODUCT SPEC	
FINISH 0.003302 [L. 000130]	APPLICATION SPEC	
MAX PRE-TIN PL PER MIL-T-10727	WEIGHT	
2.41-2.92 DIA [L. 095-.115]	INSULATION RANGE	WIRE RANGE
0.5mm ² -1.3mm ² [20-16] AWG		PART NO 61388-1
NAME SHUR PLUG, 3.96 [L. 156] DIA	SCALE 6:1	DRAWING NO 61388
		SHEET 1 OF 1

CUSTOMER DRAWING

X-ON Electronics

Largest Supplier of Electrical and Electronic Components

Click to view similar products for [Terminals](#) category:

Click to view products by [TE Connectivity](#) manufacturer:

Other Similar products are found below :

[00-054007-01074-6](#) [00-054007-70206-1](#) [00-054007-70210-8](#) [00-054007-70217-7](#) [00-054007-70226-9](#) [00-054007-70228-3](#) [00-054007-70248-1](#) [00-054007-70256-6](#) [00-054007-70301-3](#) [00-054007-70316-7](#) [0-0320562-0](#) [00-054007-49560-4](#) [00-054007-70209-2](#) [00-054007-70225-2](#) [00-054007-70227-6](#) [00-054007-70231-3](#) [00-054007-70241-2](#) [00-054007-70242-9](#) [00-054007-70244-3](#) [00-054007-70246-7](#) [00-054007-70263-4](#) [00-054007-70288-7](#) [00-054007-70290-0](#) [00-054007-70300-6](#) [00-054007-70304-4](#) [01-2065-1-0216](#) [01-2900-1-04412](#) [00581P0075](#) [600TS-10](#) [60205-1](#) [604200-1](#) [605601-1](#) [60598-1-CUT-TAPE](#) [61314-6-C](#) [61810-3](#) [61-S](#) [61-SN](#) [626-0194](#) [62-NBM-A](#) [62-SN](#) [62-SP](#) [63-S](#) [640179-1](#) [M55155/059I03](#) [M55155/079C01](#) [M55155/099H02](#) [M55155/109H01](#) [M55155/109H02](#) [M55155/12XH05](#) [M55155/16XH02](#)