

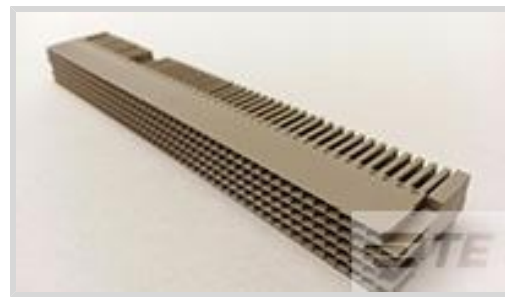
6-1393704-4 ✓ ACTIVE

Alcoswitch ADP

TE Internal #: 6-1393704-4

TE Internal Description: V23552A2455E101=SIPAC FL 4SU

[View on TE.com >](#)



Product Compliance

[For compliance documentation, visit the product page on TE.com>](#)

EU RoHS Directive 2011/65/EU	Compliant
EU ELV Directive 2000/53/EC	Compliant
China RoHS 2 Directive MIIT Order No 32, 2016	No Restricted Materials Above Threshold
EU REACH Regulation (EC) No. 1907/2006	Current ECHA Candidate List: JUL 2021 (219) Candidate List Declared Against: JUL 2021 (219) Does not contain REACH SVHC
Halogen Content	Not Low Halogen - contains Br or Cl > 900 ppm.
Solder Process Capability	Not applicable for solder process capability

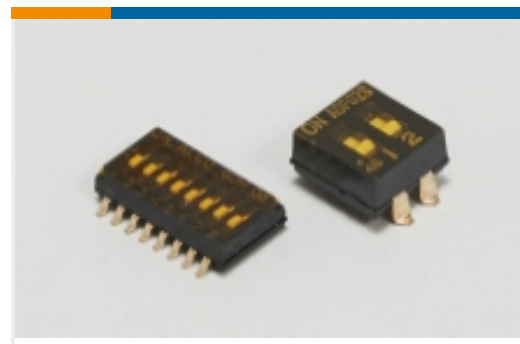
Product Compliance Disclaimer

This information is provided based on reasonable inquiry of our suppliers and represents our current actual knowledge based on the information they provided. This information is subject to change. The part numbers that TE has identified as EU RoHS compliant have a maximum concentration of 0.1% by weight in homogenous materials for lead, hexavalent chromium, mercury, PBB, PBDE, DBP, BBP, DEHP, DIBP, and 0.01% for cadmium, or qualify for an exemption to these limits as defined in the Annexes of Directive 2011/65/EU (RoHS2). Finished electrical and electronic equipment products will be CE marked as required by Directive 2011/65/EU. Components may not be CE marked. Additionally, the part numbers that TE has identified as EU ELV compliant have a maximum concentration of 0.1% by weight in homogenous materials for lead, hexavalent chromium, and mercury, and 0.01% for cadmium, or qualify for an exemption to these limits as defined in the Annexes of Directive 2000/53/EC (ELV). Regarding the REACH Regulation, the information TE provides on SVHC in articles for this part number is based on the latest European Chemicals Agency (ECHA) 'Guidance on requirements for substances in articles' posted at this URL: <https://echa.europa.eu/guidance-documents/guidance-on-reach>

Also in the Series | [Alcoswitch ADP](#)



Card Edge Connector Housings(4)

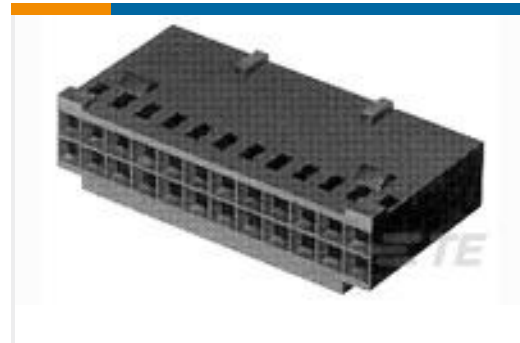
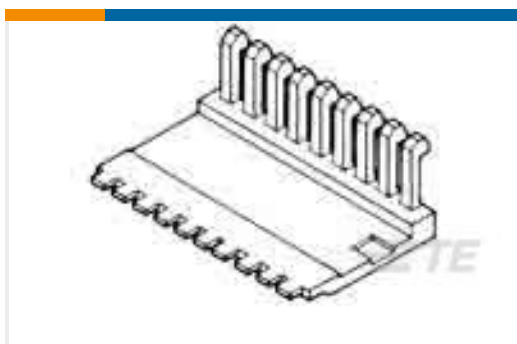
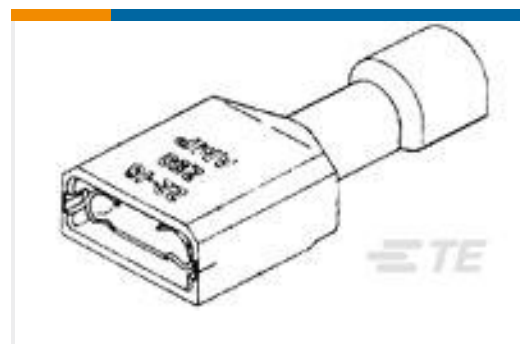


DIP & SIP Switches(8)



RJ45 Connectors(1)

Customers Also Bought

TE Part #90547-1
ASSE PRO-CRIMPER UNIV M-N-LTE Part #87631-1
06 MODIV HSG COMP DR .100 POLTE Part #5-146278-3
03 MODII HDR SRST B/A .100CLTE Part #1-406541-8
MJ,INV,1X1,0PNL G.,100"ST,SNTE Part #1-102536-1
26 AMPMODU MT COVER DR .100CLTE Part #2-520275-2
ULTRAFast 187 ASSY REC 22-18
TPBR LPTE Part #1-103239-2
12 MODII HDR SRST B/A .100CLTE Part #6-103330-7
34 MODII HDR DRRR B/A .100 CL LFTE Part #7-2151014-7
OCEAN_2.0_SPARE_PART_KIT-
042F0480

Documents

Product Drawings

V23552A2455E101=SIPAC FL 4SU

English

CAD Files

3D PDF

3D

Customer View Model

ENG_CVM_CVM_6-1393704-4_B.2d_dxf.zip



English

Customer View Model

[ENG_CVM_CVM_6-1393704-4_B.3d_igs.zip](#)

English

Customer View Model

[ENG_CVM_CVM_6-1393704-4_B.3d_stp.zip](#)

English

By downloading the CAD file I accept and agree to the [Terms and Conditions](#) of use.

Product Environmental Compliance

TE Material Declaration

English

Instruction Sheets

Mounting instruction

English

Instruction Sheet (U.S.)

English

Instructions for repairing Female connectors and shielding plates

English

Instruction Sheet (U.S.)

English

X-ON Electronics

Largest Supplier of Electrical and Electronic Components

Click to view similar products for [Automotive Connectors](#) category:

Click to view products by [TE Connectivity](#) manufacturer:

Other Similar products are found below :

[003-018-000](#) [60403001](#) [60993906-B](#) [M902-2131](#) [M902-2161](#) [M902-2344](#) [72.330.1035.1](#) [73.353.4028.0](#) [F119300-B](#) [F166900](#) [F258300-B](#)
[F358300-B](#) [F407400](#) [F444110](#) [F487000](#) [F509500B-B](#) [827153-1](#) [8N1515-32-24P](#) [9-1326729-8](#) [925474-1](#) [928905-1](#) [964562-4](#) [968782-1](#)
[GT17SA-8DS-HU](#) [98891-1012](#) [98947-1016](#) [12004147](#) [12004475-L](#) [12010290](#) [12010309-B](#) [12015454](#) [12020219-B](#) [12041318-B](#) [12052225-](#)
[L](#) [12052466](#) [12064869](#) [12004327-B](#) [12015308](#) [12015384](#) [12015909](#) [1-21030-1](#) [12041254](#) [12041318](#) [12047946-B](#) [12047957](#) [12047957-L](#)
[12059473](#) [12066261](#) [12110546](#) [12110546-B](#)