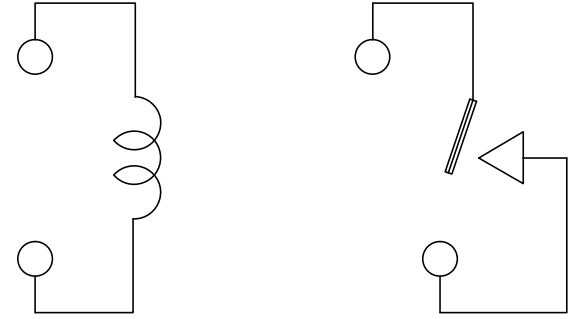
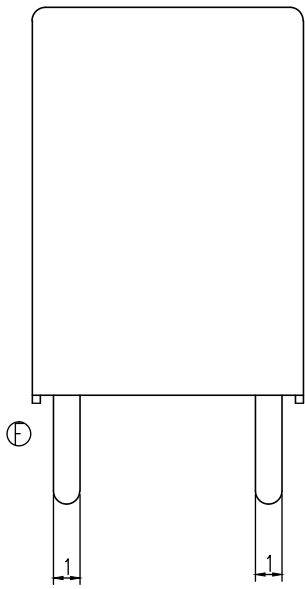
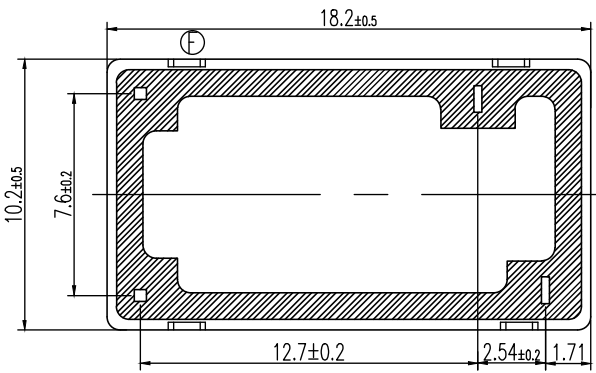
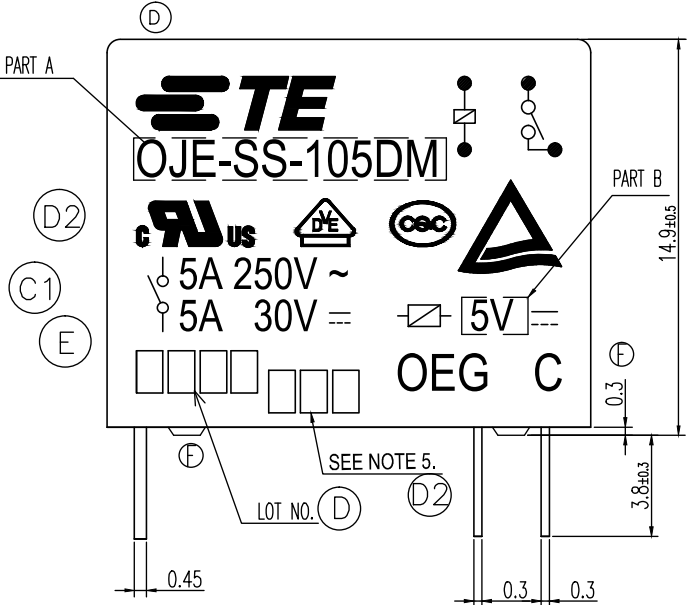
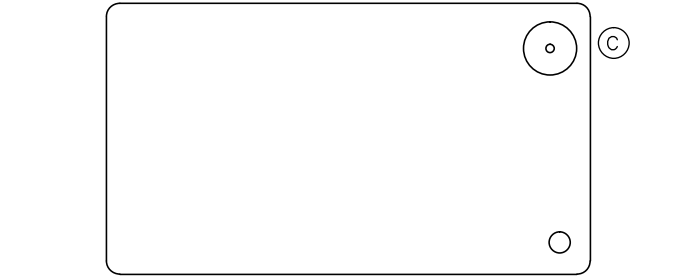


THIS DRAWING IS UNPUBLISHED. RELEASED FOR PUBLICATION  
 © COPYRIGHT - By - TE CONNECTIVITY ALL RIGHTS RESERVED.

LOC	DIST	REVISIONS			
P	LTR	DESCRIPTION	DATE	DWN	APVD
HB	-	F	REMOVED THE RIB ON THE BASE TO CASE ECO-15-011310	03Nov2015	YS.H CHL



CONNECTION FIGURE

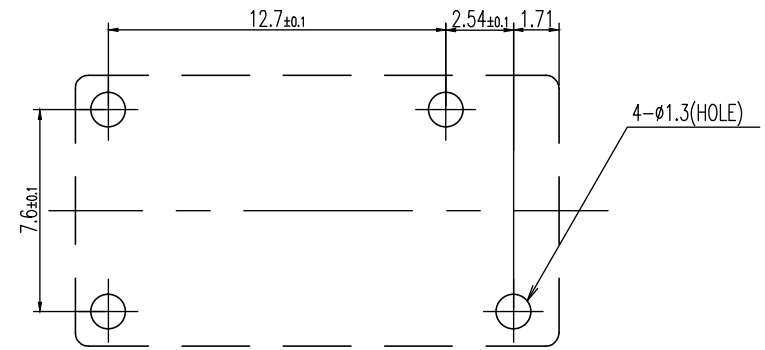


FIGURE FOR PRINTED CIRCUIT BOARD PROCESSING (BOTTOM VIEW)

Diagram dimension	Tolerance
0.99mm max.	±0.1mm
1 - 2.99mm	±0.2mm
3mm min.	±0.3mm

THIS DRAWING IS A CONTROLLED DOCUMENT.		DWN	H.Sasaki	-	<b>TE</b> TE Connectivity			
DIMENSIONS: mm		CHK	Y.Oikawa	-				
TOLERANCES UNLESS OTHERWISE SPECIFIED:		APVD	A.Nagai	-	NAME			
0 PLC ± -		PRODUCT SPEC	OJE-SS-DM CUSTOMER DRAWING					
1 PLC ± -		APPLICATION SPEC	-					
2 PLC ± -		SIZE	A3	CAGE CODE	00779	DRAWING NO	1461104	RESTRICTED TO
3 PLC ± -		WEIGHT	-			-		
4 PLC ± -		CUSTOMER DRAWING		SCALE	5:1	SHEET	1 OF 2	REV
ANGLES ± -		MATERIAL		-		F		
FINISH		-						

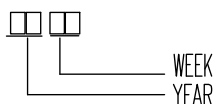
THIS DRAWING IS UNPUBLISHED. RELEASED FOR PUBLICATION - . - .  
 © COPYRIGHT - By - TE CONNECTIVITY ALL RIGHTS RESERVED.

LOC	DIST	REVISIONS					
HB	-	P	LTR	DESCRIPTION	DATE	DWN	APVD
		-		SEE SHEET 1	-	-	-

1461104-3	OJE-SS-148DM	108-79033	48V	OJE-SS-148DM	g
6-1419128-2	OJE-SS-124DM	108-79032	24V	OJE-SS-124DM	f
4-1419128-2	OJE-SS-112DM	108-79031	12V	OJE-SS-112DM	e
3-1419128-3	OJE-SS-109DM	108-79030	9V	OJE-SS-109DM	d
3-1419128-1	OJE-SS-106DM	108-79029	6V	OJE-SS-106DM	c
2-1419128-8	OJE-SS-105DM	108-79028	5V	OJE-SS-105DM	b
1461104-1	OJE-SS-103DM	108-79027	3V	OJE-SS-103DM	a
PART NO	TYPE NAME	PRODUCT SPEC	PART B	PART A	TYPE

RELAY TYPE

ⓓ Ⓞ NOTES:  
 1.LOT NO. SYSTEM AS FOLLOWING:

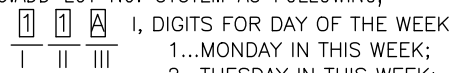


ⓓ 2.TERMINAL DIMENSION IS BEFORE SOLDER DIP;

ⓓ 3.FOR THE TIN-PLATING OF THE PINS:  
 +0.1mm FOR WIDTH,THICKENSS AND DIAMETER.  
 +0.5mm FOR LENGTH.

Ⓞ ⓓ 4.USED WELDED CONTACT&LASER MARKING.

ⓓ 5.ADD LOT NO. SYSTEM AS FOLLOWING;



I, DIGITS FOR DAY OF THE WEEK  
 1...MONDAY IN THIS WEEK;  
 2...TUESDAY IN THIS WEEK;  
 .....  
 7...SUNDAY IN THIS WEEK  
 II, DIGITS FOR SHIFT OF THE DAY  
 1...DAY SHIFT IN THIS DAY;  
 2...NIGHT SHIFT IN THIS DAY;  
 III, ONE CHARACTER

DISTINGUISH THE LINE  
 IDENTITY, SUCH AS: A,B.....Z

		EPOXY RESIN	SEAL	15
		JUEW	MAGNETIC WIRE	14
94V-0		P.B.T	CASE	13
94V-0		P.B.T	BASE	12
94V-0		P.B.T	BOBBIN	11
	SOLDER DIP	C.P WIRE	COIL TERMINAL	10
94V-0		P.P.S	CARD	9
		Ag ALLOY	MOVABLE CONTACT	8
		Ag	NO.CONTACT	7
		STEEL	HINGE SPRING	6
	SOLDER DIP	PBP	NO.TERMINAL	5
	SOLDER DIP	PBS	MOVABLE SPRING	4
	NIP	STEEL	CORE	3
	NIP	STEEL	ARMATURE	2
	NIP	STEEL	YOKE	1
INCOMBUSTIBILITY	TREATMENT	MATERIAL	DESCRIPTION	ITEM

THIS DRAWING IS A CONTROLLED DOCUMENT.		DWN	H.Sasaki	-
DIMENSIONS: mm		CHK	Y.Oikawa	-
TOLERANCES UNLESS OTHERWISE SPECIFIED:		APVD	A.Nagai	-
	0 PLC	± -	NAME	
	1 PLC	± -	OJE-SS-DM CUSTOMER DRAWING	
	2 PLC	± -	-	
	3 PLC	± -	-	
4 PLC	± -	SIZE		
ANGLES	± -	CAGE CODE		
MATERIAL	FINISH	DRAWING NO		RESTRICTED TO
-	-	A3 00779		-
CUSTOMER DRAWING		1461104		-
		WEIGHT	-	-
		SCALE 5:1		SHEET 2 OF 2
		REV F		

## X-ON Electronics

Largest Supplier of Electrical and Electronic Components

*Click to view similar products for [General Purpose Relays](#) category:*

*Click to view products by [TE Connectivity](#) manufacturer:*

Other Similar products are found below :

[PCN-105D3MH,000](#) [59641F200](#) [LY1SAC110120](#) [5X827E](#) [5X837F](#) [5X840F](#) [5X842F](#) [5X848E](#) [LY2N-AC120](#) [LY2S-AC220/240](#) [LY2-US-AC120](#) [LY3-US-AC120](#) [LY4F-UA-DC12](#) [LY4F-UA-DC24](#) [LY4F-US-AC120](#) [LY4F-US-AC240](#) [LY4F-US-DC24](#) [LY4F-VD-AC110](#) [LYQ20DC12](#) [M115C60](#) [M115N010](#) [M115N0150](#) [6031007G](#) [603-12D](#) [61211T0B4](#) [61212T400](#) [61222Q400](#) [61243B600](#) [61243C500](#) [61243Q400](#) [61311BOA2](#) [61311BOA6](#) [61311BOA8](#) [61311C0A2](#) [61311COA1](#) [61311COA6](#) [61311F0A2](#) [61311QOA1](#) [61311QOA4](#) [61311T0D6](#) [61311TOA6](#) [61311TOA7](#) [61311TOB3](#) [61311TOB4](#) [61311U0A6](#) [61312Q600](#) [61312T400](#) [61312T600](#) [61313U200](#) [61313U400](#)