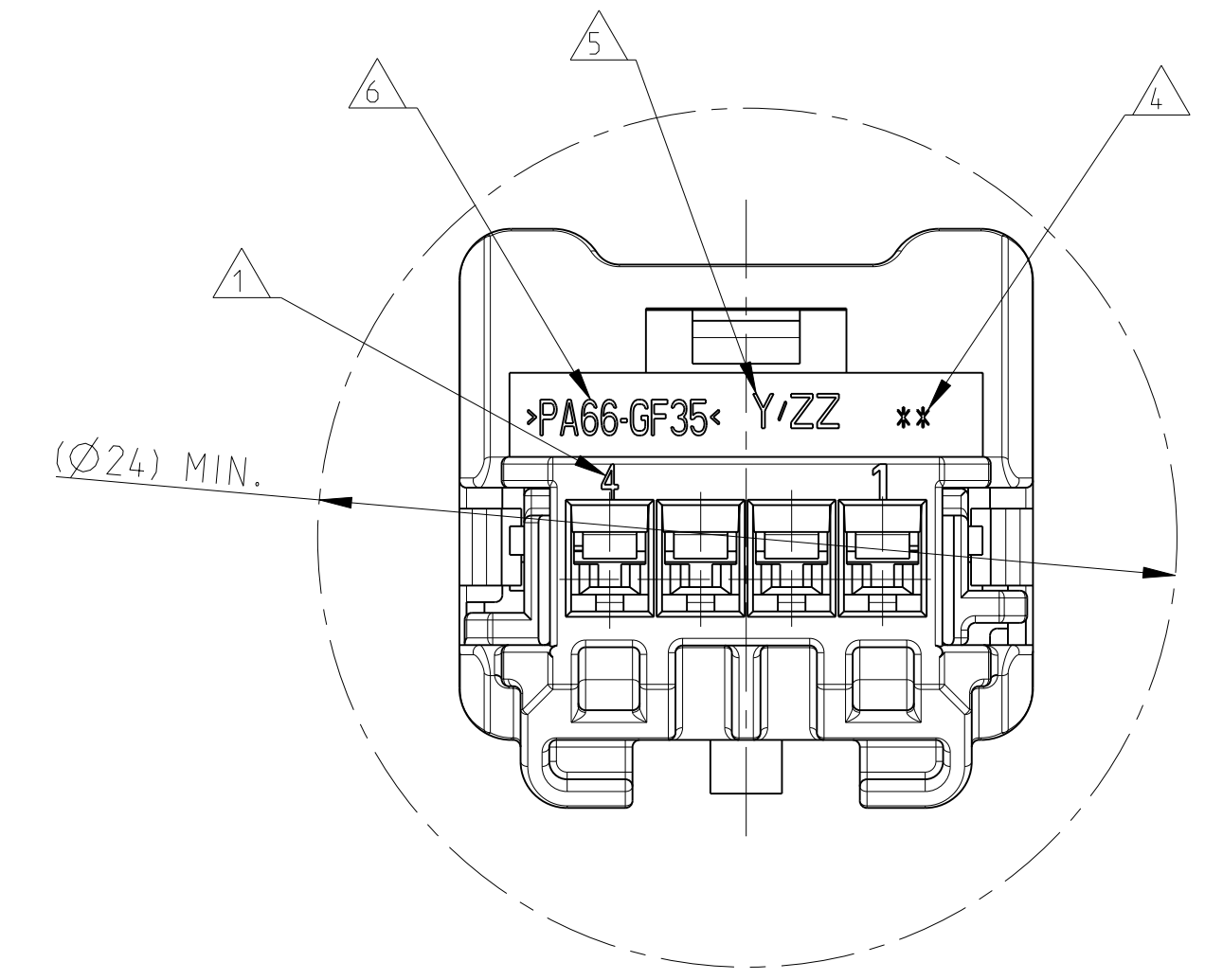
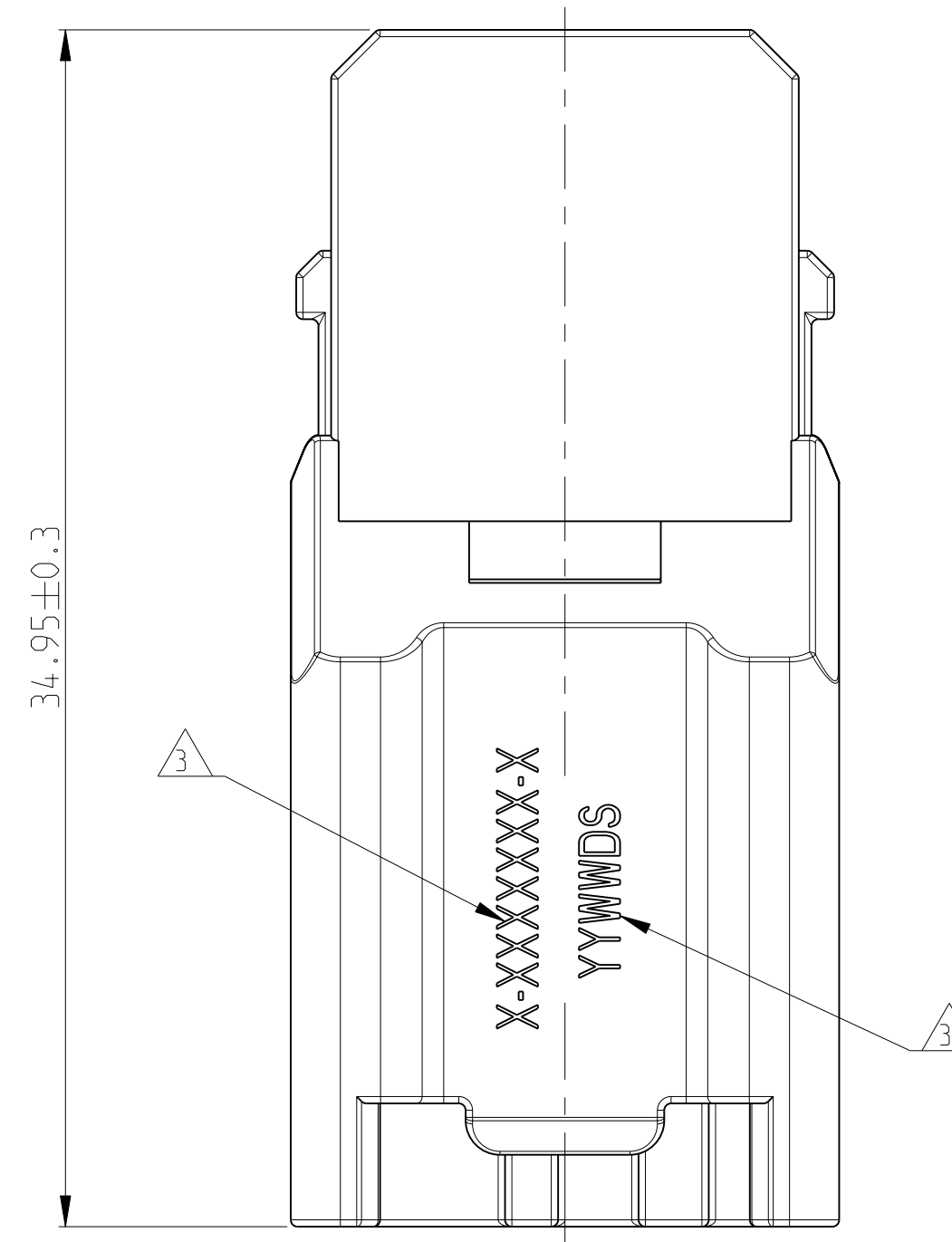
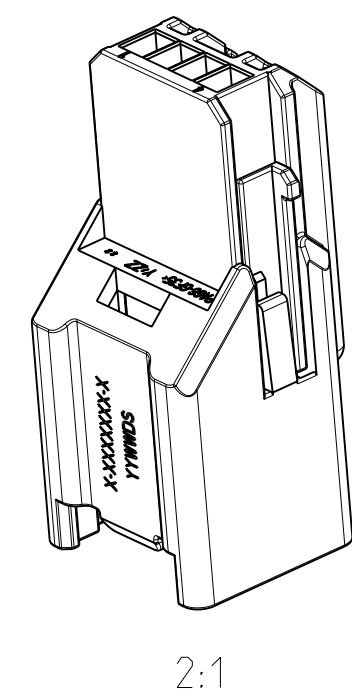
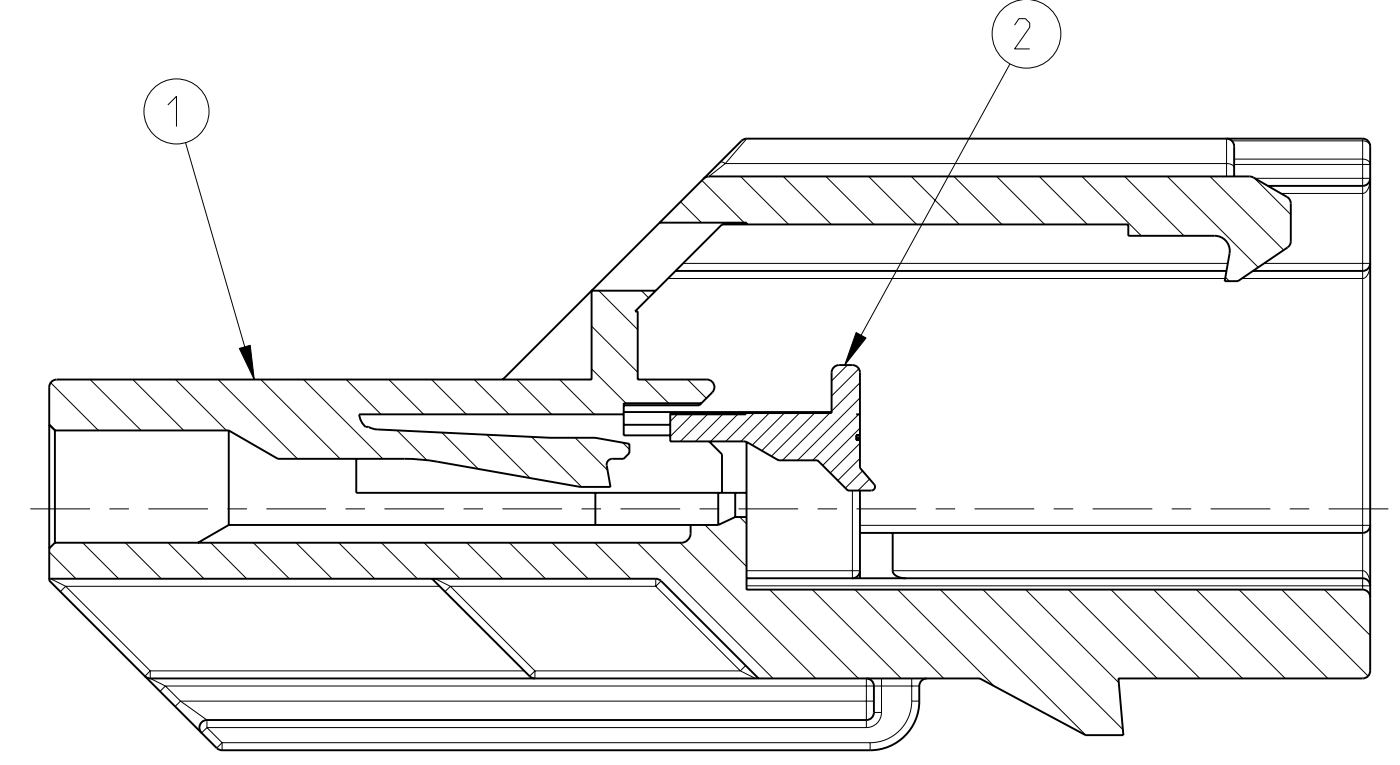
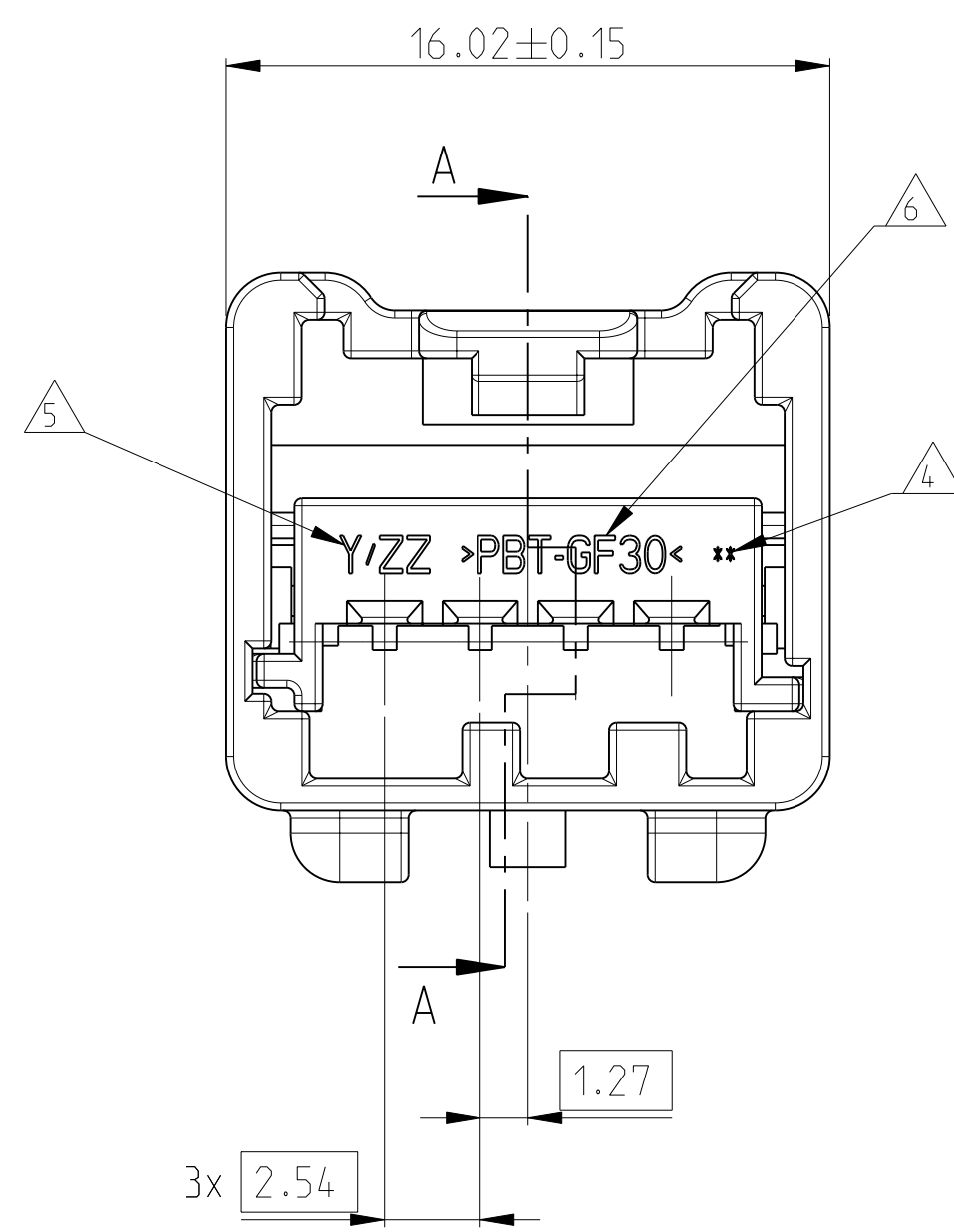
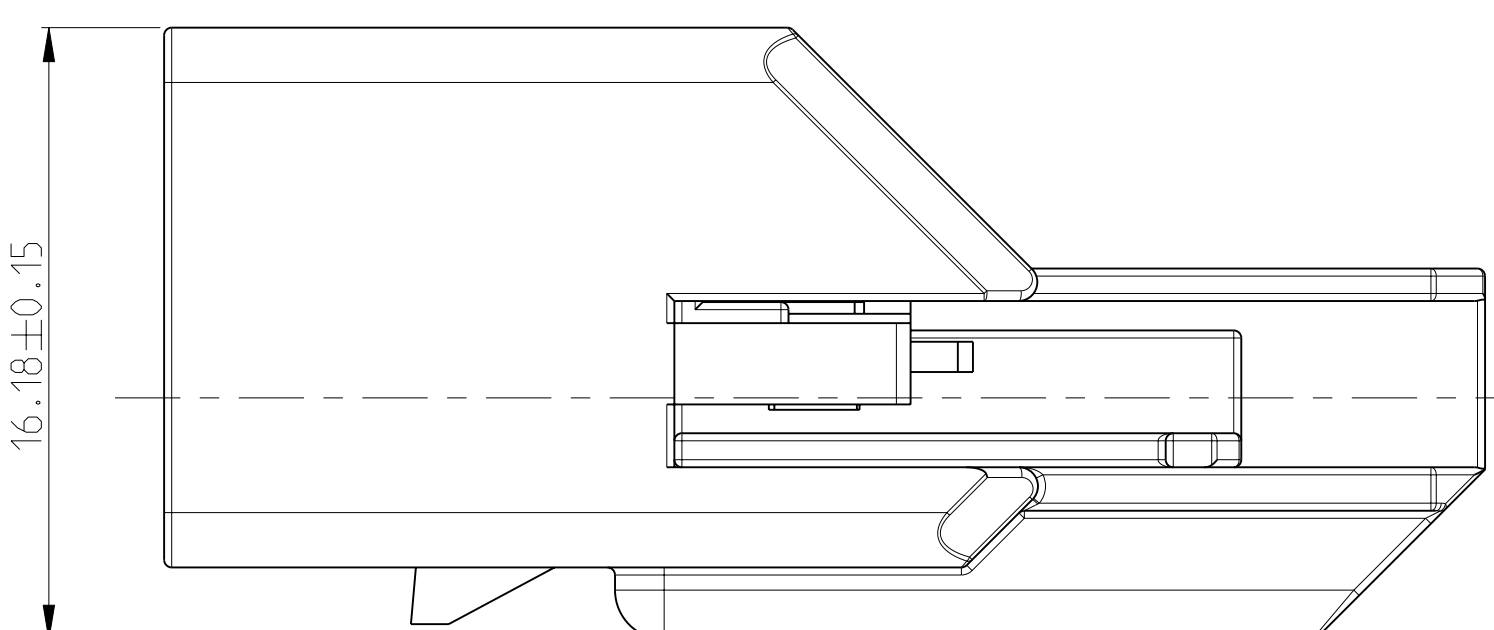
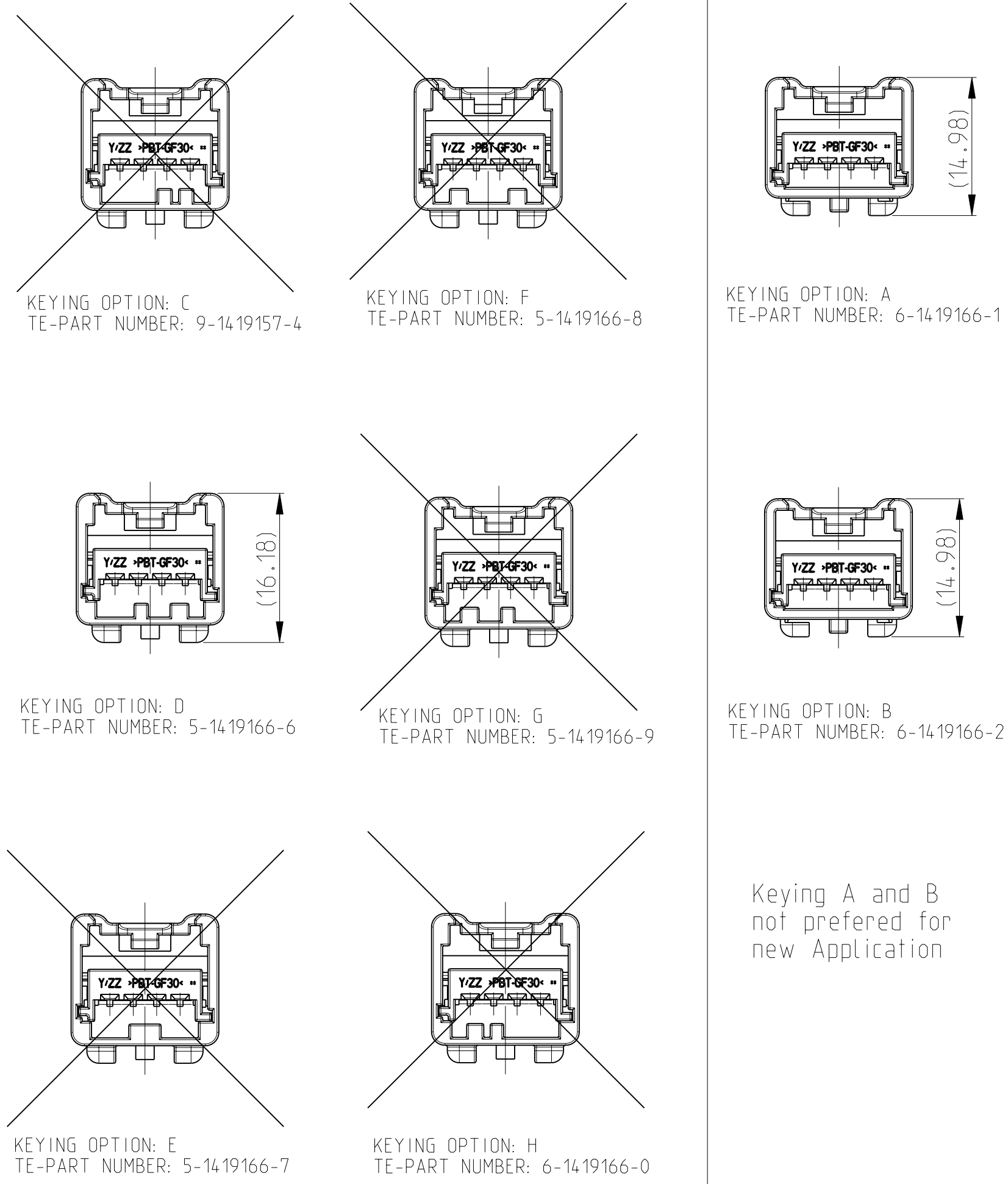


### KEYING OPTIONS



WORST CASE FEED THRU CONDITION

- NOTE:
- 1 TERMINAL POSITION NUMBERS LOCATED AS SHOWN
  - 2 DELIVERY CONDITION: SPACER IN PRE-ASSEMBLED POSITION
  - 3 TE-PART NUMBER AND DATE CODE
  - 4 PRODUCT REVISION LEVEL OPTIONAL
  - 5 TOOL NUMBER AND CAVITY NUMBER OPTIONAL
  - 6 MATERIAL IDENTIFICATION
  - 7 PACKING: CONNECTOR ASSEMBLIES BULK PACKED IN CARD BOX
  - 8 KODING D SHOWN

REV	KEYING OPTIONS							
	A	B	C	D	E	F	G	H
C	C	-	B	-	-	-	-	-
6-1419166-1	6-1419166-2	9-1419157-4	5-1419166-6	5-1419166-7	5-1419166-8	5-1419166-9	6-1419166-0	-
1	1	1	1	1	1	1	1	2
-	-	-	-	-	-	-	1	1
-	-	-	-	-	-	1	-	1
-	-	-	-	1	-	-	-	1
-	-	1	-	-	-	-	-	1
-	1	-	-	-	-	-	-	1
1	-	-	-	-	-	-	-	1
QUANTITY		ITEM		DESCRIPTION		MATERIAL		COLOR

DIMENSIONS: mm		TOLERANCES UNLESS OTHERWISE SPECIFIED:		DWN MALINAK 09MAY2001		Tyco Electronics AMP GmbH	
0 PLC		#		CHK G.Steinbach 10MAY2001		D - 64625 Bensheim	
1 PLC		#		APVD G.Steinbach 10MAY2001		NAME	
2 PLC		#		PRODUCT SPEC		1 x 4 POS. GET MALE CONNECTOR, UNSEALED ASSEMBLY	
3 PLC		#		APPLICATION SPEC		SIZE CAGE CODE DRAWING NO	
4 PLC		#		WEIGHT		A1 00779 C-9-1419157-4	
ANGLES		#		CUSTOMER DRAWING		RESTRICTED TO	
FINISH		#		SCALE 5:1		SHEET 1 OF 1	

## X-ON Electronics

Largest Supplier of Electrical and Electronic Components

*Click to view similar products for [Automotive Connectors](#) category:*

*Click to view products by [TE Connectivity](#) manufacturer:*

Other Similar products are found below :

[003-018-000](#) [600858](#) [60403001](#) [60993906-B](#) [60993913-B](#) [629515004020001](#) [M902-2131](#) [M902-2161](#) [M902-2344](#) [72.330.1035.1](#)  
[73.353.4028.0](#) [F118010](#) [F119300-B](#) [F132210](#) [F132210-B](#) [F166900](#) [F180100](#) [F258300](#) [F258300-B](#) [F294300-B](#) [F339100](#) [F339700](#) [F358300-](#)  
[B](#) [F374110](#) [F407400](#) [F412210](#) [F427600](#) [F444110](#) [F487000](#) [F495100-B](#) [F500900-B](#) [F509500B-B](#) [770444-1](#) [776880-1](#) [827153-1](#) [881735-1](#)  
[8N1515-32-24P](#) [9-1326727-8](#) [9-1326729-8](#) [925467-1](#) [925474-1](#) [928905-1](#) [936398-2](#) [964562-1](#) [964562-4](#) [964731-2](#) [965051-1](#) [968782-1](#)  
[GT17SA-8DS-HU](#) [GT17VS-10DP-5.2CF](#)