

THIS DRAWING IS UNPUBLISHED.

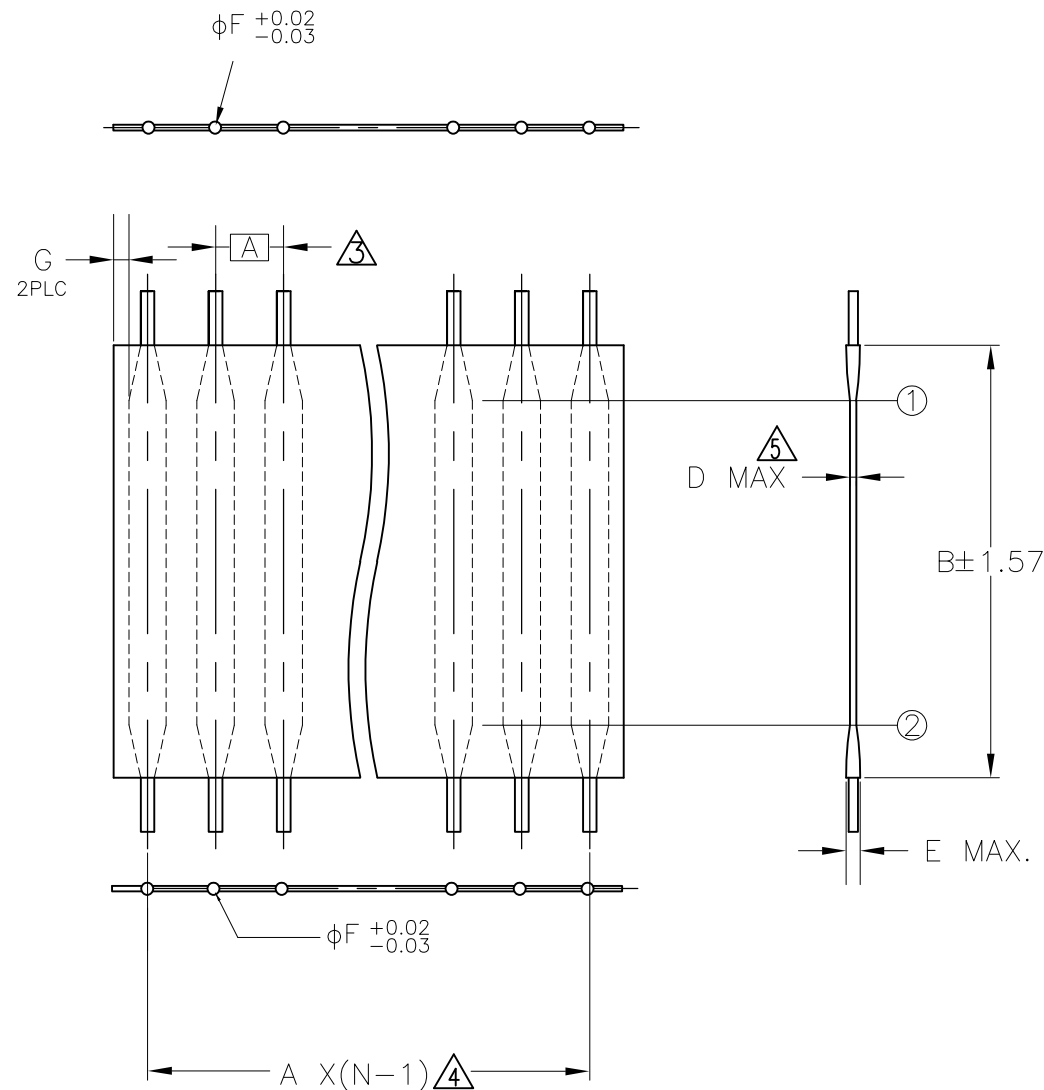
RELEASED FOR PUBLICATION

ALL RIGHTS RESERVED.

© COPYRIGHT - By -

REVISIONS

P	LTR	DESCRIPTION	DATE	DWN	APVD
	A6	REVISED	23AUG2016	H.M	N.Y



1 プリント基板スルーホール径： $\phi 0.94 \pm 0.025$ また、スルーホールピッチ公差は ± 0.127 である（参考）

2 本仕様から逸脱する場合は、必ず仕様打合わせを行うこと。

3 リード位置寸法は、リード根元寸法とする。

4 公差は以下の表を参照。

PITCH	2~30PINS	31~50PINS
2.30~5.08	± 0.35	± 0.40
1.78~2.00	± 0.30	± 0.35
0.80~1.50	± 0.30	± 0.35

5 D寸法は、①~②間のワイヤー部の厚さを指す。

1 RECOMMENDED THROUGH HOLE DIA. FOR P.C.BOARD : $\phi 0.94 \pm 0.025$
THROUGH HOLE PITCH TOLERANCE : ± 0.127

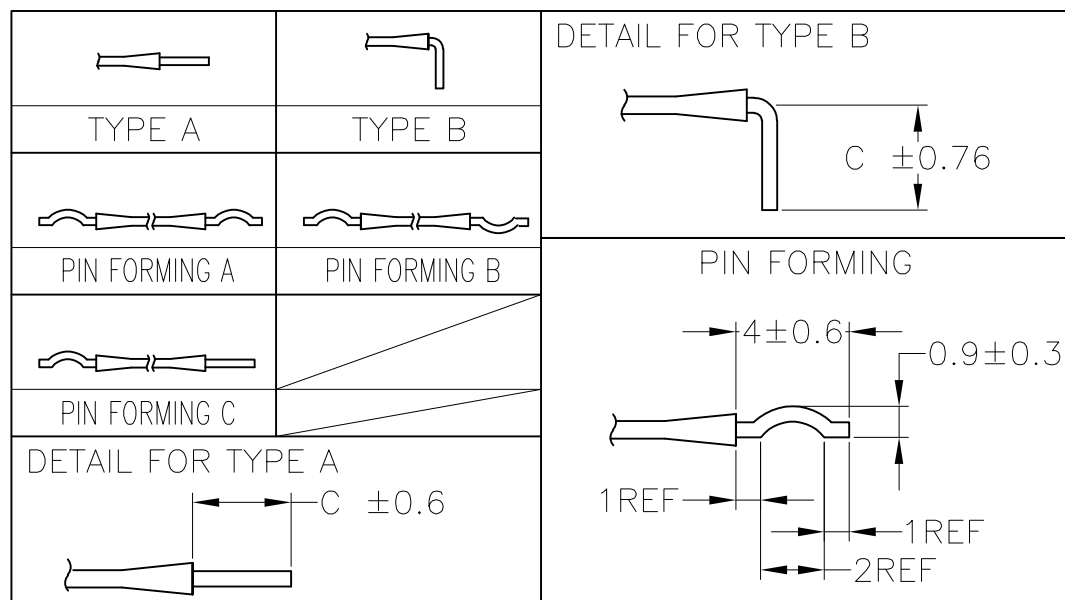
2 THE SPECIFICATION NEEDS TO BE DISCUSSED WHEN ANY OTHER CHANGE HAPPENED.

3 LEAD'S POSITIONAL DIMENSION IS MEASURED AT THE EDGE OF PAPER.

4 TOLERANCE CHART

PITCH	2~30PINS	31~50PINS
2.30~5.08	± 0.35	± 0.40
1.78~2.00	± 0.30	± 0.35
0.80~1.50	± 0.30	± 0.35

5 DIMENSION D INDICATES WIRE THICKNESS BETWEEN ① AND ②




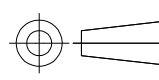
THIS DRAWING IS A CONTROLLED DOCUMENT.		DWN H.OSABE 14JAN2014	STE TE Connectivity	
		CHK M.HARASAWA 14JAN2014		
		APVD N.YAMASAKI 14JAN2014	NAME FLEXSTRIP JUMPER	
DIMENSIONS: mm		PRODUCT SPEC 108-78002		SIZE
TOLERANCES UNLESS OTHERWISE SPECIFIED:		APPLICATION SPEC		CAGE CODE
0 PLC ± -		-		DRAWING NO
1 PLC ± -		-		RESTRICTED TO
2 PLC ± -		-		SCALE
3 PLC ± -		-		SHEET
4 PLC ± -		-		1 OF 9
ANGLES ± -		-		REV
FINISH		-		A6
MATERIAL		WEIGHT 0		CUSTOMER DRAWING
		A3 00779 C-1447169		SCALE NTS

THIS DRAWING IS UNPUBLISHED. RELEASED FOR PUBLICATION
 © COPYRIGHT - By - ALL RIGHTS RESERVED.

REVISIONS				
P	LTR	DESCRIPTION	DATE	APVD
-	-	SEE SHEET 1	-	-

FS1.27N, FS1.78N SERIES

P/N	Description	Pitch (A)	Tape Length (B)	Pin Length (C)	Tape Thickness (D)	Tape Thickness (E)	Pin Diameter (F)	Margin (G)	POS
1-1447169-5	FS1.27N16A11=JUMPER NOMEX	1.27	16.0	3.18	0.35MAX	0.84MAX	φ0.32	0.25MIN	11
2-1447169-8	FS1.27N33A30=JUMPER NOMEX	1.27	33.0	3.18	0.35MAX	0.84MAX	φ0.32	0.25MIN	30
7-1447169-8	FS1.78N25.4A30=JUMPER NOMEX	1.78	25.4	3.18	0.35MAX	0.84MAX	φ0.40	0.25MIN	30
8-1447169-9	FS1.78N38.1A40=JUMPER NOMEX	1.78	38.1	3.18	0.35MAX	0.84MAX	φ0.40	0.25MIN	40
1447170-7	FS1.78N63.5A40=JUMPER NOMEX	1.78	63.5	3.18	0.35MAX	0.84MAX	φ0.40	0.25MIN	40
1447170-8	FS1.78N63.5A5=JUMPER NOMEX	1.78	63.5	3.18	0.35MAX	0.84MAX	φ0.40	0.25MIN	5
1-1447170-4	FS1.78N76.2A30=JUMPER NOMEX	1.78	76.2	3.18	0.35MAX	0.84MAX	φ0.40	0.25MIN	30

THIS DRAWING IS A CONTROLLED DOCUMENT.		DWN	-	 TE Connectivity			
DIMENSIONS: mm		CHK	-			NAME FLEXSTRIP JUMPER	
		APVD	-				
TOLERANCES UNLESS OTHERWISE SPECIFIED:		SEE SHEET 1		PRODUCT SPEC			
0 PLC ± -				108-78002			
1 PLC ± -				APPLICATION SPEC			
2 PLC ± -				SIZE CAGE CODE DRAWING NO RESTRICTED TO			
3 PLC ± -		-		A3 00779 C-1447169			
4 PLC ± -		WEIGHT		SCALE SHEET REV			
ANGLES ± -		0		NTS 2 OF 9 A6			
MATERIAL		FINISH		CUSTOMER DRAWING			
-		-					

THIS DRAWING IS UNPUBLISHED.

RELEASED FOR PUBLICATION

REVISIONS


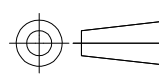
© COPYRIGHT - By -

ALL RIGHTS RESERVED.

P	LTR	DESCRIPTION	DATE	DWN	APVD
-	-	SEE SHEET 1	-	-	-

FS2.54N SERIES

P/N	Description	Pitch (A)	Tape Length (B)	Pin Length (C)	Tape Thickness (D)	Tape Thickness (E)	Pin Diameter (F)	Margin (G)	POS
9-1447170-8	FS2.54N15A18 =JUMPER NOMEX	2.54	15.0	3.18	0.35MAX	0.84MAX	φ0.51	0.25MIN	18
1447171-3	FS2.54N15A5 =JUMPER NOMEX	2.54	15.0	3.18	0.35MAX	0.84MAX	φ0.51	0.25MIN	5
1447171-5	FS2.54N15A8 =JUMPER NOMEX	2.54	15.0	3.18	0.35MAX	0.84MAX	φ0.51	0.25MIN	8
1447171-6	FS2.54N16A10 =JUMPER NOMEX	2.54	16.0	3.18	0.35MAX	0.84MAX	φ0.51	0.25MIN	10
2-1447171-0	FS2.54N17A8 =JUMPER NOMEX	2.54	17.0	3.18	0.35MAX	0.84MAX	φ0.51	0.25MIN	8
2-1447171-6	FS2.54N18A4 =JUMPER NOMEX	2.54	18.0	3.18	0.35MAX	0.84MAX	φ0.51	0.25MIN	4
3-1447171-5	FS2.54N20A20 =JUMPER NOMEX	2.54	20.0	3.18	0.35MAX	0.84MAX	φ0.51	0.25MIN	20
4-1447171-1	FS2.54N21A12 =JUMPER NOMEX	2.54	21.0	3.18	0.35MAX	0.84MAX	φ0.51	0.25MIN	12
4-1447171-9	FS2.54N30A10 =JUMPER NOMEX	2.54	30.0	3.18	0.35MAX	0.84MAX	φ0.51	0.25MIN	10
5-1447171-8	FS2.54N30A15 =JUMPER NOMEX	2.54	30.0	3.18	0.35MAX	0.84MAX	φ0.51	0.25MIN	15
6-1447171-2	FS2.54N30A17 =JUMPER NOMEX	2.54	30.0	3.18	0.35MAX	0.84MAX	φ0.51	0.25MIN	17
6-1447171-3	FS2.54N30A18 =JUMPER NOMEX	2.54	30.0	3.18	0.35MAX	0.84MAX	φ0.51	0.25MIN	18
6-1447171-6	FS2.54N30A20 =JUMPER NOMEX	2.54	30.0	3.18	0.35MAX	0.84MAX	φ0.51	0.25MIN	20
8-1447171-3	FS2.54N30A1 =JUMPER NOMEX	2.54	30.0	3.18	0.35MAX	0.84MAX	φ0.51	0.25MIN	4
8-1447171-5	FS2.54N30A7 =JUMPER NOMEX	2.54	30.0	3.18	0.35MAX	0.84MAX	φ0.51	0.25MIN	7
8-1447171-8	FS2.54N30A9 =JUMPER NOMEX	2.54	30.0	3.18	0.35MAX	0.84MAX	φ0.51	0.25MIN	9
9-1447171-0	FS2.54N33A10 =JUMPER NOMEX	2.54	33.0	3.18	0.35MAX	0.84MAX	φ0.51	0.25MIN	10
9-1447171-3	FS2.54N35A13 =JUMPER NOMEX	2.54	35.0	3.18	0.35MAX	0.84MAX	φ0.51	0.25MIN	13
9-1447171-8	FS2.54N35A19 =JUMPER NOMEX	2.54	35.0	3.18	0.35MAX	0.84MAX	φ0.51	0.25MIN	19
2-1447172-0	FS2.54N40A22P39 =JUMPER NOMEX	2.54	40.0	3.90	0.35MAX	0.84MAX	φ0.51	0.25MIN	22
2-1447172-9	FS2.54N40A28 =JUMPER NOMEX	2.54	40.0	3.18	0.35MAX	0.84MAX	φ0.51	0.25MIN	28
3-1447172-5	FS2.54N40A6 =JUMPER NOMEX	2.54	40.0	3.18	0.35MAX	0.84MAX	φ0.51	0.25MIN	6
3-1447172-7	FS2.54N40A8 =JUMPER NOMEX	2.54	40.0	3.18	0.35MAX	0.84MAX	φ0.51	0.25MIN	8
1473635-1	FS2.54N42A20 =JUMPER NOMEX	2.54	42.0	3.18	0.35MAX	0.84MAX	φ0.51	0.25MIN	20
1717056-4	FS2.54N55A15 =JUMPER NOMEX	2.54	55.0	3.18	0.35MAX	0.84MAX	φ0.51	0.25MIN	15
5-1447172-2	FS2.54N55A18 =JUMPER NOMEX	2.54	55.0	3.18	0.35MAX	0.84MAX	φ0.51	0.25MIN	18
5-1447172-6	FS2.54N55A30 =JUMPER NOMEX	2.54	55.0	3.18	0.35MAX	0.84MAX	φ0.51	0.25MIN	30
1717056-3	FS2.54N55A5 =JUMPER NOMEX	2.54	55.0	3.18	0.35MAX	0.84MAX	φ0.51	0.25MIN	5
5-1447172-9	FS2.54N68A22 =JUMPER NOMEX	2.54	58.0	3.18/4.5	0.35MAX	0.84MAX	φ0.51	0.25MIN	22
6-1447172-3	FS2.54N70A17PA =JUMPER (PA4.0)	2.54	70.0	4.00	0.35MAX	0.84MAX	φ0.51	0.25MIN	17

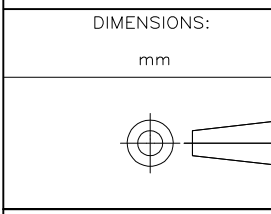
THIS DRAWING IS A CONTROLLED DOCUMENT.		DWN	-	 TE Connectivity			
DIMENSIONS: mm		CHK	-			FLEXSTRIP JUMPER	
		APVD	-				
TOLERANCES UNLESS OTHERWISE SPECIFIED:		SEE SHEET 1		PRODUCT SPEC 108-78002			
0 PLC ± - 1 PLC ± - 2 PLC ± - 3 PLC ± - 4 PLC ± - ANGLES ± -		APPLICATION SPEC -		SIZE CAGE CODE DRAWING NO RESTRICTED TO - A3 00779 C-1447169 -			
MATERIAL		WEIGHT		SCALE SHEET REV			
-		0		NTS 3 of 9 A6			
CUSTOMER DRAWING							

P	LTR	DESCRIPTION	DATE	DWN	APVD
-	-	SEE SHEET 1	-	-	-

FS2N SERIES NO.2

P/N	Description	Pitch (A)	Tape Length (B)	Pin Length (C)	Tape Thickness (D)	Tape Thickness (E)	Pin Diameter (F)	Margh (G)	POS
1447177-1	FS2N38.1A0 =JUMPER NOMEX	2.00	38.1	3.18	0.35MAX	0.84MAX	φ0.40	0.25MIN	9
1447177-7	FS2N38.1B12 =JUMPER NOMEX	2.00	38.1	3.18	0.35MAX	0.84MAX	φ0.40	0.25MIN	12
1-1447177-4	FS2N40A14 =JUMPER NOMEX	2.00	40.0	3.18	0.35MAX	0.84MAX	φ0.40	0.25MIN	14
2-1447177-2	FS2N42A11 =JUMPER NOMEX	2.00	42.0	3.18	0.35MAX	0.84MAX	φ0.40	0.25MIN	11
2-1447177-3	FS2N42A15 =JUMPER NOMEX	2.00	42.0	3.18	0.35MAX	0.84MAX	φ0.40	0.25MIN	15
2-1447177-5	FS2N42A9 =JUMPER NOMEX	2.00	42.0	3.18	0.35MAX	0.84MAX	φ0.40	0.25MIN	9
3-1447177-2	FS2N50.8A10 =JUMPER NOMEX	2.00	50.8	3.18	0.35MAX	0.84MAX	φ0.40	0.25MIN	10
3-1447177-5	FS2N50.8A11 =JUMPER NOMEX	2.00	50.8	3.18	0.35MAX	0.84MAX	φ0.40	0.25MIN	11
3-1447177-8	FS2N50.8A12 =JUMPER NOMEX	2.00	50.8	3.18	0.35MAX	0.84MAX	φ0.40	0.25MIN	12
4-1447177-1	FS2N50.8A13 =JUMPER NOMEX	2.00	50.8	3.18	0.35MAX	0.84MAX	φ0.40	0.25MIN	13
4-1447177-2	FS2N50.8A14 =JUMPER NOMEX	2.00	50.8	3.18	0.35MAX	0.84MAX	φ0.40	0.25MIN	14
4-1447177-4	FS2N50.8A15 =JUMPER NOMEX	2.00	50.8	3.18	0.35MAX	0.84MAX	φ0.40	0.25MIN	15
5-1447177-2	FS2N50.8A16 =JUMPER NOMEX	2.00	50.8	3.18	0.35MAX	0.84MAX	φ0.40	0.25MIN	16
5-1447177-5	FS2N50.8A17 =JUMPER NOMEX	2.00	50.8	3.18	0.35MAX	0.84MAX	φ0.40	0.25MIN	17
5-1447177-6	FS2N50.8A18 =JUMPER NOMEX	2.00	50.8	3.18	0.35MAX	0.84MAX	φ0.40	0.25MIN	18
5-1447177-8	FS2N50.8A19 =JUMPER NOMEX	2.00	50.8	3.18	0.35MAX	0.84MAX	φ0.40	0.25MIN	19
6-1447177-0	FS2N50.8A2 =JUMPER NOMEX	2.00	50.8	3.18	0.35MAX	0.84MAX	φ0.40	0.25MIN	2
6-1447177-3	FS2N50.8A20PA =JUMPER NOMEX	2.00	50.8	4.00	0.35MAX	0.84MAX	φ0.40	0.25MIN	20
6-1447177-4	FS2N50.8A21 =JUMPER NOMEX	2.00	50.8	3.18	0.35MAX	0.84MAX	φ0.40	0.25MIN	21
6-1447177-6	FS2N50.8A22 =JUMPER NOMEX	2.00	50.8	3.18	0.35MAX	0.84MAX	φ0.40	0.25MIN	22
6-1447177-8	FS2N50.8A23 =JUMPER NOMEX	2.00	50.8	3.18	0.35MAX	0.84MAX	φ0.40	0.25MIN	23
6-1447177-9	FS2N50.8A24 =JUMPER NOMEX	2.00	50.8	3.18	0.35MAX	0.84MAX	φ0.40	0.25MIN	24
7-1447177-1	FS2N50.8A25 =JUMPER NOMEX	2.00	50.8	3.18	0.35MAX	0.84MAX	φ0.40	0.25MIN	25
7-1447177-2	FS2N50.8A26 =JUMPER NOMEX	2.00	50.8	3.18	0.35MAX	0.84MAX	φ0.40	0.25MIN	26
7-1447177-5	FS2N50.8A3 =JUMPER NOMEX	2.00	50.8	3.18	0.35MAX	0.84MAX	φ0.40	0.25MIN	3
7-1447177-6	FS2N50.8A30 =JUMPER NOMEX	2.00	50.8	3.18	0.35MAX	0.84MAX	φ0.40	0.25MIN	30
7-1447177-9	FS2N50.8A33 =JUMPER NOMEX	2.00	50.8	3.18	0.35MAX	0.84MAX	φ0.40	0.25MIN	33
8-1447177-4	FS2N50.8A1 =JUMPER NOMEX	2.00	50.8	3.18	0.35MAX	0.84MAX	φ0.40	0.25MIN	4
8-1447177-5	FS2N50.8A40 =JUMPER NOMEX	2.00	50.8	3.18	0.35MAX	0.84MAX	φ0.40	0.25MIN	40
8-1447177-9	FS2N50.8A6 =JUMPER NOMEX	2.00	50.8	3.18	0.35MAX	0.84MAX	φ0.40	0.25MIN	6
9-1447177-1	FS2N50.8A7 =JUMPER NOMEX	2.00	50.8	3.18	0.35MAX	0.84MAX	φ0.40	0.25MIN	7
9-1447177-4	FS2N50.8A8 =JUMPER NOMEX	2.00	50.8	3.18	0.35MAX	0.84MAX	φ0.40	0.25MIN	8
9-1447177-6	FS2N50.8A9 =JUMPER NOMEX	2.00	50.8	3.18	0.35MAX	0.84MAX	φ0.40	0.25MIN	9
9-1447177-8	FS2N50.8A6 =JUMPER NOMEX	2.00	50.8	3.18	0.35MAX	0.84MAX	φ0.40	0.25MIN	6
1447178-8	FS2N63.5A12 =JUMPER NOMEX	2.00	63.5	3.18	0.35MAX	0.84MAX	φ0.40	0.25MIN	12
1447178-9	FS2N63.5A13 =JUMPER NOMEX	2.00	63.5	3.18	0.35MAX	0.84MAX	φ0.40	0.25MIN	13
1-1447178-1	FS2N63.5A15 =JUMPER NOMEX	2.00	63.5	3.18	0.35MAX	0.84MAX	φ0.40	0.25MIN	15
1-1447178-5	FS2N63.5A16PA =JUMPER (PA4.0)	2.00	63.5	4.00	0.35MAX	0.84MAX	φ0.40	0.25MIN	16
2-1447178-1	FS2N63.5A20 =JUMPER NOMEX	2.00	63.5	3.18	0.35MAX	0.84MAX	φ0.40	0.25MIN	20
2-1447178-3	FS2N63.5A21 =JUMPER NOMEX	2.00	63.5	3.18	0.35MAX	0.84MAX	φ0.40	0.25MIN	21
2-1447178-5	FS2N63.5A25 =JUMPER NOMEX	2.00	63.5	3.18	0.35MAX	0.84MAX	φ0.40	0.25MIN	25
2-1447178-8	FS2N63.5A28 =JUMPER NOMEX	2.00	63.5	3.18	0.35MAX	0.84MAX	φ0.40	0.25MIN	28
2-1447178-9	FS2N63.5A3 =JUMPER NOMEX	2.00	63.5	3.18	0.35MAX	0.84MAX	φ0.40	0.25MIN	3
3-1447178-0	FS2N63.5A30 =JUMPER NOMEX	2.00	63.5	3.18	0.35MAX	0.84MAX	φ0.40	0.25MIN	30
3-1447178-8	FS2N63.5A4 =JUMPER NOMEX	2.00	63.5	3.18	0.35MAX	0.84MAX	φ0.40	0.25MIN	4
3-1447178-9	FS2N63.5A5 =JUMPER NOMEX	2.00	63.5	3.18	0.35MAX	0.84MAX	φ0.40	0.25MIN	5
4-1447178-1	FS2N63.5A6 =JUMPER NOMEX	2.00	63.5	3.18	0.35MAX	0.84MAX	φ0.40	0.25MIN	6
4-1447178-3	FS2N63.5A9 =JUMPER NOMEX	2.00	63.5	3.18	0.35MAX	0.84MAX	φ0.40	0.25MIN	8
4-1447178-4	FS2N63.5A9 =JUMPER NOMEX	2.00	63.5	3.18	0.35MAX	0.84MAX	φ0.40	0.25MIN	9
5-1447178-0	FS2N72A25 =JUMPER NOMEX	2.00	72.0	3.18	0.35MAX	0.84MAX	φ0.40	0.25MIN	25
5-1447178-1	FS2N72A28 =JUMPER NOMEX	2.00	72.0	3.18	0.35MAX	0.84MAX	φ0.40	0.25MIN	28
5-1447178-2	FS2N72A32 =JUMPER NOMEX	2.00	72.0	3.18	0.35MAX	0.84MAX	φ0.40	0.25MIN	32
5-1447178-9	FS2N76.2A12 =JUMPER NOMEX	2.00	76.2	3.18	0.35MAX	0.84MAX	φ0.40	0.25MIN	12
6-1447178-2	FS2N76.2A14 =JUMPER NOMEX	2.00	76.2	3.18	0.35MAX	0.84MAX	φ0.40	0.25MIN	14
7-1447178-1	FS2N76.2A20 =JUMPER NOMEX	2.00	76.2	3.18	0.35MAX	0.84MAX	φ0.40	0.25MIN	20
7-1447178-2	FS2N76.2A20PA =JUMPER NOMEX	2.00	76.2	4.00	0.35MAX	0.84MAX	φ0.40	0.25MIN	20
7-1447178-4	FS2N76.2A26 =JUMPER NOMEX	2.00	76.2	3.18	0.35MAX	0.84MAX	φ0.40	0.25MIN	26
7-1447178-5	FS2N76.2A28 =JUMPER NOMEX	2.00	76.2	3.18	0.35MAX	0.84MAX	φ0.40	0.25MIN	28
8-1447178-1	FS2N76.2A4 =JUMPER NOMEX	2.00	76.2	3.18	0.35MAX	0.84MAX	φ0.40	0.25MIN	4
1376986-1	FS2N76.2A10 =JUMPER NOMEX	2.00	76.2	3.18	0.35MAX	0.84MAX	φ0.40	0.25MIN	40
8-1447178-4	FS2N76.2A5 =JUMPER NOMEX	2.00	76.2	3.18	0.35MAX	0.84MAX	φ0.40	0.25MIN	5
8-1447178-6	FS2N76.2A6 =JUMPER NOMEX	2.00	76.2	3.18	0.35MAX	0.84MAX	φ0.40	0.25MIN	6
8-1447178-7	FS2N76.2A7 =JUMPER NOMEX	2.00	76.2	3.18	0.35MAX	0.84MAX	φ0.40	0.25MIN	7
8-1447178-8	FS2N76.2A8 =JUMPER NOMEX	2.00	76.2	3.18	0.35MAX	0.84MAX	φ0.40	0.25MIN	8
9-1447178-5	FS2N80A28 =JUMPER NOMEX	2.00	80.0	3.18	0.35MAX	0.84MAX	φ0.40	0.25MIN	28
9-1447178-6	FS2N80A32 =JUMPER NOMEX	2.00	80.0	3.18	0.35MAX	0.84MAX	φ0.40	0.25MIN	32
1447179-2	FS2N88.9A10 =JUMPER NOMEX	2.00	88.9	3.18	0.35MAX	0.84MAX	φ0.40	0.25MIN	10
1447179-4	FS2N88.9A12 =JUMPER NOMEX	2.00	88.9	3.18	0.35MAX	0.84MAX	φ0.40	0.25MIN	12
1-1447179-6	FS2N88.9A20PA =JUMPER (PA4.0)	2.00	88.9	4.00	0.35MAX	0.84MAX	φ0.40	0.25MIN	20
2-1447179-6	FS2N88.9A6 =JUMPER NOMEX	2.00	88.9	3.18	0.35MAX	0.84MAX	φ0.40	0.25MIN	6
2-1447179-8	FS2N88.9A8 =JUMPER NOMEX	2.00	88.9	3.18	0.35MAX	0.84MAX	φ0.40	0.25MIN	8

THIS DRAWING IS A CONTROLLED DOCUMENT.



MATERIAL FINISH

DWN

CHK

APVD

PRODUCT SPEC

108-78002

APPLICATION SPEC

WEIGHT

0

SEE SHEET 1



NAME

FLEXSTRIP JUMPER

SIZE

CAGE CODE

DRAWING NO

RESTRICTED TO

A3 00779

C-1447169

SCALE

NTS

SHEET

5 of 9

REV

A6

THIS DRAWING IS UNPUBLISHED.

RELEASED FOR PUBLICATION

REVISIONS


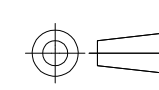
© COPYRIGHT - By -

ALL RIGHTS RESERVED.

P	LTR	DESCRIPTION	DATE	DWN	APVD
-	-	SEE SHEET 1	-	-	-

FSN SERIES NO.1

P/N	Description	Pitch (A)	Tape Length (B)	Pin Length (C)	Tape Thickness (D)	Tape Thickness (E)	Pin Diameter (F)	Margin (G)	POS
6-1447182-9	FSN-1.5A-10= JUMPER NOMEX	1.27	12.7	3.18	0.35MAX	0.84MAX	ø 0.32	0.25MIN	10
7-1447182-1	FSN-1.5A-12= JUMPER NOMEX	1.27	12.7	3.18	0.35MAX	0.84MAX	ø 0.32	0.25MIN	12
3-1437127-7	FSN-1.5A-13= JUMPER NOMEX	1.27	12.7	3.18	0.35MAX	0.84MAX	ø 0.32	0.25MIN	13
4-1437127-1	FSN-1.5A-17= JUMPER NOMEX	1.27	12.7	3.18	0.35MAX	0.84MAX	ø 0.32	0.25MIN	17
4-1437127-2	FSN-1.5A-18= JUMPER NOMEX	1.27	12.7	3.18	0.35MAX	0.84MAX	ø 0.32	0.25MIN	18
7-1447182-4	FSN-1.5A-19= JUMPER NOMEX	1.27	12.7	3.18	0.35MAX	0.84MAX	ø 0.32	0.25MIN	19
4-1437127-3	FSN-1.5A-20= JUMPER NOMEX	1.27	12.7	3.18	0.35MAX	0.84MAX	ø 0.32	0.25MIN	20
7-1447182-7	FSN-1.5A-22= JUMPER NOMEX	1.27	12.7	3.18	0.35MAX	0.84MAX	ø 0.32	0.25MIN	22
4-1437127-8	FSN-1.5A-25= JUMPER NOMEX	1.27	12.7	3.18	0.35MAX	0.84MAX	ø 0.32	0.25MIN	25
8-1447182-0	FSN-1.5A-3= JUMPER NOMEX	1.27	12.7	3.18	0.35MAX	0.84MAX	ø 0.32	0.25MIN	3
5-1437127-1	FSN-1.5A-32= JUMPER NOMEX	1.27	12.7	3.18	0.35MAX	0.84MAX	ø 0.32	0.25MIN	32
5-1437127-6	FSN-1.5A-5= JUMPER NOMEX	1.27	12.7	3.18	0.35MAX	0.84MAX	ø 0.32	0.25MIN	5
8-1447182-3	FSN-1.5A-6= JUMPER NOMEX	1.27	12.7	3.18	0.35MAX	0.84MAX	ø 0.32	0.25MIN	6
1437129-6	FSN-11.5A-10= JUMPER NOMEX	1.27	38.1	3.18	0.35MAX	0.84MAX	ø 0.32	0.25MIN	10
8-1447182-9	FSN-11.5A-13= JUMPER NOMEX	1.27	38.1	3.18	0.35MAX	0.84MAX	ø 0.32	0.25MIN	13
9-1447182-0	FSN-11.5A-16= JUMPER NOMEX	1.27	38.1	3.18	0.35MAX	0.84MAX	ø 0.32	0.25MIN	16
1-1437129-1	FSN-11.5A-18= JUMPER NOMEX	1.27	38.1	3.18	0.35MAX	0.84MAX	ø 0.32	0.25MIN	18
1-1437129-3	FSN-11.5A-20= JUMPER NOMEX	1.27	38.1	3.18	0.35MAX	0.84MAX	ø 0.32	0.25MIN	20
9-1447182-4	FSN-11.5A-22= JUMPER NOMEX	1.27	38.1	3.18	0.35MAX	0.84MAX	ø 0.32	0.25MIN	22
9-1447182-8	FSN-11.5A-25= JUMPER NOMEX	1.27	38.1	3.18	0.35MAX	0.84MAX	ø 0.32	0.25MIN	25
1447183-6	FSN-11.5A-4= JUMPER NOMEX	1.27	38.1	3.18	0.35MAX	0.84MAX	ø 0.32	0.25MIN	4
2-1437129-2	FSN-11.5A-5= JUMPER NOMEX	1.27	38.1	3.18	0.35MAX	0.84MAX	ø 0.32	0.25MIN	5
2-1437129-5	FSN-11.5A-7= JUMPER NOMEX	1.27	38.1	3.18	0.35MAX	0.84MAX	ø 0.32	0.25MIN	7
2-1437129-6	FSN-11.5A-8= JUMPER NOMEX	1.27	38.1	3.18	0.35MAX	0.84MAX	ø 0.32	0.25MIN	8
2-1437129-7	FSN-11.5A-9= JUMPER NOMEX	1.27	38.1	3.18	0.35MAX	0.84MAX	ø 0.32	0.25MIN	9
1437130-4	FSN-11A-10= JUMPER NOMEX	1.27	25.4	3.18	0.35MAX	0.84MAX	ø 0.32	0.25MIN	10
1437130-8	FSN-11A-12= JUMPER NOMEX	1.27	25.4	3.18	0.35MAX	0.84MAX	ø 0.32	0.25MIN	12
1-1437130-1	FSN-11A-14= JUMPER NOMEX	1.27	25.4	3.18	0.35MAX	0.84MAX	ø 0.32	0.25MIN	14
1-1437130-3	FSN-11A-15= JUMPER NOMEX	1.27	25.4	3.18	0.35MAX	0.84MAX	ø 0.32	0.25MIN	15
1-1437130-4	FSN-11A-16= JUMPER NOMEX	1.27	25.4	3.18	0.35MAX	0.84MAX	ø 0.32	0.25MIN	16
1-1437130-6	FSN-11A-18= JUMPER NOMEX	1.27	25.4	3.18	0.35MAX	0.84MAX	ø 0.32	0.25MIN	18
1-1437130-9	FSN-11A-20= JUMPER NOMEX	1.27	25.4	3.18	0.35MAX	0.84MAX	ø 0.32	0.25MIN	20
2-1437130-1	FSN-11A-22= JUMPER NOMEX	1.27	25.4	3.18	0.35MAX	0.84MAX	ø 0.32	0.25MIN	22
2-1437130-2	FSN-11A-23= JUMPER NOMEX	1.27	25.4	3.18	0.35MAX	0.84MAX	ø 0.32	0.25MIN	23
2-1437130-3	FSN-11A-24= JUMPER NOMEX	1.27	25.4	3.18	0.35MAX	0.84MAX	ø 0.32	0.25MIN	24
2-1437130-5	FSN-11A-26= JUMPER NOMEX	1.27	25.4	3.18	0.35MAX	0.84MAX	ø 0.32	0.25MIN	26
1-1447183-7	FSN-11A-27= JUMPER NOMEX	1.27	25.4	3.18	0.35MAX	0.84MAX	ø 0.32	0.25MIN	27
2-1437130-6	FSN-11A-28= JUMPER NOMEX	1.27	25.4	3.18	0.35MAX	0.84MAX	ø 0.32	0.25MIN	28
2-1437130-9	FSN-11A-30= JUMPER NOMEX	1.27	25.4	3.18	0.35MAX	0.84MAX	ø 0.32	0.25MIN	30
3-1437130-3	FSN-11A-5= JUMPER NOMEX	1.27	25.4	3.18	0.35MAX	0.84MAX	ø 0.32	0.25MIN	5
3-1437130-4	FSN-11A-6= JUMPER NOMEX	1.27	25.4	3.18	0.35MAX	0.84MAX	ø 0.32	0.25MIN	6
3-1437130-6	FSN-11A-8= JUMPER NOMEX	1.27	25.4	3.18	0.35MAX	0.84MAX	ø 0.32	0.25MIN	8
2-1447183-1	FSN-11A-8PL2.5= JUMPER NOMEX	1.27	25.4	2.50	0.35MAX	0.84MAX	ø 0.32	0.25MIN	8
2-1447183-7	FSN-12.5A-13= JUMPER NOMEX	1.27	63.5	3.18	0.35MAX	0.84MAX	ø 0.32	0.25MIN	13
1-1437131-1	FSN-12.5A-20= JUMPER NOMEX	1.27	63.5	3.18	0.35MAX	0.84MAX	ø 0.32	0.25MIN	20
1-1437131-5	FSN-12.5A-30= JUMPER NOMEX	1.27	63.5	3.18	0.35MAX	0.84MAX	ø 0.32	0.25MIN	30
5-1437131-2	FSN-12A-14= JUMPER NOMEX	1.27	50.8	3.18	0.35MAX	0.84MAX	ø 0.32	0.25MIN	14
5-1437131-3	FSN-12A-15= JUMPER NOMEX	1.27	50.8	3.18	0.35MAX	0.84MAX	ø 0.32	0.25MIN	15
6-1437131-0	FSN-12A-21= JUMPER NOMEX	1.27	50.8	3.18	0.35MAX	0.84MAX	ø 0.32	0.25MIN	21
6-1437131-4	FSN-12A-25= JUMPER NOMEX	1.27	50.8	3.18	0.35MAX	0.84MAX	ø 0.32	0.25MIN	25
6-1437131-8	FSN-12A-30= JUMPER NOMEX	1.27	50.8	3.18	0.35MAX	0.84MAX	ø 0.32	0.25MIN	30
2-1437181-8	FSN-12A-4= JUMPER NOMEX	1.27	50.8	3.18	0.35MAX	0.84MAX	ø 0.32	0.25MIN	4
7-1437131-5	FSN-12A-8= JUMPER NOMEX	1.27	50.8	3.18	0.35MAX	0.84MAX	ø 0.32	0.25MIN	8
4-1447183-3	FSN-13.5A-24= JUMPER NOMEX	1.27	88.9	3.18	0.35MAX	0.84MAX	ø 0.32	0.25MIN	24
1-1437133-9	FSN-14A-10= JUMPER NOMEX	1.27	101.6	3.18	0.35MAX	0.84MAX	ø 0.32	0.25MIN	10
4-1447183-9	FSN-14A-16= JUMPER NOMEX	1.27	101.6	3.18	0.35MAX	0.84MAX	ø 0.32	0.25MIN	16
6-1447183-1	FSN-15A-25= JUMPER NOMEX	1.27	127.0	3.18	0.35MAX	0.84MAX	ø 0.32	0.25MIN	25

THIS DRAWING IS A CONTROLLED DOCUMENT.		DWN	-	 TE Connectivity			
DIMENSIONS: mm		CHK	-			NAME FLEXSTRIP JUMPER	
		APVD	-				
TOLERANCES UNLESS OTHERWISE SPECIFIED: 0 PLC ± - 1 PLC ± - 2 PLC ± - 3 PLC ± - 4 PLC ± - ANGLES ± -		PRODUCT SPEC	-			SIZE 108-78002	
MATERIAL		APPLICATION SPEC	-	CAGE CODE A300779	DRAWING NO C-1447169		
		WEIGHT	0	RESTRICTED TO			
CUSTOMER DRAWING		SCALE		SHEET 6 of 9	REV A6		

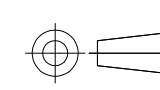
P	LTR	DESCRIPTION	DATE	DWN	APVD
-	-	SEE SHEET 1	-	-	-

FSN SERIES NO.2

PIN	Description	Pitch (A)	Tape Length (B)	Pin Length (C)	Tape Thickness (D)	Tape Thickness (E)	Pin Diameter (F)	Margin (G)	POS
7-1447183-3	FSN-2.5A-10=JUMPER NOMEX	2.54	12.7	3.18	0.35MAX	0.84MAX	φ0.51	0.25MIN	10
7-1447183-5	FSN-2.5A-11=JUMPER NOMEX	2.54	12.7	3.18	0.35MAX	0.84MAX	φ0.51	0.25MIN	11
7-1447183-7	FSN-2.5A-12=JUMPER NOMEX	2.54	12.7	3.18	0.35MAX	0.84MAX	φ0.51	0.25MIN	12
7-1447183-8	FSN-2.5A-13=JUMPER NOMEX	2.54	12.7	3.18	0.35MAX	0.84MAX	φ0.51	0.25MIN	13
8-1447183-0	FSN-2.5A-14=JUMPER NOMEX	2.54	12.7	3.18	0.35MAX	0.84MAX	φ0.51	0.25MIN	14
4-1437134-9	FSN-2.5A-15=JUMPER NOMEX	2.54	12.7	3.18	0.35MAX	0.84MAX	φ0.51	0.25MIN	15
8-1447183-2	FSN-2.5A-16=JUMPER NOMEX	2.54	12.7	3.18	0.35MAX	0.84MAX	φ0.51	0.25MIN	16
8-1447183-4	FSN-2.5A-18=JUMPER NOMEX	2.54	12.7	3.18	0.35MAX	0.84MAX	φ0.51	0.25MIN	18
8-1447183-5	FSN-2.5A-20=JUMPER NOMEX	2.54	12.7	3.18	0.35MAX	0.84MAX	φ0.51	0.25MIN	20
8-1447183-6	FSN-2.5A-20=JUMPER NOMEX	2.54	12.7	3.18	0.35MAX	0.84MAX	φ0.51	0.25MIN	2
9-1447183-8	FSN-2.5A-5=JUMPER NOMEX	2.54	12.7	3.18	0.35MAX	0.84MAX	φ0.51	0.25MIN	5
1447184-1	FSN-2.5A-6=JUMPER NOMEX	2.54	12.7	3.18	0.35MAX	0.84MAX	φ0.51	0.25MIN	6
1447184-3	FSN-2.5A-7=JUMPER NOMEX	2.54	12.7	3.18	0.35MAX	0.84MAX	φ0.51	0.25MIN	7
1447184-7	FSN-2.5A-9=JUMPER NOMEX	2.54	12.7	3.18	0.35MAX	0.84MAX	φ0.51	0.25MIN	9
3-1437137-4	FSN-2.15A-10=JUMPER NOMEX	2.54	38.1	3.18	0.35MAX	0.84MAX	φ0.51	0.25MIN	10
3-1437137-6	FSN-2.15A-11=JUMPER NOMEX	2.54	38.1	3.18	0.35MAX	0.84MAX	φ0.51	0.25MIN	11
4-1437137-1	FSN-2.15A-13=JUMPER NOMEX	2.54	38.1	3.18	0.35MAX	0.84MAX	φ0.51	0.25MIN	13
4-1437137-2	FSN-2.15A-14=JUMPER NOMEX	2.54	38.1	3.18	0.35MAX	0.84MAX	φ0.51	0.25MIN	14
4-1437137-3	FSN-2.15A-15=JUMPER NOMEX	2.54	38.1	3.18	0.35MAX	0.84MAX	φ0.51	0.25MIN	15
4-1437137-6	FSN-2.15A-17=JUMPER NOMEX	2.54	38.1	3.18	0.35MAX	0.84MAX	φ0.51	0.25MIN	17
4-1447184-0	FSN-2.15A-18=JUMPER NOMEX	2.54	38.1	3.18	0.35MAX	0.84MAX	φ0.51	0.25MIN	18
4-1437137-8	FSN-2.15A-19=JUMPER NOMEX	2.54	38.1	3.18	0.35MAX	0.84MAX	φ0.51	0.25MIN	19
4-1437137-9	FSN-2.15A-2=JUMPER NOMEX	2.54	38.1	3.18	0.35MAX	0.84MAX	φ0.51	0.25MIN	2
4-1447184-2	FSN-2.15A-20=JUMPER NOMEX	2.54	38.1	3.18	0.35MAX	0.84MAX	φ0.51	0.25MIN	20
5-1437137-4	FSN-2.15A-22=JUMPER NOMEX	2.54	38.1	3.18	0.35MAX	0.84MAX	φ0.51	0.25MIN	22
5-1437137-5	FSN-2.15A-23=JUMPER NOMEX	2.54	38.1	3.18	0.35MAX	0.84MAX	φ0.51	0.25MIN	23
5-1437137-7	FSN-2.15A-24=JUMPER NOMEX	2.54	38.1	3.18	0.35MAX	0.84MAX	φ0.51	0.25MIN	24
5-1437137-8	FSN-2.15A-25=JUMPER NOMEX	2.54	38.1	3.18	0.35MAX	0.84MAX	φ0.51	0.25MIN	25
5-1437137-9	FSN-2.15A-26=JUMPER NOMEX	2.54	38.1	3.18	0.35MAX	0.84MAX	φ0.51	0.25MIN	26
5-1447184-0	FSN-2.15A-27=JUMPER NOMEX	2.54	38.1	3.18	0.35MAX	0.84MAX	φ0.51	0.25MIN	27
5-1447184-6	FSN-2.15A-3=JUMPER NOMEX	2.54	38.1	3.18	0.35MAX	0.84MAX	φ0.51	0.25MIN	3
6-1437137-3	FSN-2.15A-30=JUMPER NOMEX	2.54	38.1	3.18	0.35MAX	0.84MAX	φ0.51	0.25MIN	30
6-1437137-4	FSN-2.15A-32=JUMPER NOMEX	2.54	38.1	3.18	0.35MAX	0.84MAX	φ0.51	0.25MIN	32
6-1447184-2	FSN-2.15A-33=JUMPER NOMEX	2.54	38.1	3.18	0.35MAX	0.84MAX	φ0.51	0.25MIN	33
6-1437137-7	FSN-2.15A-4=JUMPER NOMEX	2.54	38.1	3.18	0.35MAX	0.84MAX	φ0.51	0.25MIN	4
6-1447184-8	FSN-2.15A-5=JUMPER NOMEX	2.54	38.1	3.18	0.35MAX	0.84MAX	φ0.51	0.25MIN	5
7-1437137-2	FSN-2.15A-6=JUMPER NOMEX	2.54	38.1	3.18	0.35MAX	0.84MAX	φ0.51	0.25MIN	6
7-1447184-3	FSN-2.15A-7=JUMPER NOMEX	2.54	38.1	3.18	0.35MAX	0.84MAX	φ0.51	0.25MIN	7
7-1447184-8	FSN-2.15A-8=JUMPER NOMEX	2.54	38.1	3.18	0.35MAX	0.84MAX	φ0.51	0.25MIN	8
7-1437137-8	FSN-2.15A-9=JUMPER NOMEX	2.54	38.1	3.18	0.35MAX	0.84MAX	φ0.51	0.25MIN	9
9-1437137-4	FSN-2.15B-6=JUMPER NOMEX	2.54	38.1	3.18	0.35MAX	0.84MAX	φ0.51	0.25MIN	6
8-1447184-6	FSN-2.15B-9=JUMPER NOMEX	2.54	38.1	3.18	0.35MAX	0.84MAX	φ0.51	0.25MIN	9
6-1437139-7	FSN-2.1A-10=JUMPER NOMEX	2.54	25.4	3.18	0.35MAX	0.84MAX	φ0.51	0.25MIN	10
6-1437139-9	FSN-2.1A-11=JUMPER NOMEX	2.54	25.4	3.18	0.35MAX	0.84MAX	φ0.51	0.25MIN	11
7-1437139-1	FSN-2.1A-12=JUMPER NOMEX	2.54	25.4	3.18	0.35MAX	0.84MAX	φ0.51	0.25MIN	12
7-1437139-3	FSN-2.1A-13=JUMPER NOMEX	2.54	25.4	3.18	0.35MAX	0.84MAX	φ0.51	0.25MIN	13
7-1437139-4	FSN-2.1A-14=JUMPER NOMEX	2.54	25.4	3.18	0.35MAX	0.84MAX	φ0.51	0.25MIN	14
7-1437139-7	FSN-2.1A-15=JUMPER NOMEX	2.54	25.4	3.18	0.35MAX	0.84MAX	φ0.51	0.25MIN	15
7-1437139-9	FSN-2.1A-16=JUMPER NOMEX	2.54	25.4	3.18	0.35MAX	0.84MAX	φ0.51	0.25MIN	16
8-1437139-0	FSN-2.1A-17=JUMPER NOMEX	2.54	25.4	3.18	0.35MAX	0.84MAX	φ0.51	0.25MIN	17
8-1437139-1	FSN-2.1A-18=JUMPER NOMEX	2.54	25.4	3.18	0.35MAX	0.84MAX	φ0.51	0.25MIN	18
8-1437139-2	FSN-2.1A-19=JUMPER NOMEX	2.54	25.4	3.18	0.35MAX	0.84MAX	φ0.51	0.25MIN	19
8-1437139-3	FSN-2.1A-20=JUMPER NOMEX	2.54	25.4	3.18	0.35MAX	0.84MAX	φ0.51	0.25MIN	2
8-1437139-4	FSN-2.1A-20=JUMPER NOMEX	2.54	25.4	3.18	0.35MAX	0.84MAX	φ0.51	0.25MIN	20
8-1437139-5	FSN-2.1A-21=JUMPER NOMEX	2.54	25.4	3.18	0.35MAX	0.84MAX	φ0.51	0.25MIN	21
8-1437139-6	FSN-2.1A-22=JUMPER NOMEX	2.54	25.4	3.18	0.35MAX	0.84MAX	φ0.51	0.25MIN	22
8-1437139-9	FSN-2.1A-25=JUMPER NOMEX	2.54	25.4	3.18	0.35MAX	0.84MAX	φ0.51	0.25MIN	25
9-1437139-0	FSN-2.1A-26=JUMPER NOMEX	2.54	25.4	3.18	0.35MAX	0.84MAX	φ0.51	0.25MIN	26
9-1437139-1	FSN-2.1A-27=JUMPER NOMEX	2.54	25.4	3.18	0.35MAX	0.84MAX	φ0.51	0.25MIN	27
9-1437139-2	FSN-2.1A-28=JUMPER NOMEX	2.54	25.4	3.18	0.35MAX	0.84MAX	φ0.51	0.25MIN	28
9-1437139-7	FSN-2.1A-3=JUMPER NOMEX	2.54	25.4	3.18	0.35MAX	0.84MAX	φ0.51	0.25MIN	3
9-1437139-8	FSN-2.1A-30=JUMPER NOMEX	2.54	25.4	3.18	0.35MAX	0.84MAX	φ0.51	0.25MIN	30
1437140-9	FSN-2.1A-4=JUMPER NOMEX	2.54	25.4	3.18	0.35MAX	0.84MAX	φ0.51	0.25MIN	4
1-1437140-1	FSN-2.1A-5=JUMPER NOMEX	2.54	25.4	3.18	0.35MAX	0.84MAX	φ0.51	0.25MIN	5
1-1437140-4	FSN-2.1A-6=JUMPER NOMEX	2.54	25.4	3.18	0.35MAX	0.84MAX	φ0.51	0.25MIN	6
1-1437140-6	FSN-2.1A-7=JUMPER NOMEX	2.54	25.4	3.18	0.35MAX	0.84MAX	φ0.51	0.25MIN	7
2-1437140-1	FSN-2.1A-9=JUMPER NOMEX	2.54	25.4	3.18	0.35MAX	0.84MAX	φ0.51	0.25MIN	9
5-1447185-6	FSN-2.1A-9PA = JUMPER (PA4.0)	2.54	25.4	4.00	0.35MAX	0.84MAX	φ0.51	0.25MIN	9
5-1447185-9	FSN-2.1A-1=JUMPER NOMEX	2.54	25.4	3.18	0.35MAX	0.84MAX	φ0.51	0.25MIN	14
6-1447185-2	FSN-2.1A-5=JUMPER NOMEX	2.54	25.4	3.18	0.35MAX	0.84MAX	φ0.51	0.25MIN	5

THIS DRAWING IS A CONTROLLED DOCUMENT.

DIMENSIONS:
mm



TOLERANCES UNLESS OTHERWISE SPECIFIED:
0 PLC ± -
1 PLC ± -
2 PLC ± -
3 PLC ± -
4 PLC ± -
ANGLES ± -

MATERIAL

FINISH

DWN	-
CHK	-
APVD	-
PRODUCT SPEC	108-78002
APPLICATION SPEC	-
WEIGHT	0

NAME		RESTRICTED TO	
FLEXSTRIP JUMPER		-	
SIZE	CAGE CODE	DRAWING NO	
A3	00779	C-1447169	

CUSTOMER DRAWING	SCALE	SHEET	REV
	NTS	7 of 9	A6

THIS DRAWING IS UNPUBLISHED.

RELEASED FOR PUBLICATION

ALL RIGHTS RESERVED.

© COPYRIGHT - By -

REVISIONS

P	LTR	DESCRIPTION	DATE	DWN	APVD
-	-	SEE SHEET 1	-	-	-

FSN SERIES NO.3

P/N	Description	Pitch (A)	Tape Length (B)	Pin Length (C)	Tape Thickness (D)	Tape Thickness (E)	Pin Diameter (F)	Margin (G)	POS
2-1437141-9	FSN-22.5A-10= JUMPER NOMEX	2.54	63.5	3.18	0.35MAX	0.84MAX	φ0.51	0.25MIN	10
3-1437141-0	FSN-22.5A-11= JUMPER NOMEX	2.54	63.5	3.18	0.35MAX	0.84MAX	φ0.51	0.25MIN	11
3-1437141-1	FSN-22.5A-12= JUMPER NOMEX	2.54	63.5	3.18	0.35MAX	0.84MAX	φ0.51	0.25MIN	12
7-1447185-4	FSN-22.5A-14PA JUMPER NOMEX	2.54	63.5	4.00	0.35MAX	0.84MAX	φ0.51	0.25MIN	14
3-1437141-4	FSN-22.5A-15= JUMPER NOMEX	2.54	63.5	3.18	0.35MAX	0.84MAX	φ0.51	0.25MIN	15
3-1437141-5	FSN-22.5A-16= JUMPER NOMEX	2.54	63.5	3.18	0.35MAX	0.84MAX	φ0.51	0.25MIN	16
3-1437141-7	FSN-22.5A-18=JUMPER NOMEX	2.54	63.5	3.18	0.35MAX	0.84MAX	φ0.51	0.25MIN	18
8-1447185-8	FSN-22.5A-19=JUMPER NOMEX	2.54	63.5	3.18	0.35MAX	0.84MAX	φ0.51	0.25MIN	19
3-1437141-9	FSN-22.5A-20= JUMPER NOMEX	2.54	63.5	3.18	0.35MAX	0.84MAX	φ0.51	0.25MIN	20
4-1437141-2	FSN-22.5A-22= JUMPER NOMEX	2.54	63.5	3.18	0.35MAX	0.84MAX	φ0.51	0.25MIN	22
9-1447185-6	FSN-22.5A-25=JUMPER NOMEX	2.54	63.5	3.18	0.35MAX	0.84MAX	φ0.51	0.25MIN	25
1447186-1	FSN-22.5A-26=JUMPER NOMEX	2.54	63.5	3.18	0.35MAX	0.84MAX	φ0.51	0.25MIN	26
4-1437141-9	FSN-22.5A-3= JUMPER NOMEX	2.54	63.5	3.18	0.35MAX	0.84MAX	φ0.51	0.25MIN	3
1447186-6	FSN-22.5A-30=JUMPER NOMEX	2.54	63.5	3.18	0.35MAX	0.84MAX	φ0.51	0.25MIN	30
1447186-8	FSN-22.5A-31=JUMPER NOMEX	2.54	63.5	3.18	0.35MAX	0.84MAX	φ0.51	0.25MIN	31
5-1437141-1	FSN-22.5A-4= JUMPER NOMEX	2.54	63.5	3.18	0.35MAX	0.84MAX	φ0.51	0.25MIN	4
5-1437141-2	FSN-22.5A-5= JUMPER NOMEX	2.54	63.5	3.18	0.35MAX	0.84MAX	φ0.51	0.25MIN	5
5-1437141-3	FSN-22.5A-6= JUMPER NOMEX	2.54	63.5	3.18	0.35MAX	0.84MAX	φ0.51	0.25MIN	6
5-1437141-4	FSN-22.5A-7= JUMPER NOMEX	2.54	63.5	3.18	0.35MAX	0.84MAX	φ0.51	0.25MIN	7
5-1437141-5	FSN-22.5A-8= JUMPER NOMEX	2.54	63.5	3.18	0.35MAX	0.84MAX	φ0.51	0.25MIN	8
5-1437141-6	FSN-22.5A-9= JUMPER NOMEX	2.54	63.5	3.18	0.35MAX	0.84MAX	φ0.51	0.25MIN	9
2-1437142-8	FSN-22A-10= JUMPER NOMEX	2.54	50.8	3.18	0.35MAX	0.84MAX	φ0.51	0.25MIN	10
3-1437142-0	FSN-22A-11= JUMPER NOMEX	2.54	50.8	3.18	0.35MAX	0.84MAX	φ0.51	0.25MIN	11
3-1437142-2	FSN-22A-12= JUMPER NOMEX	2.54	50.8	3.18	0.35MAX	0.84MAX	φ0.51	0.25MIN	12
3-1437142-3	FSN-22A-13= JUMPER NOMEX	2.54	50.8	3.18	0.35MAX	0.84MAX	φ0.51	0.25MIN	13
3-1437142-4	FSN-22A-14= JUMPER NOMEX	2.54	50.8	3.18	0.35MAX	0.84MAX	φ0.51	0.25MIN	14
3-1437142-5	FSN-22A-15= JUMPER NOMEX	2.54	50.8	3.18	0.35MAX	0.84MAX	φ0.51	0.25MIN	15
3-1437142-6	FSN-22A-16= JUMPER NOMEX	2.54	50.8	3.18	0.35MAX	0.84MAX	φ0.51	0.25MIN	16
3-1437142-7	FSN-22A-17= JUMPER NOMEX	2.54	50.8	3.18	0.35MAX	0.84MAX	φ0.51	0.25MIN	17
3-1437142-8	FSN-22A-18= JUMPER NOMEX	2.54	50.8	3.18	0.35MAX	0.84MAX	φ0.51	0.25MIN	18
3-1437142-9	FSN-22A-19= JUMPER NOMEX	2.54	50.8	3.18	0.35MAX	0.84MAX	φ0.51	0.25MIN	19
4-1437142-0	FSN-22A-2= JUMPER NOMEX	2.54	50.8	3.18	0.35MAX	0.84MAX	φ0.51	0.25MIN	2
4-1437142-1	FSN-22A-20= JUMPER NOMEX	2.54	50.8	3.18	0.35MAX	0.84MAX	φ0.51	0.25MIN	20
4-1437142-3	FSN-22A-21= JUMPER NOMEX	2.54	50.8	3.18	0.35MAX	0.84MAX	φ0.51	0.25MIN	21
4-1437142-4	FSN-22A-22= JUMPER NOMEX	2.54	50.8	3.18	0.35MAX	0.84MAX	φ0.51	0.25MIN	22
4-1437142-5	FSN-22A-23= JUMPER NOMEX	2.54	50.8	3.18	0.35MAX	0.84MAX	φ0.51	0.25MIN	23
4-1437142-6	FSN-22A-24= JUMPER NOMEX	2.54	50.8	3.18	0.35MAX	0.84MAX	φ0.51	0.25MIN	24
4-1437142-9	FSN-22A-25= JUMPER NOMEX	2.54	50.8	3.18	0.35MAX	0.84MAX	φ0.51	0.25MIN	25
5-1437142-0	FSN-22A-26= JUMPER NOMEX	2.54	50.8	3.18	0.35MAX	0.84MAX	φ0.51	0.25MIN	26
7-1447186-7	FSN-22A-28=JUMPER NOMEX	2.54	50.8	3.18	0.35MAX	0.84MAX	φ0.51	0.25MIN	28
5-1437142-2	FSN-22A-3= JUMPER NOMEX	2.54	50.8	3.18	0.35MAX	0.84MAX	φ0.51	0.25MIN	3
5-1437142-3	FSN-22A-30= JUMPER NOMEX	2.54	50.8	3.18	0.35MAX	0.84MAX	φ0.51	0.25MIN	30
8-1447186-5	FSN-22A-31=JUMPER NOMEX	2.54	50.8	3.18	0.35MAX	0.84MAX	φ0.51	0.25MIN	31
9-1447186-0	FSN-22A-34=JUMPER NOMEX	2.54	50.8	3.18	0.35MAX	0.84MAX	φ0.51	0.25MIN	34
9-1447186-1	FSN-22A-37=JUMPER NOMEX	2.54	50.8	3.18	0.35MAX	0.84MAX	φ0.51	0.25MIN	37
5-1437142-9	FSN-22A-4= JUMPER NOMEX	2.54	50.8	3.18	0.35MAX	0.84MAX	φ0.51	0.25MIN	4
9-1447186-7	FSN-22A-4PA =JUMPER (PA4.0)	2.54	50.8	4.00	0.35MAX	0.84MAX	φ0.51	0.25MIN	4
6-1437142-2	FSN-22A-5= JUMPER NOMEX	2.54	50.8	3.18	0.35MAX	0.84MAX	φ0.51	0.25MIN	5
1447187-1	FSN-22A-5PA =JUMPER (PA4.0)	2.54	50.8	4.00	0.35MAX	0.84MAX	φ0.51	0.25MIN	5
6-1437142-7	FSN-22A-6= JUMPER NOMEX	2.54	50.8	3.18	0.35MAX	0.84MAX	φ0.51	0.25MIN	6
6-1437142-9	FSN-22A-7= JUMPER NOMEX	2.54	50.8	3.18	0.35MAX	0.84MAX	φ0.51	0.25MIN	7
7-1437142-2	FSN-22A-8= JUMPER NOMEX	2.54	50.8	3.18	0.35MAX	0.84MAX	φ0.51	0.25MIN	8
1447178-7	FSN-22A-8PA= JUMPER NOMEX	2.54	50.8	4.00	0.35MAX	0.84MAX	φ0.51	0.25MIN	8
7-1437142-5	FSN-22A-9= JUMPER NOMEX	2.54	50.8	3.18	0.35MAX	0.84MAX	φ0.51	0.25MIN	9
1-1447187-3	FSN-22AB-9=JUMPER NOMEX	2.54	50.8	3.18	0.35MAX	0.84MAX	φ0.51	0.25MIN	8
1437143-2	FSN-22B-20= JUMPER NOMEX	2.54	50.8	3.18	0.35MAX	0.84MAX	φ0.51	0.25MIN	20
6-1437143-4	FSN-23.5A-10= JUMPER NOMEX	2.54	88.9	3.18	0.35MAX	0.84MAX	φ0.51	0.25MIN	10
6-1437143-5	FSN-23.5A-11= JUMPER NOMEX	2.54	88.9	3.18	0.35MAX	0.84MAX	φ0.51	0.25MIN	11
6-1437143-6	FSN-23.5A-12= JUMPER NOMEX	2.54	88.9	3.18	0.35MAX	0.84MAX	φ0.51	0.25MIN	12
6-1437143-8	FSN-23.5A-14= JUMPER NOMEX	2.54	88.9	3.18	0.35MAX	0.84MAX	φ0.51	0.25MIN	14
2069384-1	FSN-23.5A-21= JUMPER NOMEX	2.54	88.9	3.18	0.35MAX	0.84MAX	φ0.51	0.25MIN	21

THIS DRAWING IS A CONTROLLED DOCUMENT.

DIMENSIONS: mm

TOLERANCES UNLESS OTHERWISE SPECIFIED:

0 PLC ± -
 1 PLC ± -
 2 PLC ± -
 3 PLC ± -
 4 PLC ± -
 ANGLES ± -

MATERIAL: - FINISH: -

DWN: -
 CHK: -
 APVD: -

SEE SHEET 1

PRODUCT SPEC: 108-78002

APPLICATION SPEC: -

WEIGHT: 0

CUSTOMER DRAWING

STE TE Connectivity

FLEXSTRIP JUMPER

SIZE: A3 CAGE CODE: 00779 DRAWING NO: C-1447169 RESTRICTED TO: -

SCALE: NTS SHEET: 8 of 9 REV: A6

THIS DRAWING IS UNPUBLISHED.

RELEASED FOR PUBLICATION

REVISIONS

© COPYRIGHT - By -

ALL RIGHTS RESERVED.

P	LTR	DESCRIPTION	DATE	DWN	APVD
-	-	SEE SHEET 1	-	-	-

FSN SERIES NO.4

P/N	Description	Pitch (A)	Tape Length (B)	Pin Length (C)	Tape Thickness (D)	Tape Thickness (E)	Pin Diameter (F)	Margh (G)	POS
8-1437143-5	FSN-23A-9= JUMPER NOMEM	2.54	88.9	3.18	0.35MAX	0.84MAX	φ0.51	0.25MIN	8
8-1437143-6	FSN-23A-9= JUMPER NOMEM	2.54	88.9	3.18	0.35MAX	0.84MAX	φ0.51	0.25MIN	9
2-1437144-5	FSN-23A-10= JUMPER NOMEM	2.54	76.2	3.18	0.35MAX	0.84MAX	φ0.51	0.25MIN	10
2-1437144-7	FSN-23A-11= JUMPER NOMEM	2.54	76.2	3.18	0.35MAX	0.84MAX	φ0.51	0.25MIN	11
3-1437144-0	FSN-23A-13= JUMPER NOMEM	2.54	76.2	3.18	0.35MAX	0.84MAX	φ0.51	0.25MIN	13
3-1437144-1	FSN-23A-14= JUMPER NOMEM	2.54	76.2	3.18	0.35MAX	0.84MAX	φ0.51	0.25MIN	14
3-1437144-3	FSN-23A-15= JUMPER NOMEM	2.54	76.2	3.18	0.35MAX	0.84MAX	φ0.51	0.25MIN	15
3-1437144-4	FSN-23A-16= JUMPER NOMEM	2.54	76.2	3.18	0.35MAX	0.84MAX	φ0.51	0.25MIN	16
3-1437144-6	FSN-23A-18= JUMPER NOMEM	2.54	76.2	3.18	0.35MAX	0.84MAX	φ0.51	0.25MIN	18
4-1447187-2	FSN-23A-18-3.5= JUMPER (PL3.5)	2.54	76.2	3.50	0.35MAX	0.84MAX	φ0.51	0.25MIN	18
3-1437144-8	FSN-23A-19= JUMPER NOMEM	2.54	76.2	3.18	0.35MAX	0.84MAX	φ0.51	0.25MIN	19
4-1437144-0	FSN-23A-20= JUMPER NOMEM	2.54	76.2	3.18	0.35MAX	0.84MAX	φ0.51	0.25MIN	20
4-1437144-2	FSN-23A-21= JUMPER NOMEM	2.54	76.2	3.18	0.35MAX	0.84MAX	φ0.51	0.25MIN	21
4-1437144-3	FSN-23A-22= JUMPER NOMEM	2.54	76.2	3.18	0.35MAX	0.84MAX	φ0.51	0.25MIN	22
4-1437144-4	FSN-23A-23= JUMPER NOMEM	2.54	76.2	3.18	0.35MAX	0.84MAX	φ0.51	0.25MIN	23
4-1437144-5	FSN-23A-24= JUMPER NOMEM	2.54	76.2	3.18	0.35MAX	0.84MAX	φ0.51	0.25MIN	24
4-1437144-6	FSN-23A-25= JUMPER NOMEM	2.54	76.2	3.18	0.35MAX	0.84MAX	φ0.51	0.25MIN	25
4-1437144-7	FSN-23A-26= JUMPER NOMEM	2.54	76.2	3.18	0.35MAX	0.84MAX	φ0.51	0.25MIN	26
5-1437144-1	FSN-23A-30= JUMPER NOMEM	2.54	76.2	3.18	0.35MAX	0.84MAX	φ0.51	0.25MIN	30
5-1437144-6	FSN-23A-4= JUMPER NOMEM	2.54	76.2	3.18	0.35MAX	0.84MAX	φ0.51	0.25MIN	4
5-1437144-8	FSN-23A-5= JUMPER NOMEM	2.54	76.2	3.18	0.35MAX	0.84MAX	φ0.51	0.25MIN	5
5-1437144-9	FSN-23A-6= JUMPER NOMEM	2.54	76.2	3.18	0.35MAX	0.84MAX	φ0.51	0.25MIN	6
6-1447187-9	FSN-23A-6PA= JUMPER (PA4.0)	2.54	76.2	4.00	0.35MAX	0.84MAX	φ0.51	0.25MIN	6
6-1437144-0	FSN-23A-7= JUMPER NOMEM	2.54	76.2	3.18	0.35MAX	0.84MAX	φ0.51	0.25MIN	7
7-1447187-1	FSN-23A-8-3.5= JUMPER (PL3.5)	2.54	76.2	3.18 ^{+0.76}	0.35MAX	0.84MAX	φ0.51	0.25MIN	8
6-1437144-3	FSN-23A-9= JUMPER NOMEM	2.54	76.2	3.18	0.35MAX	0.84MAX	φ0.51	0.25MIN	9
7-1447187-8	FSN-23B-12= JUMPER NOMEM	2.54	76.2	3.18	0.35MAX	0.84MAX	φ0.51	0.25MIN	12
4-1437145-8	FSN-24A-10= JUMPER NOMEM	2.54	101.6	3.18	0.35MAX	0.84MAX	φ0.51	0.25MIN	10
8-1447178-7	FSN-24A-12PA= JUMPER NOMEM	2.54	101.6	4.00	0.35MAX	0.84MAX	φ0.51	0.25MIN	12
5-1437145-4	FSN-24A-14= JUMPER NOMEM	2.54	101.6	3.18	0.35MAX	0.84MAX	φ0.51	0.25MIN	14
5-1437145-6	FSN-24A-15= JUMPER NOMEM	2.54	101.6	3.18	0.35MAX	0.84MAX	φ0.51	0.25MIN	15
6-1437145-4	FSN-24A-2= JUMPER NOMEM	2.54	101.6	3.18	0.35MAX	0.84MAX	φ0.51	0.25MIN	2
6-1437145-5	FSN-24A-20= JUMPER NOMEM	2.54	101.6	3.18	0.35MAX	0.84MAX	φ0.51	0.25MIN	20
7-1437145-1	FSN-24A-25= JUMPER NOMEM	2.54	101.6	3.18	0.35MAX	0.84MAX	φ0.51	0.25MIN	25
8-1437145-1	FSN-24A-4= JUMPER NOMEM	2.54	101.6	3.18	0.35MAX	0.84MAX	φ0.51	0.25MIN	4
8-1437145-4	FSN-24A-5= JUMPER NOMEM	2.54	101.6	3.18	0.35MAX	0.84MAX	φ0.51	0.25MIN	5
8-1437145-6	FSN-24A-7= JUMPER NOMEM	2.54	101.6	3.18	0.35MAX	0.84MAX	φ0.51	0.25MIN	7
8-1437145-8	FSN-24A-8= JUMPER NOMEM	2.54	101.6	3.18	0.35MAX	0.84MAX	φ0.51	0.25MIN	8
2-1447188-2	FSN-25A-10= JUMPER NOMEM	2.54	127.0	3.18	0.35MAX	0.84MAX	φ0.51	0.25MIN	10
2-1447188-4	FSN-25A-11= JUMPER NOMEM	2.54	127.0	3.18	0.35MAX	0.84MAX	φ0.51	0.25MIN	11
2-1447188-8	FSN-25A-15= JUMPER NOMEM	2.54	127.0	3.18	0.35MAX	0.84MAX	φ0.51	0.25MIN	15
3-1447188-3	FSN-25A-20= JUMPER NOMEM	2.54	127.0	3.18	0.35MAX	0.84MAX	φ0.51	0.25MIN	20
3-1447188-6	FSN-25A-22= JUMPER NOMEM	2.54	127.0	3.18	0.35MAX	0.84MAX	φ0.51	0.25MIN	22
4-1447188-0	FSN-25A-3= JUMPER NOMEM	2.54	127.0	3.18	0.35MAX	0.84MAX	φ0.51	0.25MIN	3
4-1447188-7	FSN-25A-6= JUMPER NOMEM	2.54	127.0	3.18	0.35MAX	0.84MAX	φ0.51	0.25MIN	6
4-1447188-9	FSN-25A-7= JUMPER NOMEM	2.54	127.0	3.18	0.35MAX	0.84MAX	φ0.51	0.25MIN	7
9-1437146-1	FSN-26A-12= JUMPER NOMEM	2.54	152.4	3.18	0.35MAX	0.84MAX	φ0.51	0.25MIN	12
9-1437146-3	FSN-26A-1= JUMPER NOMEM	2.54	152.4	3.18	0.35MAX	0.84MAX	φ0.51	0.25MIN	14
9-1437146-6	FSN-26A-18= JUMPER NOMEM	2.54	152.4	3.18	0.35MAX	0.84MAX	φ0.51	0.25MIN	16
6-1447188-3	FSN-26A-2= JUMPER NOMEM	2.54	152.4	3.18	0.35MAX	0.84MAX	φ0.51	0.25MIN	2
1437147-9	FSN-26A-4= JUMPER NOMEM	2.54	152.4	3.18	0.35MAX	0.84MAX	φ0.51	0.25MIN	4
1-1437147-1	FSN-26A-5= JUMPER NOMEM	2.54	152.4	3.18	0.35MAX	0.84MAX	φ0.51	0.25MIN	5
1-1437147-3	FSN-26A-7= JUMPER NOMEM	2.54	152.4	3.18	0.35MAX	0.84MAX	φ0.51	0.25MIN	7
6-1447188-8	FSN-26A-8= JUMPER NOMEM	2.54	152.4	3.18	0.35MAX	0.84MAX	φ0.51	0.25MIN	8
8-1437147-9	FSN-28A-3= JUMPER NOMEM	2.54	203.2	3.18	0.35MAX	0.84MAX	φ0.51	0.25MIN	3
9-1437147-1	FSN-28A-4= JUMPER NOMEM	2.54	203.2	3.18	0.35MAX	0.84MAX	φ0.51	0.25MIN	4
9-1437147-2	FSN-28A-5= JUMPER NOMEM	2.54	203.2	3.18	0.35MAX	0.84MAX	φ0.51	0.25MIN	5
9-1447188-0	FSN-29A-4= JUMPER NOMEM	2.54	228.6	3.18	0.35MAX	0.84MAX	φ0.51	0.25MIN	4
4-1437148-7	FSN-31A-3= JUMPER NOMEM	3.18	25.4	3.18	0.35MAX	0.84MAX	φ0.51	0.25MIN	3
8-1437149-9	FSN-52A-17= JUMPER NOMEM	5.08	50.8	3.18	0.35MAX	0.84MAX	φ0.51	0.25MIN	17
9-1437149-9	FSN-52A-2= JUMPER NOMEM	5.08	50.8	3.18	0.35MAX	0.84MAX	φ0.51	0.25MIN	2

THIS DRAWING IS A CONTROLLED DOCUMENT.

DWN -
CHK -
APVD -

SEE SHEET 1

NAME: FLEXSTRIP JUMPER

PRODUCT SPEC: 108-78002

APPLICATION SPEC: -

SIZE: A3 CAGE CODE: 00779 DRAWING NO: 1447169 RESTRICTED TO: -

WEIGHT: 0

CUSTOMER DRAWING

SCALE: NTS SHEET: 9 OF 9 REV: A6

TE Connectivity

X-ON Electronics

Largest Supplier of Electrical and Electronic Components

Click to view similar products for te connectivity manufacturer:

Other Similar products are found below :

[570416-000](#) [CLTEQ-M81CE-SSRELAY-4-20V](#) [4-1633138-8](#) [D38999/24FJ4AN](#) [4-1195131-0](#) [650069-000](#) [SMD100-2](#) [2EDL4CM](#)
[DTS20W19-11PD-3028](#) [DTS20W19-11PD-3028-LC](#) [DTS20W19-32SD-3028-LC](#) [DTS20W19-32SD-3028](#) [NC6-P104-06](#) [TXR64AB90-](#)
[3616AI](#) [DTS26F21-41HE](#) [DTS26F21-41AE](#) [DTS26F21-41PE-LC](#) [DTS26F21-11SE-3028-LC](#) [D38999/24WF32JE](#) [D38999/24WF32SE-LC](#)
[DTS24W19-32HE](#) [D38999/20JB35HA](#) [D38999/24WJ20PA](#) [164-8033-08](#) [D38999/24FF32JE](#) [D38999/24FF32SE-LC](#) [D38999/24WF32JB](#)
[D38999/24WG11HA](#) [D38999/24WG11HN](#) [MS27467T21F11H](#) [DJT16E21-11HA](#) [DTS24F19-32HE](#) [DTS20W19-32SA-3028-LC](#) [DTS24F19-](#)
[11SC-3028-LC](#) [DTS24F19-11SC-3028](#) [DJT14E13-98HB](#) [D38999/20WC8BB](#) [1-330599-5](#) [DTS24F21-41HN-LC](#) [DTS24F21-41HN](#)
[DTS24F21-41AN](#) [DTS24F21-39HN](#) [DTS24F21-41PN-LC](#) [AFD50-10-6SN-1A-LC](#) [DJT10F17-26HC](#) [DTS24W19-32HB](#) [ACT20JE99HA](#)
[DJT10E17-26HC](#) [DJT10E17-26HN](#) [DJT10F17-26HA](#)