

THIS DRAWING IS UNPUBLISHED. RELEASED FOR PUBLICATION
 © COPYRIGHT - By - ALL RIGHTS RESERVED.

LOC		DIST		REVISIONS			
P	LTR	DESCRIPTION		DATE	DWN	APVD	
	A	INITIAL RELEASE		20JULY2015	TJ	PS	

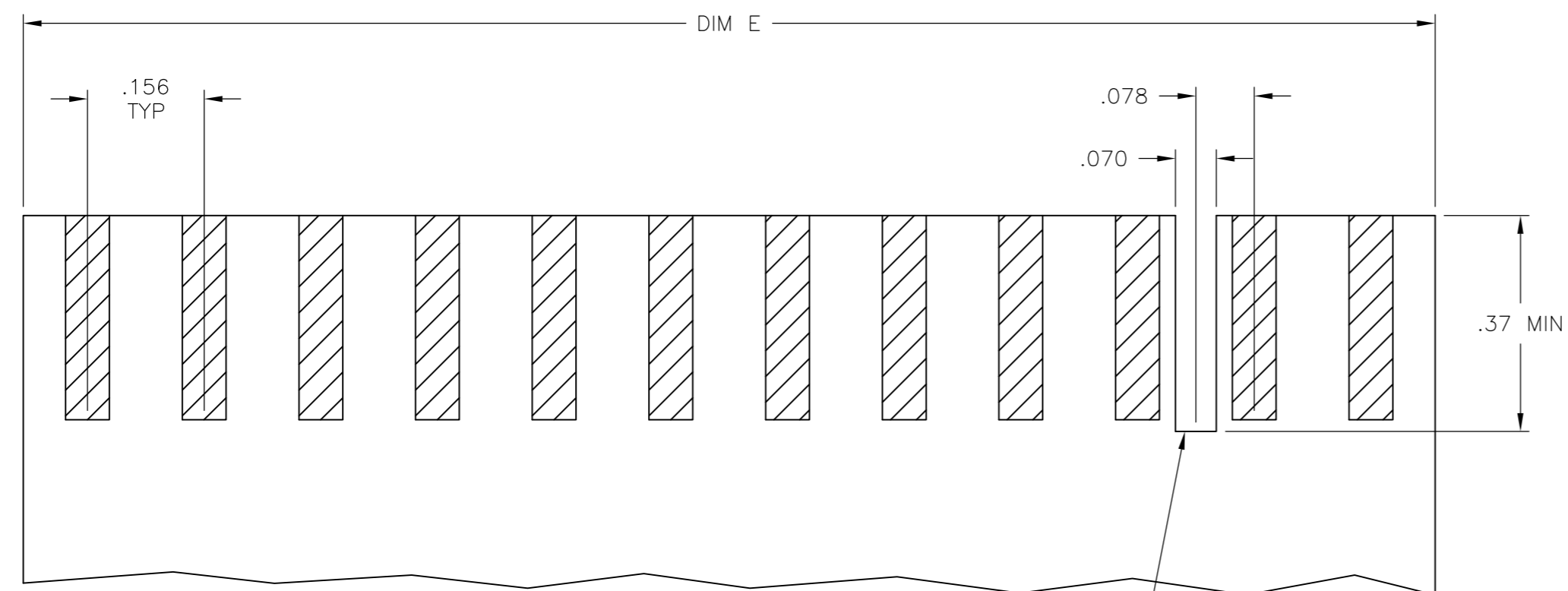
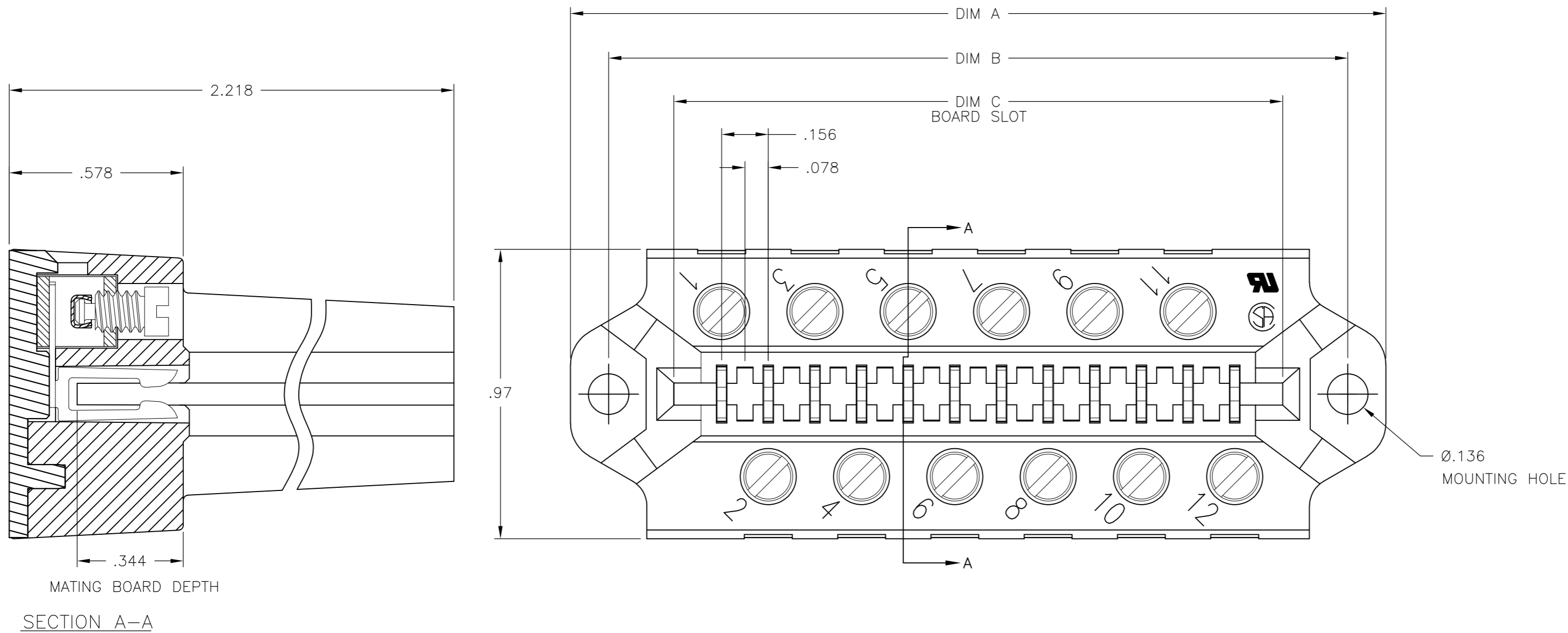
NOTES:

MATERIAL:
 HOUSING: POLYESTER, UL94V-0, BLACK.
 TUBULAR CONTACT: BRASS.
 PC CONTACT: PHOSPHOR BRONZE, GOLD OVER NICKEL PLATE.
 SCREW: 6-32, STEEL, ZINC+ CHROMATE FINISH.
 CLAMP: BRASS

MECHANICAL:
 PITCH: .156"
 MOUNTING SCREW SIZE: #4 or #6
 WIRE STRIP LENGTH: .25"
 RECOMMENDED TIGHTENING TORQUE: 5-8 IN-LBS.
 BOARD INSERTION FORCE: 5.6 OZ. MAX PER CKT.
 BOARD SEPARATION FORCE: 1.8 OZ. MIN PER CKT

ELECTRICAL:
 MAX CURRENT: 10A.
 OPERATING VOLTAGE: 250V.
 DIELECTRIC WITHSTAND: 3000V
 WIRE RANGE: #14 SOLID/STRANDED ONLY.
 INSULATION RESISTANCE: 100 giga-ohms
 CONTACT RESISTANCE: 6 milliohms

ENVIRONMENTAL:
 OPERATING TEMP.: -65°C TO +140°C.



OPTIONAL POLARIZING NOTCH
 LOCATION PER CUSTOMER REQUIREMENT
 USE OPTIONAL POLARIZING KEY CAT. NO. PC17
 PN 1437410-5

RECOMMENDED PCB LAYOUT

	6.857	6.872	7.308	7.558	43	5-1437410-6
OBSOLETE	5.765	5.780	6.216	6.466	36	5-1437410-2
	5.141	5.156	5.592	5.842	32	4-1437410-8
	4.517	4.532	4.968	5.218	28	4-1437410-3
	3.581	3.596	4.032	4.282	22	3-1437410-9
	2.957	2.972	3.408	3.658	18	3-1437410-5
	2.645	2.660	3.096	3.351	16	3-1437410-2
	2.489	2.504	2.940	3.190	15	3-1437410-0
OBSOLETE	2.021	2.036	2.472	2.722	12	2-1437410-6
OBSOLETE	1.709	1.724	2.160	2.410	10	2-1437410-2
	1.397	1.412	1.848	2.098	8	1-1437410-9
STATUS	E	C	B	A	NO OF POSITIONS	TE PART NO

THIS DRAWING IS A CONTROLLED DOCUMENT.		DWN M THAJUDEEN 20JULY2015		
DIMENSIONS: INCHES		CHK NIMBENAPPA GANI 20JULY2015		
TOLERANCES UNLESS OTHERWISE SPECIFIED:		APVD PRASHANTH S 20JULY2015	NAME 0.156 INCH PITCH PCB1B SERIES SELECTIVE GOLD PLATED	
0 PLC ± - 1 PLC ± - 2 PLC ± .02 3 PLC ± .01 4 PLC ± - ANGLES ± 2°		PRODUCT SPEC -	SIZE A2	
MATERIAL SEE NOTES		APPLICATION SPEC -	CAGE CODE 00779	DRAWING NO 1437410
FINISH SEE NOTES		WEIGHT -	RESTRICTED TO -	SCALE NTS
		CUSTOMER DRAWING	SHEET 1 of 1	REV A

X-ON Electronics

Largest Supplier of Electrical and Electronic Components

Click to view similar products for [TE Connectivity](#) manufacturer:

Other Similar products are found below :

[D38999/24FJ4AN](#) [570416-000](#) [CLTEQ-M81CE-SSRELAY-4-20V](#) [4-1195131-0](#) [650069-000](#) [SMD100-2](#) [358838-000](#) [CB-1022B-78](#)
[RM707012](#) [RP410012](#) [MMS42](#) [1-640426-8](#) [2EDL4CM](#) [DTS20W19-11PD-3028-LC](#) [RM202615](#) [NC6-P104-06](#) [MSPS103B](#) [DTS26F21-](#)
[41HE-LC](#) [DTS26F21-41AE](#) [DTS26F21-41PE-LC](#) [DTS26F21-11SE-3028-LC](#) [30DCB6](#) [1932144-1](#) [293545-4](#) [LVR125S](#) [MS27466T25F4PB](#)
[CKB-38-78010](#) [TR04AI-TINELLOCKRING](#) [1206SFF150F/63-2](#) [D38999/20JB35HA](#) [TE1500A2R2J](#) [D38999/20WC8BB](#) [DTS24F19-11SC-](#)
[3028-LC](#) [D38999/24WG11HA](#) [D38999/24WG11HN](#) [MS27467T21F11H](#) [DJT16E21-11HA](#) [MS27467T21F35J](#) [MS27467T21F11J](#)
[MS27467T21F16H-LC](#) [MS27467T21F35H](#) [MS27467T21F41H-LC](#) [1206SFH150F/24-2](#) [RP330024](#) [DJT16E21-11PA-LC](#) [DJT16E21-11HA-](#)
[LC](#) [DJT16E21-11AA](#) [MS27467T21B11JA](#) [DJT16E21-11JA](#) [MS27467T21B11JA-LC](#)