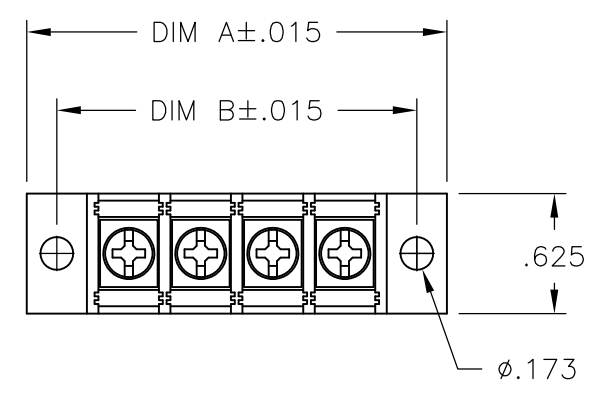


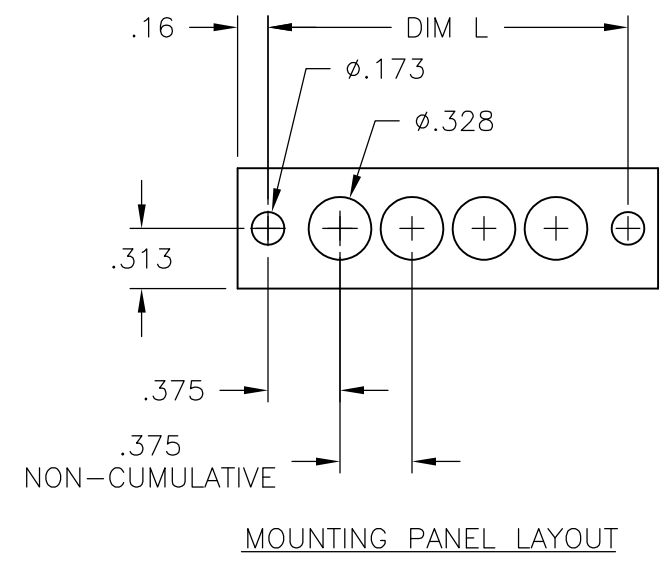
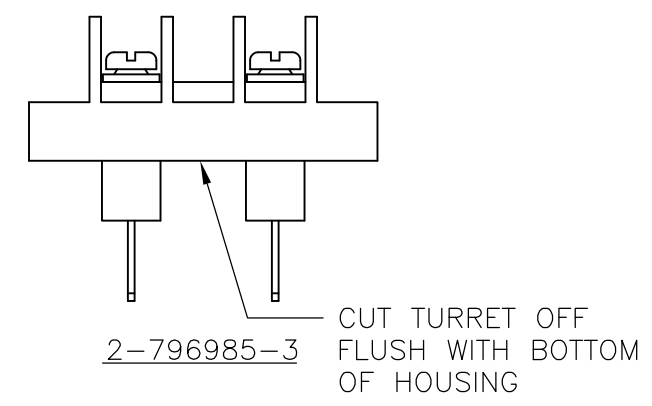
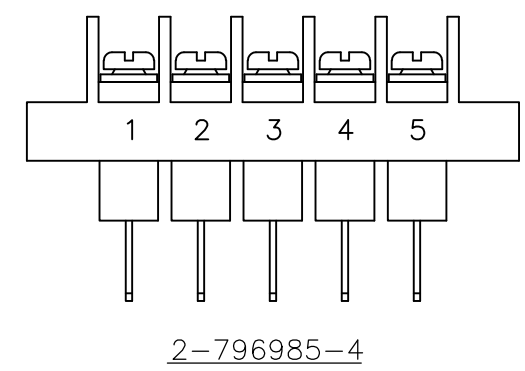
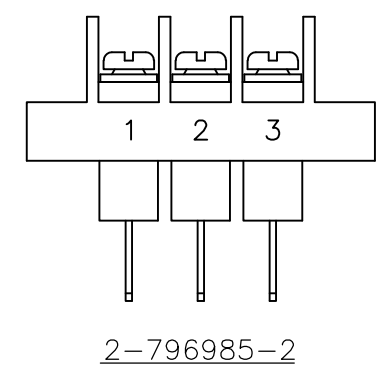
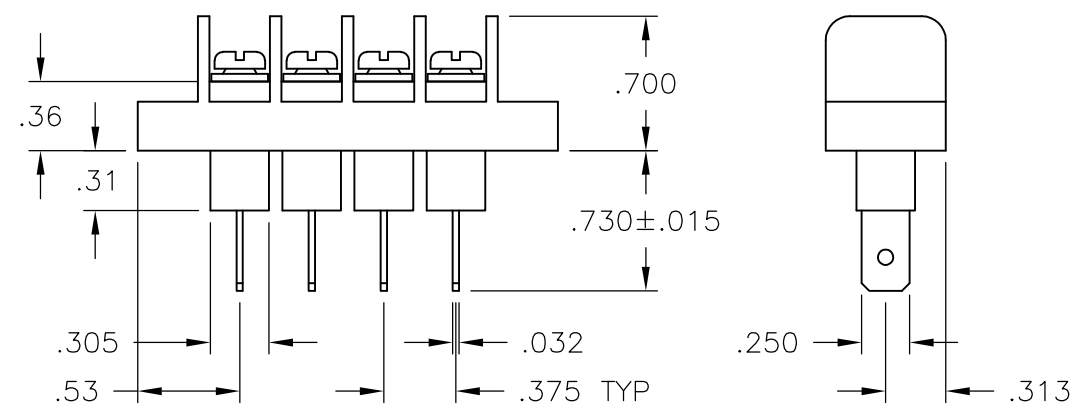
THIS DRAWING IS UNPUBLISHED. RELEASED FOR PUBLICATION
 © COPYRIGHT - By - ALL RIGHTS RESERVED.

LOC	DIST	REVISIONS					
FT	0	P	LTR	DESCRIPTION	DATE	DWN	APVD
			B6	REVISED PER ECO-11-004820	11MAR11	RK	HMR



PHYSICAL PROPERTIES:
 HOUSING: THERMOPLASTIC, UL94V-0, BLACK.
 TERMINALS: MATERIAL: COPPER ALLOY, PLATING SEE TABLE.
 SCREWS: #6-32 STEEL, ZINC PLATING W/ CLEAR CHROMATE.
 PITCH (TERMINAL SPACING): .375"
 OPERATING TEMP: 105° C MAX




ELECTRICAL PROPERTIES:
 RATED CURRENT: 20A
 OPERATING VOLTAGE: 300V
 WIRE RANGE: 12-22 AWG


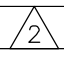
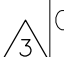
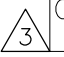



THIS DRAWING IS A CONTROLLED DOCUMENT.		DWN	S SCHLEGEL	5/27/03	TE Connectivity		
DIMENSIONS: INCHES		CHK	S YODER	5/27/03			
TOLERANCES UNLESS OTHERWISE SPECIFIED:		APVD	S YODER	5/27/03	JC6-Q308-XX ASSEMBLY		
0 PLC ± -		PRODUCT SPEC		SIZE			
1 PLC ± -		APPLICATION SPEC		CAGE CODE		DRAWING NO	
2 PLC ± .02		MATERIAL		A3		00779	
3 PLC ± .010		FINISH		C-6-1437665-2		RESTRICTED TO	
4 PLC ± -		MATERIAL		CUSTOMER DRAWING		SCALE	
ANGLES ± ± -		MATERIAL		NTS		SHEET	
FINISH		MATERIAL		1 OF 2		REV	
MATERIAL		MATERIAL		B6		REV	

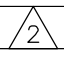
THIS DRAWING IS UNPUBLISHED. RELEASED FOR PUBLICATION
 © COPYRIGHT - By - ALL RIGHTS RESERVED.


LOC	DIST	REVISIONS					
FT	0	P	LTR	DESCRIPTION	DATE	DWN	APVD
			-	SEE SHEET 1	-	-	-

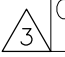
-  PRELIMINARY
-  MATTE TIN PLATE .0002 - .0006 MIN OVER .00005 MIN NICKEL.
-  OBSOLETE PARTS: OBSOLETE CIS STREAMLINING PER D.RENAUD/D.SINISI


PLATING	DIM. B	DIM. A	NO. OF POS.	CATALOG NUMBER	PART NO.
BRIGHT TIN PL	9.000	9.314	23	JC6-Q308-23	2-1546700-2
BRIGHT TIN PL	8.625	8.939	22	JC6-Q308-22	2-1546700-1
BRIGHT TIN PL	8.250	8.564	21	JC6-Q308-21	2-1546700-0
BRIGHT TIN PL	7.875	8.189	20	JC6-Q308-20	1-1546700-9
BRIGHT TIN PL	7.500	7.814	19	JC6-Q308-19	1-1546700-8
BRIGHT TIN PL	7.125	7.439	18	JC6-Q308-18	1-1546700-7
BRIGHT TIN PL	6.750	7.064	17	JC6-Q308-17	1-1546700-6
BRIGHT TIN PL	6.375	6.689	16	JC6-Q308-16	1-1546700-5
BRIGHT TIN PL	6.000	6.314	15	JC6-Q308-15	1-1546700-4
BRIGHT TIN PL	5.625	5.939	14	JC6-Q308-14	1-1546700-3
BRIGHT TIN PL	5.250	5.564	13	JC6-Q308-13	1-1546700-2
BRIGHT TIN PL	4.875	5.189	12	JC6-Q308-12	796985-9
BRIGHT TIN PL	4.500	4.814	11	JC6-Q308-11	1-1546700-1
BRIGHT TIN PL	4.125	4.439	10	JC6-Q308-10	796985-6
BRIGHT TIN PL	3.750	4.064	9	JC6-Q308-09	1-1546700-0
BRIGHT TIN PL	3.375	3.689	8	JC6-Q308-08	6-1437665-9
BRIGHT TIN PL	3.000	3.314	7	JC6-Q308-07	6-1437665-8
BRIGHT TIN PL	2.625	2.939	6	JC6-Q308-06	6-1437665-7
 OBSOLETE SEE FIGURE (PAGE 1) BRIGHT TIN PL	2.250	2.564	5	JC6-Q308-05-175	2-796985-4
	1.875	2.189	4	JC6-Q308-04	6-1546700-5
BRIGHT TIN PL	1.875	2.189	4	JC6-Q308-04	6-1437665-5
 OBSOLETE SEE FIGURE (PAGE 1) BRIGHT TIN PL	1.500	1.814	3	JC6-Q308-03-174	2-796985-3
 OBSOLETE SEE FIGURE (PAGE 1) BRIGHT TIN PL	1.500	1.814	3	JC6-Q308-03-173	2-796985-2
BRIGHT TIN PL	1.500	1.814	3	JC6-Q308-03	6-1437665-4
BRIGHT TIN PL	1.125	1.439	2	JC6-Q308-02	6-1437665-2

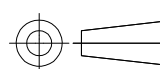
 OBSOLETE SEE FIGURE (PAGE 1)



 OBSOLETE SEE FIGURE (PAGE 1)

 OBSOLETE SEE FIGURE (PAGE 1)

THIS DRAWING IS A CONTROLLED DOCUMENT.		DWN S SCHLEGEL 5/27/03	 TE Connectivity			
DIMENSIONS: INCHES		CHK S YODER 5/27/03				
TOLERANCES UNLESS OTHERWISE SPECIFIED:		APVD S YODER 5/27/03	NAME			
0 PLC ± -		PRODUCT SPEC	JC6-Q308-XX ASSEMBLY			
1 PLC ± -		APPLICATION SPEC	SIZE	CAGE CODE	DRAWING NO	RESTRICTED TO
2 PLC ± .02			A3	00779	C-6-1437665-2	-
3 PLC ± .010			CUSTOMER DRAWING			
4 PLC ± -			SCALE	SHEET	REV	
ANGLES ± -			NTS	2 OF 2	B6	
MATERIAL	FINISH	WEIGHT				
-	-	-				



X-ON Electronics

Largest Supplier of Electrical and Electronic Components

Click to view similar products for [Barrier Terminal Blocks](#) category:

Click to view products by [TE Connectivity](#) manufacturer:

Other Similar products are found below :

[CR151D20104](#) [670A-RZ-15-KT20](#) [6C1N03](#) [6PCR-02](#) [6PCR-02-008](#) [6PCR-05-008](#) [6PCR-08-008](#) [6PCR-09-008](#) [6PCR-13-006](#) [6PCR-15-006](#) [6PCR-21-006](#) [6PCV-06-008](#) [6PCV-06-716](#) [6PCV-09-001](#) [6PCV-10-009](#) [6PCV-15-008](#) [6PCV-17-1206](#) [6PCV-20-323](#) [6PCV-30-006](#) [6STR-06-006](#) [6STR-08-006](#) [6STR-12-008](#) [6STR-13-006](#) [6STR-14-008](#) [6STR-16-008](#) [6STR-17-008](#) [6STR-21-008](#) [6STR-25-008](#) [6STR-27-008](#) [6STV-03-006](#) [6STV-03-008](#) [6STV-04-006](#) [6STV-09-006](#) [6STV-10-006](#) [6WWR-03-693](#) [6WWV-12-008](#) [6WWV-16-008](#) [72212603](#) [72504-C-50](#) [72506-C](#) [72507-C-50](#) [73203](#) [75505-C](#) [75505-C-50](#) [75510-C](#) [77010-50](#) [7C1N08](#) [812-GP-3/4ST-09](#) [8-1437402-5](#) [8-1437402-7](#)