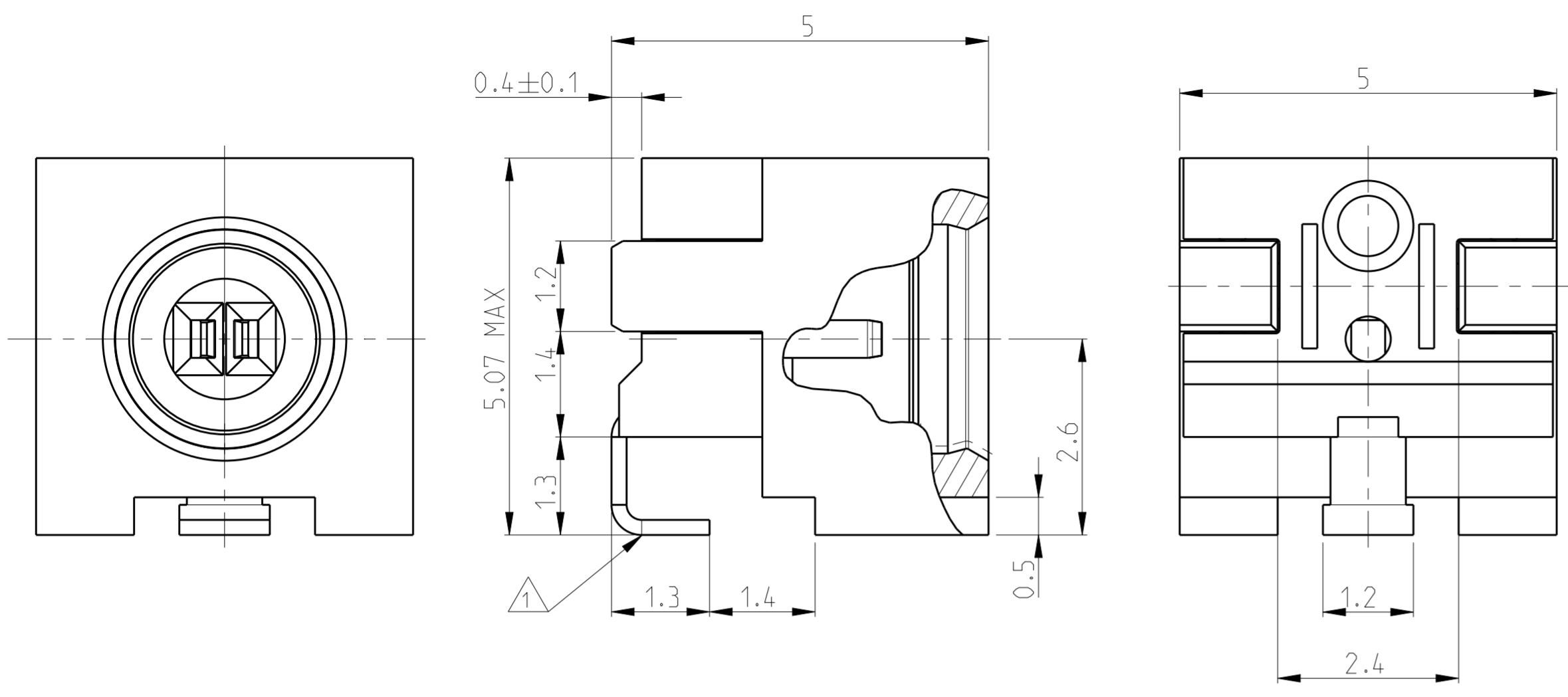


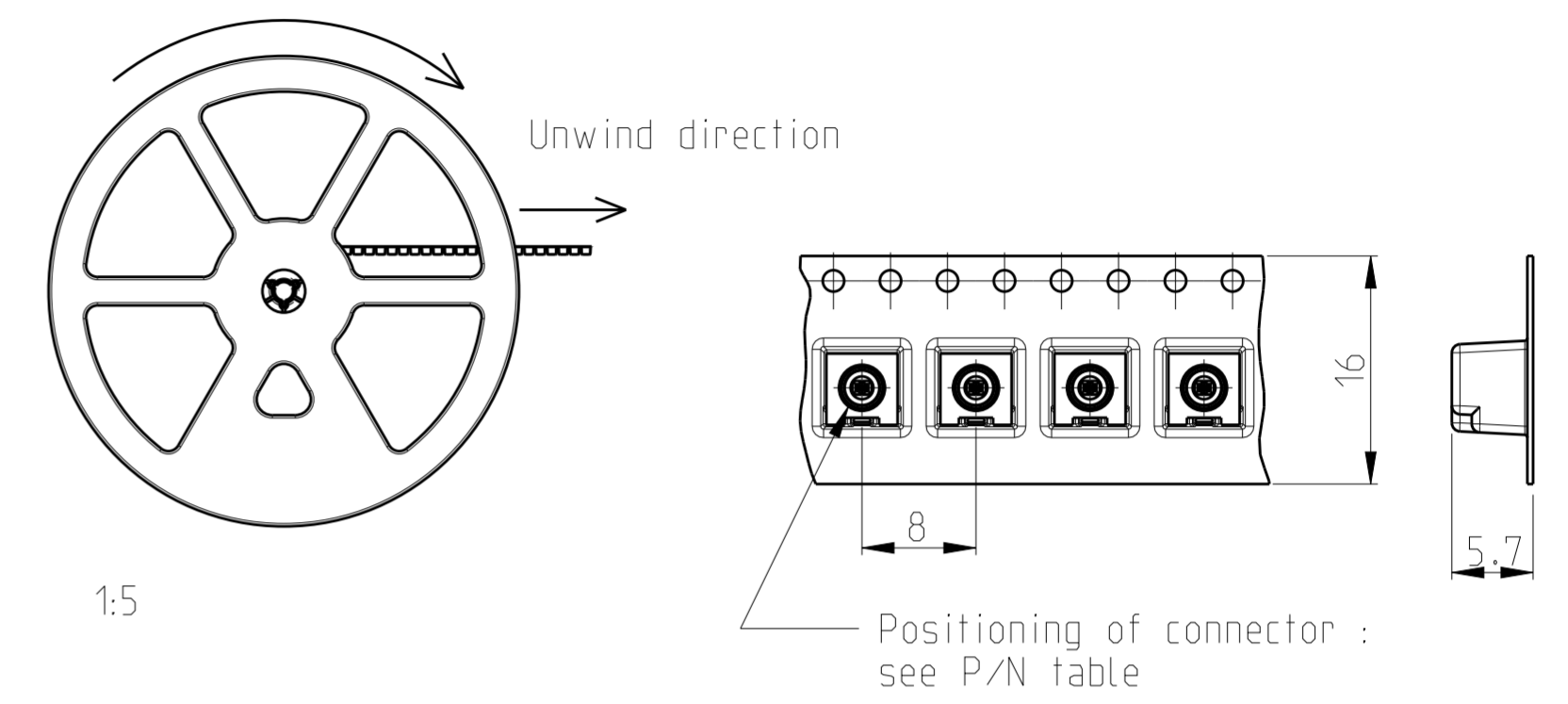
© 2019 TE Connectivity. All Rights Reserved.

REVISIONS					
P	LTR	DESCRIPTION	DATE	DWN	APVD
A2		ECR-19-006203	23APR2019	RZ	RS



Packaging : Tape on reel

Reel width : 22.4 mm
Reel diameter : 330 mm
Quantity per reel : 1500



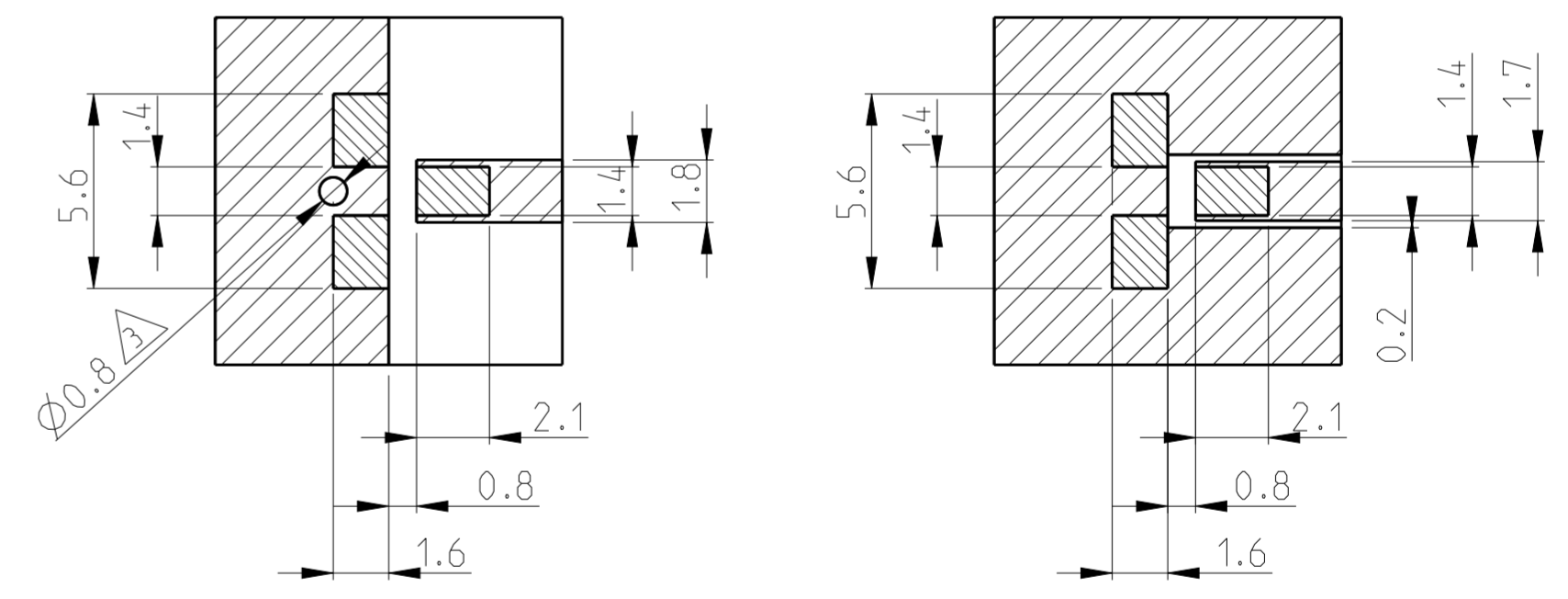
- ① Signal contact solder lead
- ② Partial Sn plating on ①
- 3) Interface dimensions in accordance with CECC22340
- 4) Comply with IEC 60286-3 and EIA-481
- ⑤ DIN ISO 8015; DIN ISO 2768-m-H

Solderpad layout

Micro strip

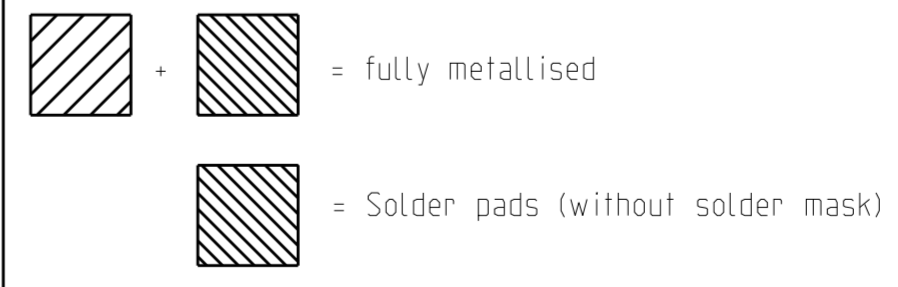
Soldering side

Coplanar



Bottom side : fully metallised

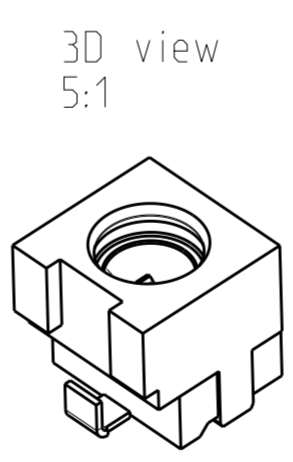
Bottom side : no requirements



Applicable for PCB :
1 mm thickness and FR4 material
All tolerances of solder pad layout : ±0.05

③ Plated through hole

Tyco part number	Style	Positioning in tape
6-1460820-1 (ROHS Compliant) ②	Straight 	Straight
6-1460820-2 (ROHS Compliant) ②	Right angled 	Right angled



1:1

Active part numbers : contact TE CONNECTIVITY for other configuration availability

THIS DRAWING IS A CONTROLLED DOCUMENT.		DWN AH 07OCT2005	TE Connectivity	
		CHK RL 12OCT2005		
DIMENSIONS: mm		APVD -	NAME SMD Jack, series MMCX	
TOLERANCES UNLESS OTHERWISE SPECIFIED: ⑤		PRODUCT SPEC -	-	
0 PLC ±		APPLICATION SPEC -	-	
1 PLC ±		WEIGHT -	-	
2 PLC ±		CUSTOMER DRAWING	SIZE A2	CAGE CODE 00779
3 PLC ±		SCALE 15:1	DRAWING NO C-1460820	RESTRICTED TO -
4 PLC ±		SHEET 1 OF 1	REV A2	
ANGLES ±				
FINISH -				

X-ON Electronics

Largest Supplier of Electrical and Electronic Components

Click to view similar products for [RF Connectors / Coaxial Connectors](#) category:

Click to view products by [TE Connectivity](#) manufacturer:

Other Similar products are found below :

[8915-1511-000](#) [89674-0827](#) [6001-7071-019](#) [6002-7051-003](#) [6002-7551-202](#) [6059674-1](#) [619550-1](#) [630059-000](#) [M39030/3-01N](#) [6500-7071-046](#) [6769](#) [CX050L2AQ](#) [7002-1541-010](#) [7002-1542-011](#) [7004-1512-000](#) [7009-1511-004](#) [7010-1511-000](#) [7029-1511-060](#) [7101-1541-010](#) [7101-1571-002](#) [7105-1521-002](#) [7145-1521-002](#) [7203-1571-003](#) [7209-1511-011](#) [7210-1511-015](#) [7210-1511-019](#) [73137-5015](#) [73216-2241](#) [73404-2300](#) [7405-1521-005](#) [7405-1521-802](#) [8527](#) [8547](#) [FS11V](#) [877931](#) [9049-9513-000](#) [9074-9513-000](#) [9101-9573-002](#) [910A205F](#) [9130-9573-002](#) [PL11SC-026](#) [PL375-33](#) [PL40-5](#) [PL74C-221](#) [PL75MC-217](#) [PL803-7](#) [1200690078](#) [1-201144-1](#) [R107003010W](#) [R110A172100](#)