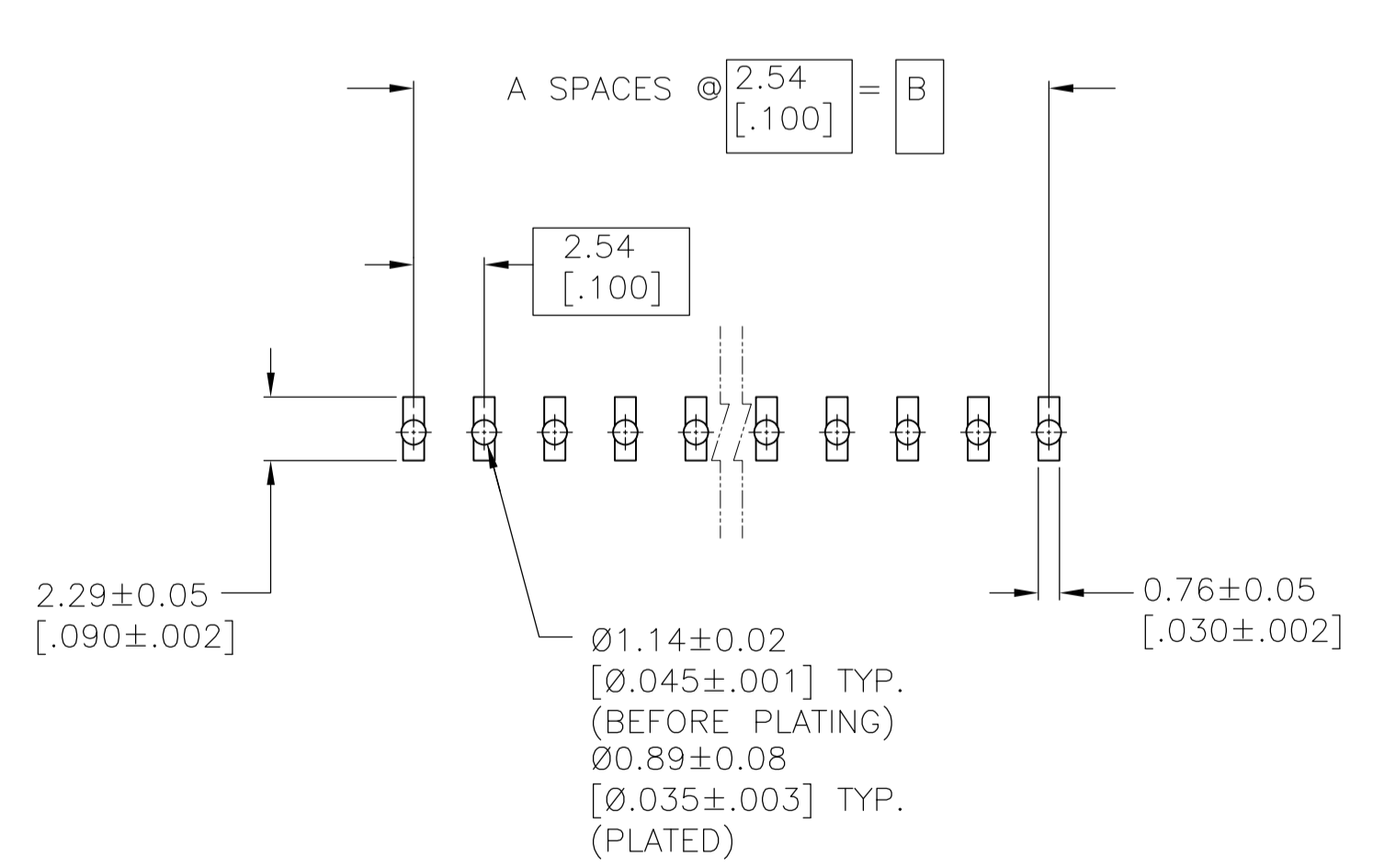
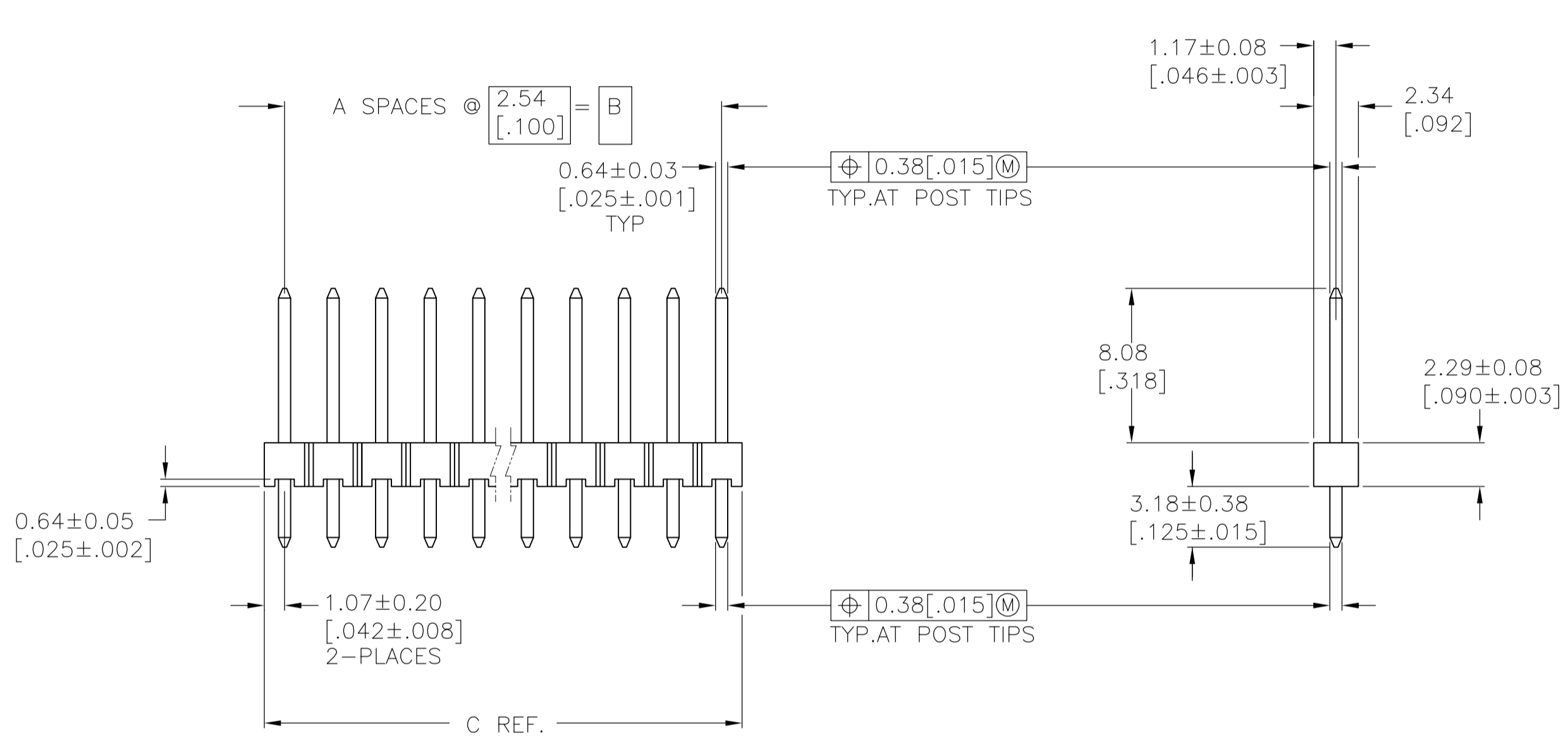


REVISIONS				
REV	DATE	BY	APPV	DESCRIPTION
H1	01SEP2016	NK	MM	ECO-16-012733

- 1 ASSEMBLY MAY BE BROKEN TO THE DESIRED NUMBER OF POSITIONS.
- 2 TRUE POSITION TOLERANCE OF THE POST TIPS APPLIES WHEN, THE HEADERS ARE HELD FLAT AGAINST THE PRINTED CIRCUIT BOARD.
- 3 0.00254-0.00504 [.000100-.000200] MATTE TIN-LEAD ON SOLDER TAIL, ALL OVER 0.00127 [.000050] NICKEL.
- 4 HOUSING: LCP, COLOR-BLACK. POSTS: COPPER ALLOY.
- 5 0.00254-0.00504 [.000100-.000200] MATTE TIN ON SOLDER TAIL, ALL OVER 0.00127 [.000050] NICKEL.
- 6 OBSOLETE PARTS: OBSOLETE CIS STREAMLINING PER D.RENAUD/D.SINISI.



RECOMMENDED PC BOARD MOUNTING DIMENSIONS FOR .063 [1.60] THICK PC BOARD AND .012 [.305] STENCIL THICK.

PLATING	C	B	A	NO. OF POSITIONS	PART NUMBER
	101.19	99.06	39	40	9-146274-0
	[3.984]	[3.900]			
	98.65	96.52	38	39	8-146274-9
	[3.884]	[3.800]			
	96.11	93.98	37	38	8-146274-8
	[3.784]	[3.700]			
	93.57	91.44	36	37	8-146274-7
	[3.684]	[3.600]			
	91.03	88.90	35	36	8-146274-6
	[3.584]	[3.500]			
	88.49	86.36	34	35	8-146274-5
	[3.484]	[3.400]			
	85.95	83.82	33	34	8-146274-4
	[3.384]	[3.300]			
	83.41	81.28	32	33	8-146274-3
	[3.284]	[3.200]			
	80.87	78.74	31	32	8-146274-2
	[3.184]	[3.100]			
	78.33	76.20	30	31	8-146274-1
	[3.084]	[3.000]			
	75.79	73.66	29	30	8-146274-0
	[2.984]	[2.900]			
	73.25	71.12	28	29	7-146274-9
	[2.884]	[2.800]			
	70.71	68.58	27	28	7-146274-8
	[2.784]	[2.700]			
	68.17	66.04	26	27	7-146274-7
	[2.684]	[2.600]			
	65.63	63.5	25	26	7-146274-6
	[2.584]	[2.500]			
	63.09	60.96	24	25	7-146274-5
	[2.484]	[2.400]			
	60.55	58.42	23	24	7-146274-4
	[2.384]	[2.300]			
	58.01	55.88	22	23	7-146274-3
	[2.284]	[2.200]			
	55.47	53.34	21	22	7-146274-2
	[2.184]	[2.100]			
	52.93	50.80	20	21	7-146274-1
	[2.084]	[2.000]			
	50.39	48.26	19	20	7-146274-0
	[1.984]	[1.900]			
	47.85	45.72	18	19	6-146274-9
	[1.884]	[1.800]			
	45.31	43.18	17	18	6-146274-8
	[1.784]	[1.700]			
	42.77	40.64	16	17	6-146274-7
	[1.684]	[1.600]			
	40.23	38.10	15	16	6-146274-6
	[1.584]	[1.500]			
	37.69	35.56	14	15	6-146274-5
	[1.484]	[1.400]			
	35.15	33.02	13	14	6-146274-4
	[1.384]	[1.300]			
	32.61	30.48	12	13	6-146274-3
	[1.284]	[1.200]			
	30.07	27.94	11	12	6-146274-2
	[1.184]	[1.100]			
	27.53	25.40	10	11	6-146274-1
	[1.084]	[1.000]			
	24.99	22.86	9	10	6-146274-0
	[.984]	[.900]			
	22.45	20.32	8	9	5-146274-9
	[.884]	[.800]			
	19.91	17.78	7	8	5-146274-8
	[.784]	[.700]			
	17.37	15.24	6	7	5-146274-7
	[.684]	[.600]			
	14.83	12.70	5	6	5-146274-6
	[.584]	[.500]			
	12.29	10.16	4	5	5-146274-5
	[.484]	[.400]			
	9.75	7.62	3	4	5-146274-4
	[.384]	[.300]			
	7.21	5.08	2	3	5-146274-3
	[.284]	[.200]			
	4.67	2.54	1	2	5-146274-2
	[.184]	[.100]			
	2.13	-	0	1	5-146274-1
	[.084]	[ - ]			

PLATING	C	B	A	NO. OF POSITIONS	PART NUMBER
	101.19	99.06	39	40	4-146274-0
	[3.984]	[3.900]			
	98.65	96.52	38	39	3-146274-9
	[3.884]	[3.800]			
	96.11	93.98	37	38	3-146274-8
	[3.784]	[3.700]			
	93.57	91.44	36	37	3-146274-7
	[3.684]	[3.600]			
	91.03	88.90	35	36	3-146274-6
	[3.584]	[3.500]			
	88.49	86.36	34	35	3-146274-5
	[3.484]	[3.400]			
	85.95	83.82	33	34	3-146274-4
	[3.384]	[3.300]			
	83.41	81.28	32	33	3-146274-3
	[3.284]	[3.200]			
	80.87	78.74	31	32	3-146274-2
	[3.184]	[3.100]			
	78.33	76.20	30	31	3-146274-1
	[3.084]	[3.000]			
	75.79	73.66	29	30	3-146274-0
	[2.984]	[2.900]			
	73.25	71.12	28	29	2-146274-9
	[2.884]	[2.800]			
	70.71	68.58	27	28	2-146274-8
	[2.784]	[2.700]			
	68.17	66.04	26	27	2-146274-7
	[2.684]	[2.600]			
	65.63	63.5	25	26	2-146274-6
	[2.584]	[2.500]			
	63.09	60.96	24	25	2-146274-5
	[2.484]	[2.400]			
	60.55	58.42	23	24	2-146274-4
	[2.384]	[2.300]			
	58.01	55.88	22	23	2-146274-3
	[2.284]	[2.200]			
	55.47	53.34	21	22	2-146274-2
	[2.184]	[2.100]			
	52.93	50.80	20	21	2-146274-1
	[2.084]	[2.000]			
	50.39	48.26	19	20	2-146274-0
	[1.984]	[1.900]			
	47.85	45.72	18	19	1-146274-9
	[1.884]	[1.800]			
	45.31	43.18	17	18	1-146274-8
	[1.784]	[1.700]			
	42.77	40.64	16	17	1-146274-7
	[1.684]	[1.600]			
	40.23	38.10	15	16	1-146274-6
	[1.584]	[1.500]			
	37.69	35.56	14	15	1-146274-5
	[1.484]	[1.400]			
	35.15	33.02	13	14	1-146274-4
	[1.384]	[1.300]			
	32.61	30.48	12	13	1-146274-3
	[1.284]	[1.200]			
	30.07	27.94	11	12	1-146274-2
	[1.184]	[1.100]			
	27.53	25.40	10	11	1-146274-1
	[1.084]	[1.000]			
	24.99	22.86	9	10	1-146274-0
	[.984]	[.900]			
	22.45	20.32	8	9	1-146274-9
	[.884]	[.800]			
	19.91	17.78	7	8	146274-8
	[.784]	[.700]			
	17.37	15.24	6	7	146274-7
	[.684]	[.600]			
	14.83	12.70	5	6	146274-6
	[.584]	[.500]			
	12.29	10.16	4	5	146274-5
	[.484]	[.400]			
	9.75	7.62	3	4	146274-4
	[.384]	[.300]			
	7.21	5.08	2	3	146274-3
	[.284]	[.200]			
	4.67	2.54	1	2	146274-2
	[.184]	[.100]			
	2.13	-	0	1	146274-1
	[.084]	[ - ]			

THIS DRAWING IS A CONTROLLED DOCUMENT.

STE TE Connectivity

HEADER ASSEMBLY, MOD II, BREAKAWAY, SINGLE ROW, HIGH TEMPERATURE, VERTICAL

00779-146274

SCALE 4:1 SHEET 1 OF 1 REV H1

## X-ON Electronics

Largest Supplier of Electrical and Electronic Components

*Click to view similar products for [Headers & Wire Housings](#) category:*

*Click to view products by [TE Connectivity](#) manufacturer:*

Other Similar products are found below :

[95000-104TRLF](#) [10135584-644402LF](#) [DF62W-EP2022PCA](#) [95000-106TRLF](#) [DF62W-2022SCA](#) [DF62W-EP2022PC](#) [2203348](#) [DF62W-2022SC](#) [1084018](#) [1029039](#) [1084017](#) [802-10-012-10-002000](#) [1112640](#) [1112639](#) [000-34000](#) [0009482033](#) [0009507031](#) [57102-S06-03LF](#) [57202-S52-04LF](#) [PCN6-15S-2.5E](#) [0039019024](#) [58102-G61-06LF](#) [582553-1](#) [0009508121](#) [0050291907](#) [018731A](#) [LY20-4P-DT1-P1E-BR](#) [02.125.8002.8](#) [60101931](#) [60598-1 \(Cut Strip\)](#) [M1625-3R/100](#) [61062-3](#) [61082-181009](#) [636-1427](#) [638009-1](#) [641938-9](#) [641991-4](#) [644168-1](#) [647662-1](#) [65039-019ELF](#) [65817-002LF](#) [65817-015LF](#) [65863-015LF](#) [66207-023LF](#) [67016-026LF](#) [67046-001LF](#) [67095-007LF](#) [68002-116](#) [68016-236H](#) [68648-049](#)