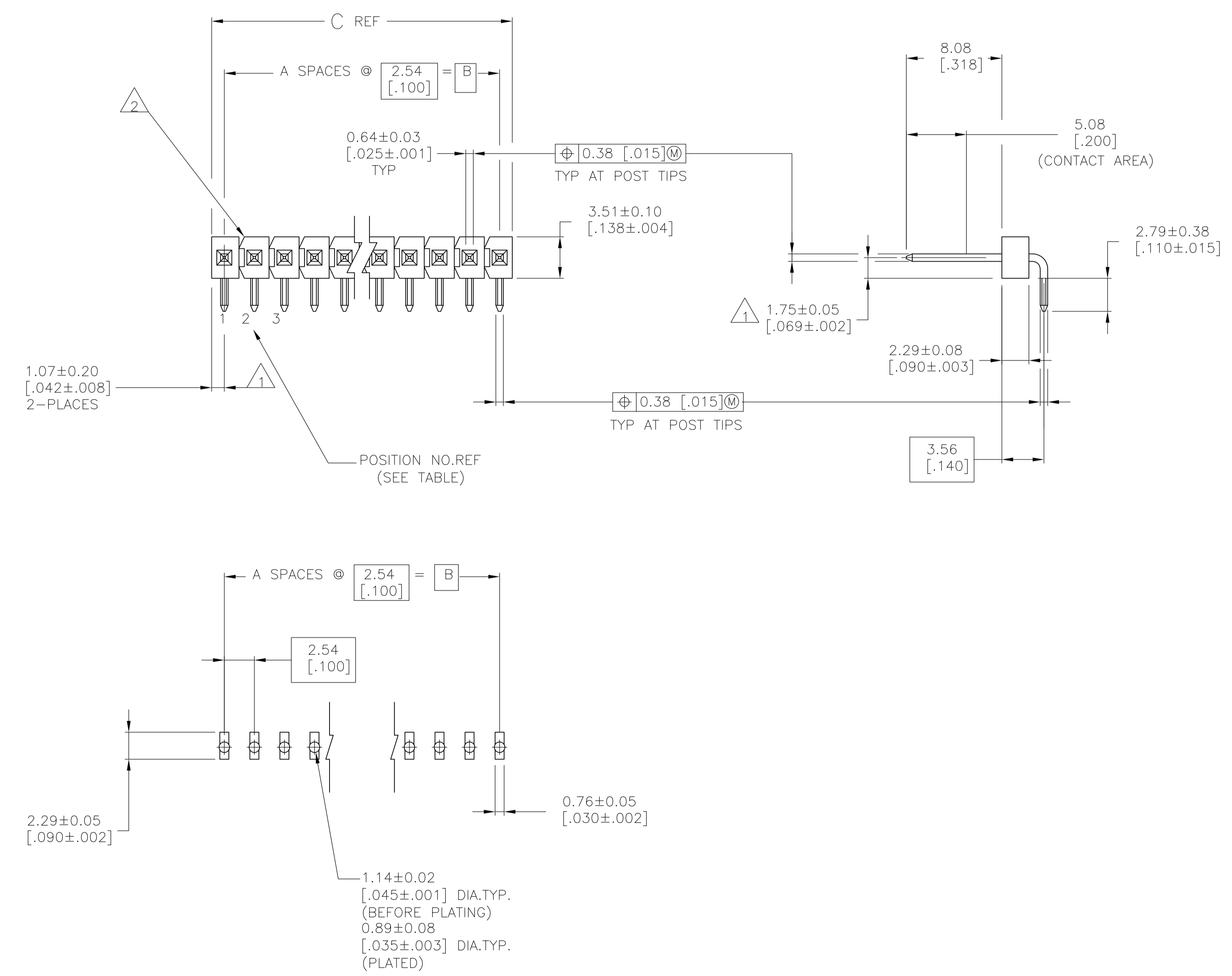


- 1 THE NOTED DIMENSIONS APPLY AT THE INTERSECTION OF THE POST AND HOUSING.
- 2 BREAKAWY NOTCH ANGLE CAN BE ORIENTED TO THE RIGHT ( AS SHOWN ) OR TO THE LEFT
- 3 0.000762 [.000030] GOLD ON CONTACT AREA, 0.00254-0.00508 [.000100-.000200] MATTE TIN-LEAD ON SOLDER TAIL, ALL OVER 0.00127 [.000050] NICKEL.
- 4 HOUSING: GLASS FILLED THERMOPLASTIC, COLOR, BLACK. ( WILL WITHSTAND VAPOR PHASE REFLOW.) CONTACT: COPPER ALLOY.
- 5 0.000762 [.000030] GOLD ON CONTACT AREA, 0.00254-0.00508 [.000100-.000200] MATTE TIN ON SOLDER TAIL, ALL OVER 0.00127 [.000050] NICKEL.
- 6 OBSOLETE PARTS: OBSOLETE CIS STREAMLINING PER D.RENAUD/D.SINISI



RECOMMENDED PC BOARD MOUNTING DIMENSIONS FOR .063 [.160] THICK PC BOARD AND .012 [.305] STENCIL THICK.

PLATING	C	B	A	NO. OF POSITIONS	PART NUMBER	
3	101.19 [3.984]	99.06 [3.900]		39	40	4-146305-0
3	98.65 [3.884]	96.52 [3.800]		38	39	3-146305-9
3	96.11 [3.784]	93.98 [3.700]		37	38	3-146305-8
3	93.57 [3.684]	91.44 [3.600]		36	37	3-146305-7
3	91.03 [3.584]	88.90 [3.500]		35	36	3-146305-6
3	88.49 [3.484]	86.36 [3.400]		34	35	3-146305-5
3	85.95 [3.384]	83.82 [3.300]		33	34	3-146305-4
3	83.41 [3.284]	81.28 [3.200]		32	33	3-146305-3
3	80.87 [3.184]	78.74 [3.100]		31	32	3-146305-2
3	78.33 [3.084]	76.20 [3.000]		30	31	3-146305-1
3	75.79 [2.984]	73.66 [2.900]		29	30	3-146305-0
3	73.25 [2.884]	71.12 [2.800]		28	29	2-146305-9
3	70.71 [2.784]	68.58 [2.700]		27	28	2-146305-8
3	68.17 [2.684]	66.04 [2.600]		26	27	2-146305-7
3	65.63 [2.584]	63.5 [2.500]		25	26	2-146305-6
3	63.09 [2.484]	60.96 [2.400]		24	25	2-146305-5
3	60.55 [2.384]	58.42 [2.300]		23	24	2-146305-4
3	58.01 [2.284]	55.88 [2.200]		22	23	2-146305-3
3	55.47 [2.184]	53.34 [2.100]		21	22	2-146305-2
3	52.93 [2.084]	50.80 [2.000]		20	21	2-146305-1
3	50.39 [1.984]	48.26 [1.900]		19	20	2-146305-0
3	47.85 [1.884]	45.72 [1.800]		18	19	1-146305-9
3	45.31 [1.784]	43.18 [1.700]		17	18	1-146305-8
3	42.77 [1.684]	40.64 [1.600]		16	17	1-146305-7
3	40.23 [1.584]	38.10 [1.500]		15	16	1-146305-6
3	37.69 [1.484]	35.56 [1.400]		14	15	1-146305-5
6 SUPERSEDED	35.15 [1.384]	33.02 [1.300]		13	14	1-146305-4
3	32.61 [1.284]	30.48 [1.200]		12	13	1-146305-3
6 OBSOLETE	30.07 [1.184]	27.94 [1.100]		11	12	1-146305-2
3	27.53 [1.084]	25.40 [1.000]		10	11	1-146305-1
3	24.99 [.984]	22.86 [.900]		9	10	1-146305-0
6 SUPERSEDED	22.45 [.884]	20.32 [.800]		8	9	1-146305-9
6 OBSOLETE	19.91 [.784]	17.78 [.700]		7	8	1-146305-8
6 OBSOLETE	17.37 [.684]	15.24 [.600]		6	7	1-146305-7
6 SUPERSEDED	14.83 [.584]	12.70 [.500]		5	6	1-146305-6
3	12.29 [.484]	10.16 [.400]		4	5	1-146305-5
3	9.75 [.384]	7.62 [.300]		3	4	1-146305-4
6 OBSOLETE	7.21 [.284]	5.08 [.200]		2	3	1-146305-3
6 SUPERSEDED	4.67 [.184]	2.54 [.100]		1	2	1-146305-2
6 OBSOLETE	2.13 [.084]	-		0	1	1-146305-1

THIS DRAWING IS A CONTROLLED DOCUMENT. DIN I. HOFFMAN 21JUN95

CHK G. DUBNICZKI

APVD G. DUBNICZKI

NAME: HEADER ASSEMBLY, MOD II, BREAKAWAY, HIGH TEMPERATURE, RIGHT ANGLE, SINGLE ROW, W/.025 SQUARE POSTS

PRODUCT SPEC: -

APPLICATION SPEC: -

SIZE: A1

WEIGHT: -

DRAWING NO: 00779

DRAWING NO: 146305


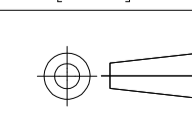
CUSTOMER DRAWING

SCALE: 4:1

SHEET 1 OF 2

REV C

OBSOLETE	△5	101.19 [3.984]	99.06 [3.900]	39	40	9-146305-0	
	△5	98.65 [3.884]	96.52 [3.800]	38	39	8-146305-9	
	△5	96.11 [3.784]	93.98 [3.700]	37	38	8-146305-8	
	△5	93.57 [3.684]	91.44 [3.600]	36	37	8-146305-7	
	△5	91.03 [3.584]	88.90 [3.500]	35	36	8-146305-6	
	△5	88.49 [3.484]	86.36 [3.400]	34	35	8-146305-5	
	△5	85.95 [3.384]	83.82 [3.300]	33	34	8-146305-4	
	△5	83.41 [3.284]	81.28 [3.200]	32	33	8-146305-3	
	△5	80.87 [3.184]	78.74 [3.100]	31	32	8-146305-2	
	△5	78.33 [3.084]	76.20 [3.000]	30	31	8-146305-1	
	△5	75.79 [2.984]	73.66 [2.900]	29	30	8-146305-0	
	△5	73.25 [2.884]	71.12 [2.800]	28	29	7-146305-9	
	△5	70.71 [2.784]	68.58 [2.700]	27	28	7-146305-8	
	△5	68.17 [2.684]	66.04 [2.600]	26	27	7-146305-7	
	△5	65.63 [2.584]	63.5 [2.500]	25	26	7-146305-6	
	△5	63.09 [2.484]	60.96 [2.400]	24	25	7-146305-5	
	△5	60.55 [2.384]	58.42 [2.300]	23	24	7-146305-4	
	△5	58.01 [2.284]	55.88 [2.200]	22	23	7-146305-3	
	△5	55.47 [2.184]	53.34 [2.100]	21	22	7-146305-2	
	△5	52.93 [2.084]	50.80 [2.000]	20	21	7-146305-1	
	△5	50.39 [1.984]	48.26 [1.900]	19	20	7-146305-0	
	△5	47.85 [1.884]	45.72 [1.800]	18	19	6-146305-9	
	△5	45.31 [1.784]	43.18 [1.700]	17	18	6-146305-8	
	△5	42.77 [1.684]	40.64 [1.600]	16	17	6-146305-7	
	△5	40.23 [1.584]	38.10 [1.500]	15	16	6-146305-6	
	△5	37.69 [1.484]	35.56 [1.400]	14	15	6-146305-5	
	△5	35.15 [1.384]	33.02 [1.300]	13	14	6-146305-4	
	OBSOLETE	△5	32.61 [1.284]	30.48 [1.200]	12	13	6-146305-3
		△5	30.07 [1.184]	27.94 [1.100]	11	12	6-146305-2
		△5	27.53 [1.084]	25.40 [1.000]	10	11	6-146305-1
	OBSOLETE	△5	24.99 [.984]	22.86 [.900]	9	10	6-146305-0
		△5	22.45 [.884]	20.32 [.800]	8	9	5-146305-9
		△5	19.91 [.784]	17.78 [.700]	7	8	5-146305-8
	OBSOLETE	△5	17.37 [.684]	15.24 [.600]	6	7	5-146305-7
		△5	14.83 [.584]	12.70 [.500]	5	6	5-146305-6
		△5	12.29 [.484]	10.16 [.400]	4	5	5-146305-5
	OBSOLETE	△5	9.75 [.384]	7.62 [.300]	3	4	5-146305-4
		△5	7.21 [.284]	5.08 [.200]	2	3	5-146305-3
	OBSOLETE	△5	4.67 [.184]	2.54 [.100]	1	2	5-146305-2
OBSOLETE	△5	2.13 [.084]	[ - ]	0	1	5-146305-1	
PLATING		C	B	A	NO. OF POSITIONS	PART NUMBER	

THIS DRAWING IS A CONTROLLED DOCUMENT.		DIN I. HOFFMAN 21JUN95	 TE Connectivity
DIMENSIONS: mm [INCHES]		TOLERANCES UNLESS OTHERWISE SPECIFIED: 0 PLC ± - 1 PLC ± - 2 PLC ± 0.51[.02] 3 PLC ± 0.127[.005] 4 PLC ± 0.0127[.0005] ANGLES ± -	
		CIK G. DUBNICZKI APVD G. DUBNICZKI PRODUCT SPEC - APPLICATION SPEC - WEIGHT - CUSTOMER DRAWING	NAME HEADER ASSEMBLY, MOD II, BREAKAWAY, HIGH TEMPERATURE, RIGHT ANGLE, SINGLE ROW, W/.025 SQUARE POSTS SIZE A1 CASE CODE 00779 DRAWING NO. 146305 SCALE 1:1 SHEET 2 OF 2 REV C

## X-ON Electronics

Largest Supplier of Electrical and Electronic Components

*Click to view similar products for [Headers & Wire Housings](#) category:*

*Click to view products by [TE Connectivity](#) manufacturer:*

Other Similar products are found below :

[892-18-020-10-001101](#) [58102-G61-06LF](#) [582553-1](#) [0009485154](#) [009176003701906](#) [0050291907](#) [LY20-4P-DT1-P1E-BR](#) [02.125.8002.8](#)  
[609-3404](#) [61062-3](#) [61082-181009](#) [622-3653LF](#) [63453-116](#) [636-1030](#) [636-1427](#) [636-3427](#) [636-4007](#) [641938-9](#) [641991-4](#) [644827-2](#) [65817-](#)  
[010LF](#) [65817-015LF](#) [65863-015LF](#) [66207-023LF](#) [67095-007LF](#) [67601157](#) [68645-018](#) [68648-049](#) [70.362.1628.0](#) [70-4210](#) [70-4226B](#) [70-](#)  
[4853B](#) [707-5020](#) [707-5028](#) [71.350.2428.0](#) [71918-208LF](#) [71961-016LF](#) [733-134](#) [733-162](#) [754199-000](#) [760-3052](#) [787-8014-00](#) [79531-3000](#)  
[FCN-360C032-B](#) [FCN-367T-T012/H](#) [FCN-723D010/2](#) [80.063.4001.1](#) [800-90-001-10-001000](#) [800-90-010-10-002000](#) [801-43-002-10-013000](#)