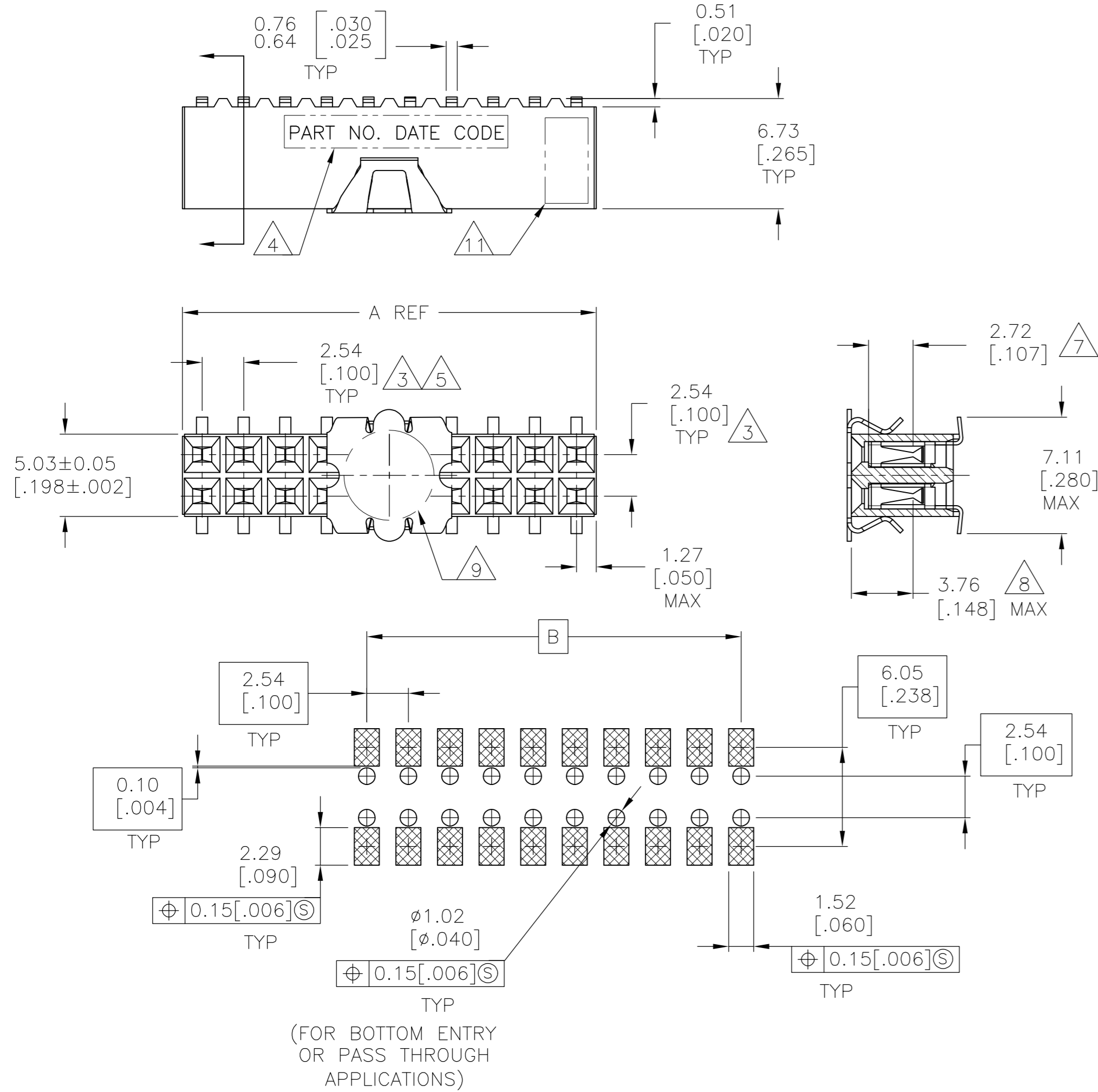


THIS DRAWING IS UNPUBLISHED. RELEASED FOR PUBLICATION
 © COPYRIGHT - By - ALL RIGHTS RESERVED.

LOC	DIST	REVISIONS					
		P	LTR	DESCRIPTION	DATE	DWN	APVD
AD	00	J9		REVISED PER ECO-13-005565	01APR13	KH	JO

FOR PART NUMBERS 5-147105-1 THRU 9-147105-0
 SEE SHEET 2



RECOMMENDED PC BOARD LAYOUT
 0.20[.008] THICK STENCIL

FINISH	EIA TAPE WIDTH	B	A	NO. OF POSN.	PART NUMBER
12	24mm	-	2.54 [.100]	2	147105-1
				4	147105-2
				6	147105-3
				8	147105-4
				10	147105-5
				12	147105-6
				14	147105-7
				16	147105-8
				18	147105-9
				20	1-147105-0
				22	1-147105-1
				24	1-147105-2
				26	1-147105-3
				28	1-147105-4
				30	1-147105-5
				32	1-147105-6
				34	1-147105-7
				36	1-147105-8
				38	1-147105-9
				40	2-147105-0
				42	2-147105-1
				44	2-147105-2
				46	2-147105-3
				48	2-147105-4
50	2-147105-5				
52	2-147105-6				
54	2-147105-7				
56	2-147105-8				
58	2-147105-9				
60	3-147105-0				
62	3-147105-1				
64	3-147105-2				
66	3-147105-3				
68	3-147105-4				
70	3-147105-5				
72	3-147105-6				
74	3-147105-7				
76	3-147105-8				
78	3-147105-9				
80	4-147105-0				
82	4-147105-1				
84	4-147105-2				
86	4-147105-3				
88	4-147105-4				
90	4-147105-5				
92	4-147105-6				
94	4-147105-7				
96	4-147105-8				
98	4-147105-9				
100	5-147105-0				
102	5-147105-1				
104	5-147105-2				
106	5-147105-3				
108	5-147105-4				
110	5-147105-5				
112	5-147105-6				
114	5-147105-7				
116	5-147105-8				
118	5-147105-9				
120	6-147105-0				
122	6-147105-1				
124	6-147105-2				
126	6-147105-3				
128	6-147105-4				
130	6-147105-5				
132	6-147105-6				
134	6-147105-7				
136	6-147105-8				
138	6-147105-9				
140	7-147105-0				
142	7-147105-1				
144	7-147105-2				
146	7-147105-3				
148	7-147105-4				
150	7-147105-5				
152	7-147105-6				
154	7-147105-7				
156	7-147105-8				
158	7-147105-9				
160	8-147105-0				
162	8-147105-1				
164	8-147105-2				
166	8-147105-3				
168	8-147105-4				
170	8-147105-5				
172	8-147105-6				
174	8-147105-7				
176	8-147105-8				
178	8-147105-9				
180	9-147105-0				
182	9-147105-1				
184	9-147105-2				
186	9-147105-3				
188	9-147105-4				
190	9-147105-5				
192	9-147105-6				
194	9-147105-7				
196	9-147105-8				
198	9-147105-9				

THIS DRAWING IS A CONTROLLED DOCUMENT.

DIMENSIONS: mm [INCHES]

TOLERANCES UNLESS OTHERWISE SPECIFIED:

0 PLC	± -
1 PLC	± -
2 PLC	± .005[0.13]
3 PLC	± -
4 PLC	± -
ANGLES	± -

MATERIAL: 1 SEE TABLE

FINISH: 1

THIS DRAWING IS A CONTROLLED DOCUMENT.

DWN: M.BINNER 06NOV02

CHK: J.OLSON 06NOV02

APVD: J.OLSON 06NOV02

PRODUCT SPEC: -

APPLICATION SPEC: 108-25022

WEIGHT: 114-25018

CUSTOMER DRAWING

NAME: RECEPTACLE ASSEMBLY, MOD IV, DOUBLE ROW, DUAL ENTRY, .100X.100CL, SURFACE MOUNT, AMPMODU

SIZE: A2

CAGE CODE: 00779

DRAWING NO: C=147105

RESTRICTED TO: -

SCALE: 4:1

SHEET: 1 OF 2

REV: J9

TE Connectivity


THIS DRAWING IS UNPUBLISHED. RELEASED FOR PUBLICATION
 © COPYRIGHT - By - ALL RIGHTS RESERVED.

LOC	DIST	REVISIONS					
AD	00	P	LTR	DESCRIPTION	DATE	DWN	APVD
		-		SEE SHEET 1		-	-

- 1 HOUSING: FLAME RETARDANT, GLASS FILLED, POLYESTER, COLOR: BLACK.
CONTACT: PHOSPHOR BRONZE
VACUUM COVER: STAINLESS STEEL
- 2 CONTACT: DUPLEX PLATED 0.76µm[.000030] GOLD IN CONTACT AREA, 3.81-7.62µm[.000150-.000300] BRIGHT TIN-LEAD ON, LEADS, ALL OVER 1.27µm[.000050] MINIMUM NICKEL
- 3 THESE DIMENSIONS PERTAIN TO CAVITY CENTERLINES ONLY NOT TO CONTACT LOCATIONS
- 4 MARK PART NUMBER AND DATE CODE, IN APPROXIMATE LOCATION SHOWN, EITHER SIDE.
- 5 TOLERANCE IS NON-CUMULATIVE.
- 6 2 POSITION DATE CODE IS MARKED OPPOSITE SIDE OF TE CONNECTIVITY LOGO.
- 7 POINT OF MEASUREMENT DIMENSION FOR PLATING THICKNESS (INSIDE CONTACT BEAM).
- 8 POINT-OF-CONTACT DIMENSION.
- 9 ø5.51[.217] MIN TARGET AREA FOR VACUUM PICK UP. COVER TO BE REMOVED AFTER SOLDERING.
- 10 PACKAGED IN TAPE & REEL PER EIA 481 SPECIFICATION.
- 11 TE CONNECTIVITY TRADEMARK AND CSA LOGO ARE MOLDED INTO HOUSING.
- 12 NO PART NUMBER REQUIRED ON THIS PART.
- 13 CONTACT: DUPLEX PLATE CONNECTIVITYD 0.76µm[.000030] GOLD IN CONTACT AREA, 3.81-7.62µm[.000150-.000300] MATTE TIN ON LEADS, ALL OVER 1.27µm[.000050] MINIMUM NICKEL.
- 14 ROHS 2002/95/EC COMPLIANT.
- 15 SUPERRSEDED BY 6-147105-5
- 16 SUPERRSEDED BY 6-147105-8
- 17 SUPERRSEDED BY 7-147105-2
- 18 SUPERRSEDED BY 8-147105-0

120mm	99.06[3.900]	101.60[4.000]	80	9-147105-0
	96.52[3.800]	99.06[3.900]	78	8-147105-9
	93.98[3.700]	96.52[3.800]	76	8-147105-8
	91.44[3.600]	93.98[3.700]	74	8-147105-7
	88.90[3.500]	91.44[3.600]	72	8-147105-6
	86.36[3.400]	88.90[3.500]	70	8-147105-5
	83.82[3.300]	86.36[3.400]	68	8-147105-4
	81.28[3.200]	83.82[3.300]	66	8-147105-3
	78.74[3.100]	81.28[3.200]	64	8-147105-2
	76.20[3.000]	78.74[3.100]	62	8-147105-1
	73.66[2.900]	76.20[3.000]	60	8-147105-0
	71.12[2.800]	73.66[2.900]	58	7-147105-9
88mm	68.58[2.700]	71.12[2.800]	56	7-147105-8
	66.04[2.600]	68.58[2.700]	54	7-147105-7
	63.50[2.500]	66.04[2.600]	52	7-147105-6
	60.96[2.400]	63.50[2.500]	50	7-147105-5
	58.42[2.300]	60.96[2.400]	48	7-147105-4
72mm	55.88[2.200]	58.42[2.300]	46	7-147105-3
	53.34[2.100]	55.88[2.200]	44	7-147105-2
	50.80[2.000]	53.34[2.100]	42	7-147105-1
	48.26[1.900]	50.80[2.000]	40	7-147105-0
	45.72[1.800]	48.26[1.900]	38	6-147105-9
	43.18[1.700]	45.72[1.800]	36	6-147105-8
	40.64[1.600]	43.18[1.700]	34	6-147105-7
	38.10[1.500]	40.64[1.600]	32	6-147105-6
	35.56[1.400]	38.10[1.500]	30	6-147105-5
	33.02[1.300]	35.56[1.400]	28	6-147105-4
44mm	30.48[1.200]	33.02[1.300]	26	6-147105-3
	27.94[1.100]	30.48[1.200]	24	6-147105-2
	25.40[1.000]	27.94[1.100]	22	6-147105-1
	22.86[.900]	25.40[1.000]	20	6-147105-0
	20.32[.800]	22.86[.900]	18	5-147105-9
	17.78[.700]	20.32[.800]	16	5-147105-8
	15.24[.600]	17.78[.700]	14	5-147105-7
	12.70[.500]	15.24[.600]	12	5-147105-6
	10.16[.400]	12.70[.500]	10	5-147105-5
	7.62[.300]	10.16[.400]	8	5-147105-4
24mm	5.08[.200]	7.62[.300]	6	5-147105-3
	2.54[.100]	5.08[.200]	4	5-147105-2
OBSELETE		2.54[.100]	2	5-147105-1

FINISH	EIA TAPE WIDTH	B	A	NO.OF POSN.	PART NUMBER

THIS DRAWING IS A CONTROLLED DOCUMENT.		DWN M.BINNER 06NOV02	 TE Connectivity
DIMENSIONS: mm [INCHES]		CHK J.OLSON 06NOV02	
TOLERANCES UNLESS OTHERWISE SPECIFIED:		APVD J.OLSON 06NOV02	
0 PLC ± - 1 PLC ± - 2 PLC ± .005[0.13] 3 PLC ± - 4 PLC ± - ANGLES ± -		NAME	
MATERIAL		PRODUCT SPEC	RECEPTACLE ASSEMBLY, MOD IV, DOUBLE ROW, DUAL ENTRY, .100X.100CL, SURFACE MOUNT, AMPMODU
FINISH		APPLICATION SPEC	SIZE CAGE CODE DRAWING NO RESTRICTED TO
SEE TABLE		108-25022	A2 00779 C=147105
		WEIGHT 114-25018	SCALE 1:1 SHEET 2 OF 2 REV J9
		CUSTOMER DRAWING	

X-ON Electronics

Largest Supplier of Electrical and Electronic Components

Click to view similar products for [Headers & Wire Housings](#) category:

Click to view products by [TE Connectivity](#) manufacturer:

Other Similar products are found below :

[892-18-020-10-001101](#) [58102-G61-06LF](#) [582553-1](#) [0009485154](#) [009176003701906](#) [0050291907](#) [LY20-4P-DT1-P1E-BR](#) [02.125.8002.8](#)
[609-3404](#) [61062-3](#) [61082-181009](#) [622-3653LF](#) [63453-116](#) [636-1030](#) [636-1427](#) [636-3427](#) [636-4007](#) [641938-9](#) [641991-4](#) [644827-2](#) [65817-](#)
[010LF](#) [65817-015LF](#) [65863-015LF](#) [66207-023LF](#) [67095-007LF](#) [67601157](#) [68645-018](#) [68648-049](#) [70.362.1628.0](#) [70-4210](#) [70-4226B](#) [70-](#)
[4853B](#) [707-5020](#) [707-5028](#) [71.350.2428.0](#) [71918-208LF](#) [71961-016LF](#) [733-134](#) [733-162](#) [754199-000](#) [760-3052](#) [79531-3000](#) [FCN-](#)
[360C032-B](#) [FCN-367T-T012/H](#) [FCN-723D010/2](#) [80.063.4001.1](#) [800-90-010-10-002000](#) [801-43-002-10-013000](#) [801-43-006-10-002000](#)
[801-93-011-10-001000](#)