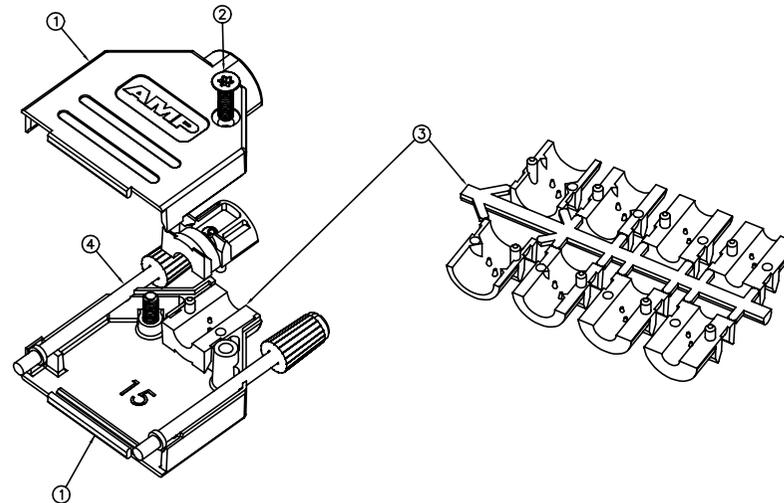
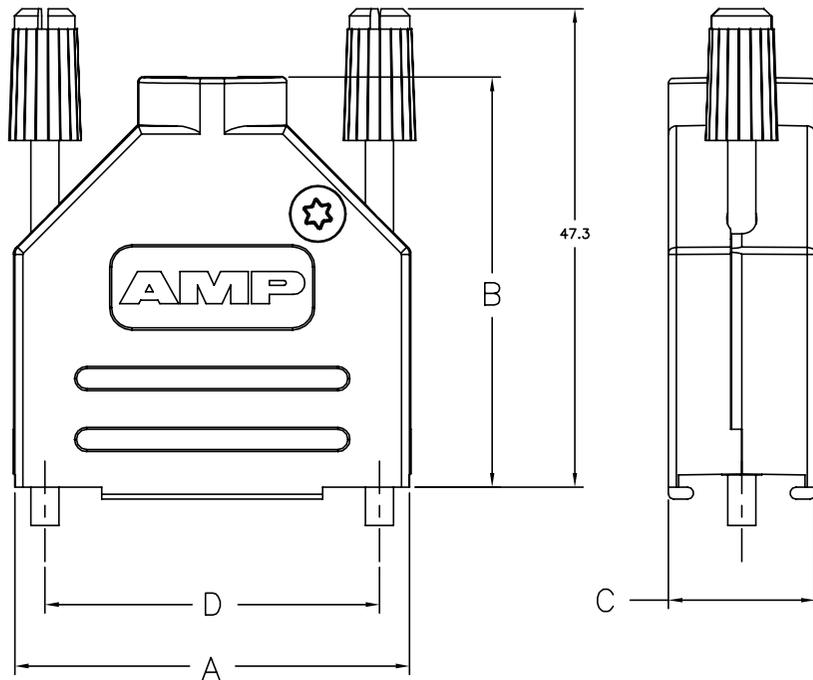


REVISIONS					
P	LTR	DESCRIPTION	DATE	DWN	APVD
N		REVISED PER ECN-21-102828	09MAY2012	AK	SZ



1. FOR ASSEMBLY DETAILS, REFER TO LEAFLET 2227518-1.
2. BULK PACKAGED BACKSHELL ASSEMBLIES:
ITEM 1, 200 BACKSHELL HALVES, LOOSE IN BOX. ITEMS 2 THRU 4, 100 TIMES QTY SHOWN IN TABLE IN 1 BAG FOR EACH ITEM. ALL BAGS IN 1 BOX WITH (1) 2227518-1 LEAFLET.
3. INDIVIDUALLY PACKAGED SHELL ASSEMBLIES:
1 BAG CONTAINS ALL COMPONENTS FOR 1 COMPLETE ASSEMBLY. 100 BAGS PER BOX, (1) 2227518-1 LEAFLET PER BOX.
4. TERMINATES 4.0-13.0 CABLE DIAMETERS.
5. 15 POSITION SHOWN.
6. TRIVALENT CHROMIUM CHROMATE COATING OVER ZINC PLATING.
7. OPTIONAL CABLE CRIMP KIT AVAILABLE FOR 6.0-9.5 DIAMETER CABLE. SEE 1478764.

△	47.0	14.6	47.3	53.2	POZIDRIV	M3	3	25 WAY	6-1478762-7	
△	33.3	14.6	40.5	39.5	POZIDRIV	M3	2	15 WAY	6-1478762-6	
OBSELETE	△	25.0	14.6	38.3	31.0	POZIDRIV	M3	1	9 WAY	6-1478762-5
△	63.5	15.0	52.2	69.7	TORX	4-40 UNC	4	37 WAY	5-1478762-4	
△	47.0	14.6	47.3	53.2	TORX	4-40 UNC	3	25 WAY	5-1478762-3	
△	33.3	14.6	40.5	39.5	TORX	4-40 UNC	2	15 WAY	5-1478762-2	
△	25.0	14.6	38.3	31.0	TORX	4-40 UNC	1	9 WAY	5-1478762-1	
△	63.5	15.0	52.2	69.7	TORX	4-40 UNC	4	37 WAY	3-1478762-7	
△	47.0	14.6	47.3	53.2	TORX	4-40 UNC	3	25 WAY	2-1478762-5	
△	33.3	14.6	40.5	39.5	TORX	4-40 UNC	2	15 WAY	1-1478762-5	
△	25.0	14.6	38.3	31.0	TORX	4-40 UNC	1	9 WAY	1478762-9	
PACKAGING	D	C	B	A	SELF TAPPING FIXING SCREW TYPE	JACKSCREW THREAD	SHELL SIZE	POSITION	PART NUMBER	

ITEM	DESCRIPTION	MATERIAL	FINISH	QTY
4	JACKSCREW ASSEMBLY, 4-40	POLYAMIDE, UL94 V2 KNOB CARBON STEEL SHAFT	BLACK 6	2
3	STRAIN RELIEF SET	POLYCARBONATE UL94 V0	BLACK	1
2	SELF TAPPING FIXING SCREW	CARBON STEEL	6	2
1	BACKSHELL HALF	ZINC	NICKEL	2

THIS DRAWING IS A CONTROLLED DOCUMENT. DIMENSIONING AND TOLERANCING PER ASME Y14.5M-2009

DW: C. VALENTINE 03/AN/2012
CHK: C. ROHDE 03/AN/2012
APVD: C. ROHDE 03/AN/2012

TE Connectivity
ADK SERIES DIE-CAST BACKSHELL, STRAIGHT ENTRY

SIZE: A2 CAGE CODE: 00779 DRAWING NO: 1478762
RESTRICTED TO: N

CUSTOMER DRAWING SCALE: NTS SHEET: 1 of 1 REV: N

X-ON Electronics

Largest Supplier of Electrical and Electronic Components

Click to view similar products for [D-Sub Backshells](#) category:

Click to view products by [TE Connectivity](#) manufacturer:

Other Similar products are found below :

[M85049/6-38N](#) [M85049/86-12N03](#) [M85049/90-13P03](#) [70.350.0636.4](#) [70.350.2435.1](#) [72.350.1035.2](#) [72.352.2435.1](#) [73.359.4035.3](#) [829472-1](#)
[PCS-E20W](#) [970-015-040R011](#) [970-025-040R011](#) [971-009-030R121](#) [971-009-040R011](#) [971-015-040R011](#) [1437013-9](#) [1484402-8](#) [156-3025-](#)
[EX](#) [16-500800](#) [165X02659X](#) [165X03329A](#) [165X03399A](#) [165X10259X](#) [165X11759X](#) [165X11889X](#) [165X13019X](#) [165X13029X](#)
[165X13169X](#) [165X13199X](#) [165X13239X](#) [165X13389X](#) [165X13489X](#) [165X14219X](#) [165X14449X](#) [165X17409X](#) [165X17439X](#)
[165X17569X](#) [165X17599X](#) [165X17609X](#) [165X17889X](#) [165X17979X](#) [L171373](#) [971-025-030R121](#) [300X10989X](#) [165X02609X](#)
[165X02639X](#) [165X02689X](#) [165X04219A](#) [165X10469X](#) [165X11279X](#)