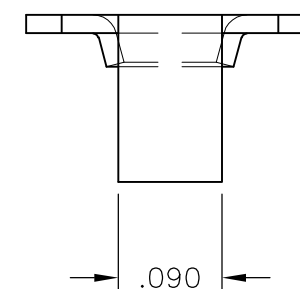
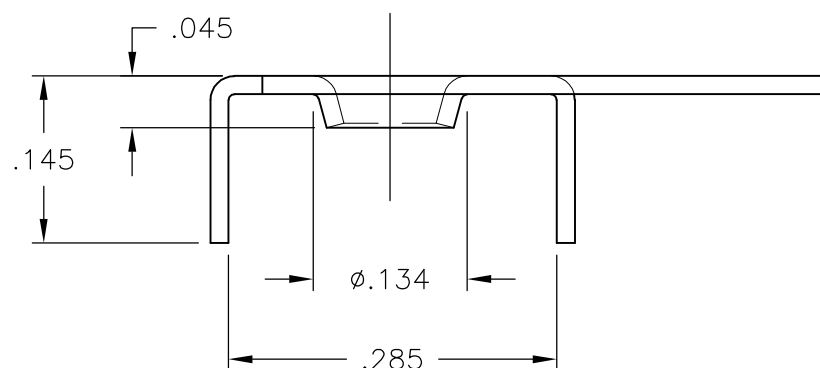
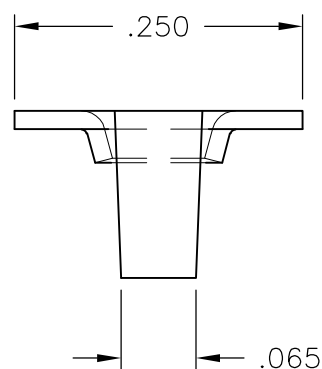
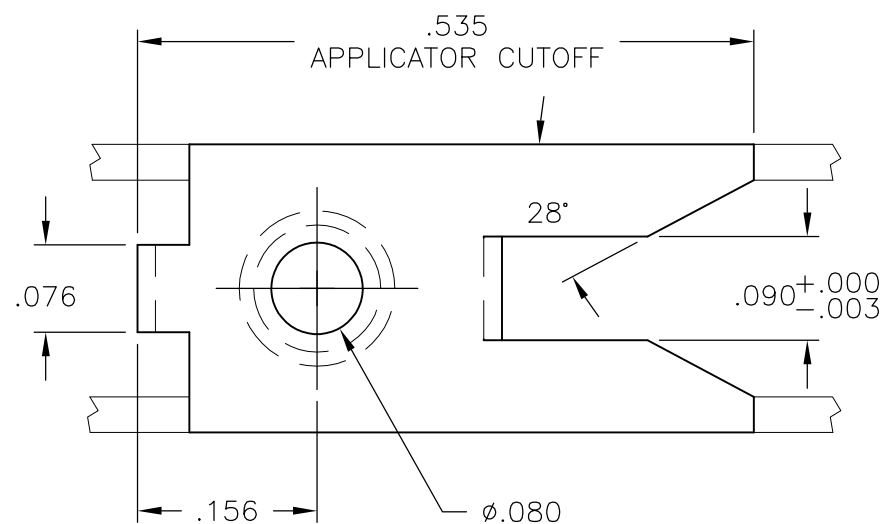


THIS DRAWING IS UNPUBLISHED. RELEASED FOR PUBLICATION
 © COPYRIGHT BY TYCO ELECTRONICS CORPORATION. ALL INTERNATIONAL RIGHTS RESERVED.

LOC	DIST	REVISIONS			
P	LTR	DESCRIPTION	DATE	DWN	APVD
	F	REVISED PER ECO-09-010589	5/1/09	SS	MS

- 1. MATERIAL: .0157 THK BRASS.
- 2. COPPER FLASH .000100 MIN OVER BRASS PART.
- 3. TIN PLATING .000080 MIN THK

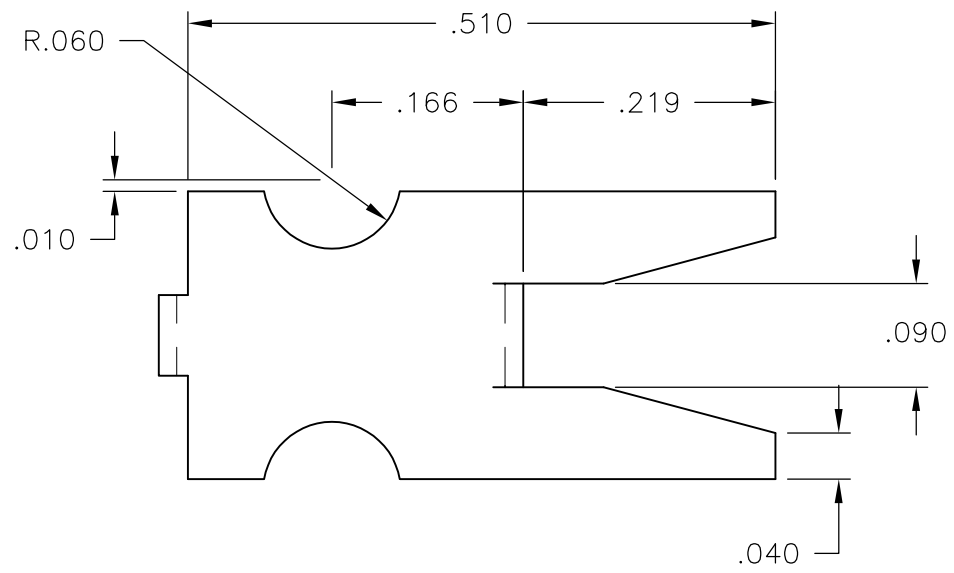


61480-2
 PART NUMBER

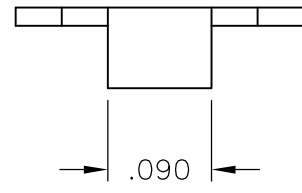
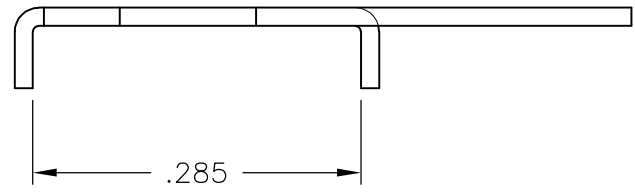
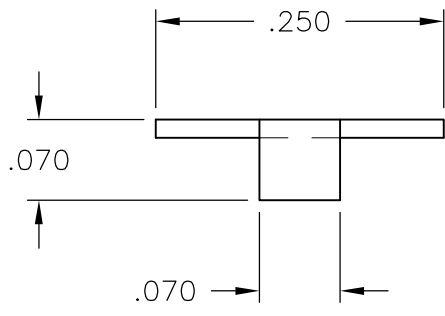
THIS DRAWING IS A CONTROLLED DOCUMENT.		DWN S SCHLEGEL 09APR2009	Tyco Electronics Corporation Harrisburg, PA 17105-3608		
DIMENSIONS: INCHES		CHK M STRECKEWALD 4/9/09	NAME PHASING LINE CLIP		
TOLERANCES UNLESS OTHERWISE SPECIFIED:		APVD M STRECKEWALD 4/9/09	PRODUCT SPEC -		
0 PLC ± - 1 PLC ± - 2 PLC ± .02 3 PLC ± .010 4 PLC ± - ANGLES ± 2°		APPLICATION SPEC -		RESTRICTED TO -	
MATERIAL - 1		WEIGHT -	SIZE A3	CAGE CODE 00779	DRAWING NO C-61480
CUSTOMER DRAWING			SCALE 6:1	SHEET 1 OF 2	REV F

THIS DRAWING IS UNPUBLISHED. RELEASED FOR PUBLICATION
 © COPYRIGHT BY TYCO ELECTRONICS CORPORATION. ALL INTERNATIONAL RIGHTS RESERVED.

LOC	DIST	REVISIONS			
P	LTR	DESCRIPTION	DATE	DWN	APVD
-	-	SEE SHEET 1	-	-	-



SUPERSEDED BY
1986550-1



4 SUPERCEDED BY 1986550-1 61480-3
 PART NUMBER

THIS DRAWING IS A CONTROLLED DOCUMENT.		DWN S SCHLEGEL 09APR2009	Tyco Electronics Corporation Harrisburg, PA 17105-3608	
DIMENSIONS: INCHES	TOLERANCES UNLESS OTHERWISE SPECIFIED:	CHK M STRECKEWALD 4/9/09	NAME PHASING LINE CLIP	
	0 PLC ± -	APVD M STRECKEWALD 4/9/09	PRODUCT SPEC -	
	1 PLC ± -	APPLICATION SPEC -	SIZE A3	CAGE CODE 00779
MATERIAL -	FINISH -	2 PLC ± .02	DRAWING NO C-61480	RESTRICTED TO -
		3 PLC ± .010	SCALE 6:1	
		4 PLC ± -	SHEET 2 OF 2	
		ANGLES ± 2'	REV F	
CUSTOMER DRAWING		WEIGHT -		

X-ON Electronics

Largest Supplier of Electrical and Electronic Components

Click to view similar products for [Terminals](#) category:

Click to view products by [TE Connectivity](#) manufacturer:

Other Similar products are found below :

[HT-13-10](#) [71M-250-32-NB](#) [01-2065-1-0216](#) [00581P0075](#) [M10-10RX](#) [M10BCK](#) [60205-1](#) [604200-1](#) [60598-1-CUT-TAPE](#) [60617-1-C](#) [60873-1](#) [M14-516R/SK](#) [M14-6RSX](#) [M18-8FBX](#) [M18-8R/LX](#) [M18BCK](#) [61314-6-C](#) [61-S](#) [61-SN-A](#) [62-NBM-A](#) [63-S](#) [640179-1](#) [640917-2-CUT-TAPE](#) [6501550002](#) [66107-2-C](#) [696683-1](#) [696834-1](#) [696861-1](#) [696931-1](#) [696999-1](#) [M8-516RK](#) [M86700006](#) [MA250DMFMX-A](#) [701-2007](#) [701-2307](#) [701-7761-03](#) [70F-110-32-PB](#) [718-N-A](#) [71M-187-20-NBL](#) [71M-250-32-NBL](#) [72F-187-20-NBL](#) [72M-250-32-NBL](#) [7310](#) [73F-250-32](#) [73F-250-32-NL](#) [F14-10C](#) [F-1M](#) [751-250](#) [76650-5002](#) [76828-149](#)