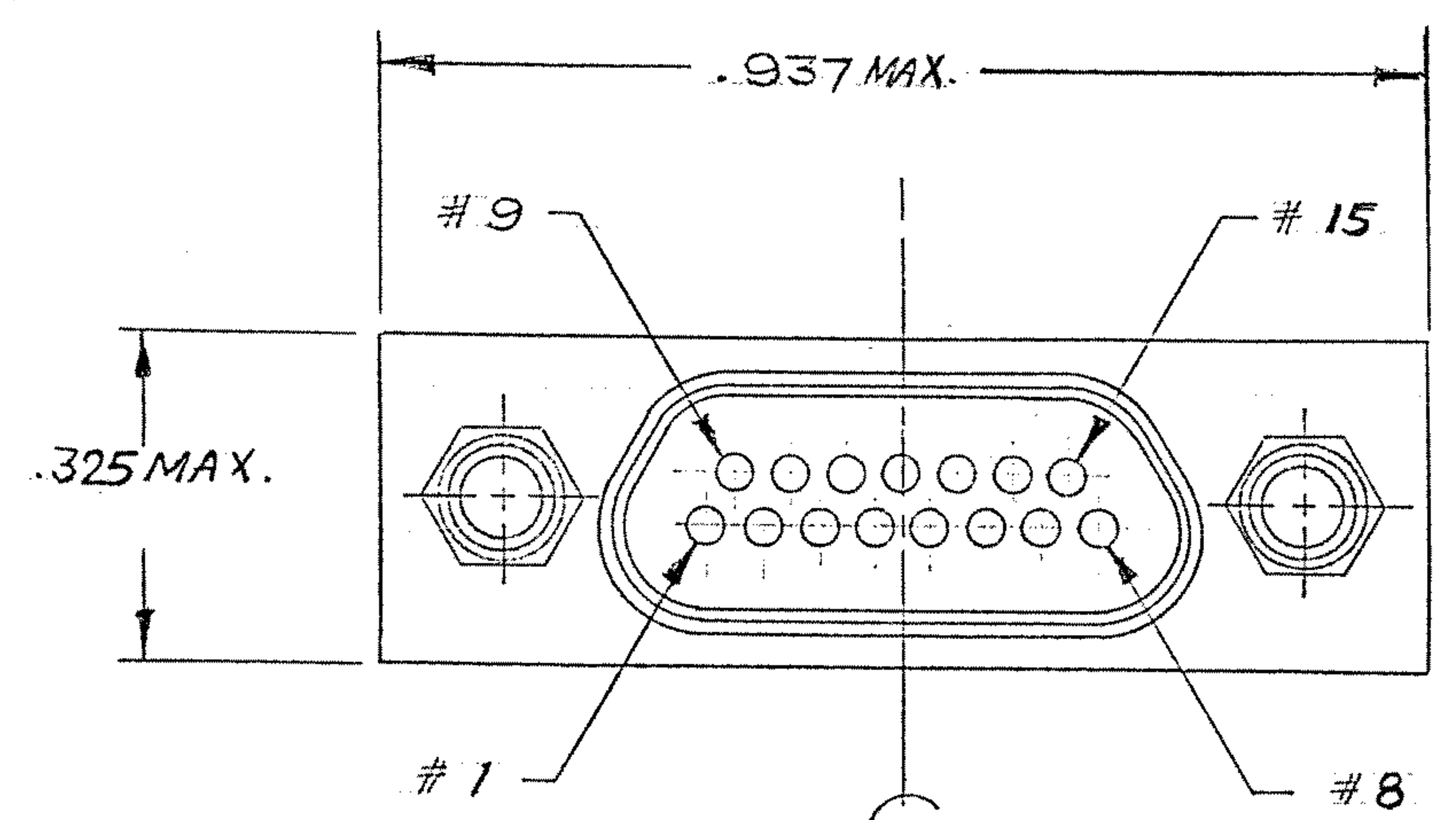
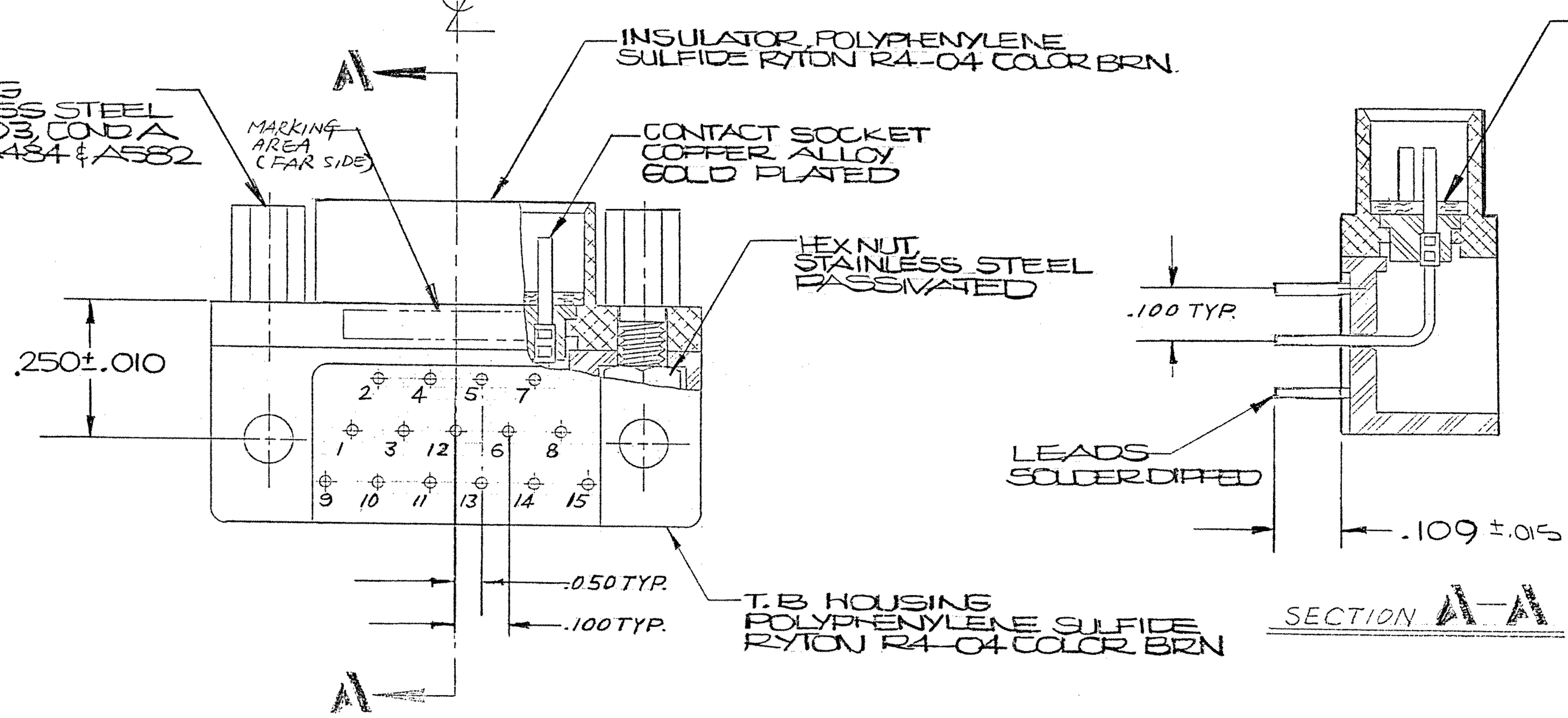


REVISIONS					
ZONE	LTR	DESCRIPTION	DATE	ENG	APPROVED
	D1	Update Per ECO-11-016360	8/10/11	PJS	CEP



BUSHING  
STAINLESS STEEL  
TYPE 303, CONDA  
ASTM A484 & A582



INSULATOR, POLYPHENYLENE  
SULFIDE RYTON R4-04 COLOR BRN.

CONTACT SOCKET  
COPPER ALLOY  
GOLD PLATED

HEX NUT,  
STAINLESS STEEL  
PASSIVATED

INTERFACIAL SEAL  
FLUOROSILICONE  
RUBBER, COLOR BLUE

T.B HOUSING  
POLYPHENYLENE SULFIDE  
RYTON R4-04 COLOR BRN.

LEADS  
SOLDER DIPPED

SECTION A-A

QTY REQD	CODE IDENT	PART OR IDENTIFYING NO.	NOMENCLATURE OR DESCRIPTION	
PARTS LIST				
UNLESS OTHERWISE SPECIFIED DIMENSIONS ARE IN INCHES TOLERANCES ARE:		CONTRACT NO.		<b>TE Connectivity</b>
FRACTIONS ±	DECIMALS .XX ± .XXX ±	ANGLES ±	DATE	
MATERIAL	FINISH		APPROVALS	
NEXT ASSY	USED ON	DRAWN		
APPLICATION		CHECKED		
DO NOT SCALE DRAWING		PR. ENG.		
		APPD.		
		These drawings and specifications are the property of Microdot Inc. are issued in strict confidence and shall not be divulged, be reproduced or copied, or used as the basis for the manufacture or sale of any article without written permission of Microdot Inc.		<b>METAL SHELL 90° LO-PROFILE</b> <b>MCK-**P-15SRT</b> <b>(MIL-C-83513)</b> <b>094-4206-7000</b>
		SIZE	CODE IDENT NO.	PROD. CODE
		<b>C</b>	<b>98278</b>	<b>845</b>
		DRAWING NO.		CODE
		<b>3-1532133-3</b>		<b>CD</b>
		SCALE	SHEET 1 OF 1	

## X-ON Electronics

Largest Supplier of Electrical and Electronic Components

*Click to view similar products for [D-Sub Micro-D Connectors](#) category:*

*Click to view products by [TE Connectivity](#) manufacturer:*

Other Similar products are found below :

[89076GBEPR](#) [M2430815F](#) [M243082311F](#) [M2430833F](#) [M2430834F](#) [M24308/4-6F](#) [65-1920-15](#) [M83513/01-HN](#) [M83513/03-A10N](#)  
[M83513/03-B14C](#) [M83513/03-D09C](#) [M83513/03-D11N](#) [M83513/03-G02N](#) [M83513/03-G05N](#) [M83513/03-G08C](#) [M83513/03-G09N](#)  
[M83513/03-G12N](#) [M83513/03-H13N](#) [M83513/04-E15N](#) [M83513/04-G04C](#) [M83513/10-E01NP](#) [M83513/13-B01NP](#) [M83513/13-C01NN](#)  
[M83513/16-A01CP](#) [M83513/22-D01NP](#) [M83513/25-B01NP](#) [6R2004A30F015](#) [6R4006A28A120](#) [703006A13F060](#) [704002A03F200](#)  
[705001A13F120](#) [7-1532020-5](#) [748567-1-P](#) [MDM-15PCBRM7T](#) [MDM-15PH003B-A174](#) [MDM-15PH034B](#) [MDM-15SH004B](#) [MDM-](#)  
[21PH003K](#) [MDM-21PH003P](#) [MDM-25PH003B-A174](#) [MDM-9PH003M7](#) [MDM-9SH006B](#) [773030D02F030](#) [790-024PA-5MS](#) [790-024PB-](#)  
[9ML](#) [790-027SH-10P4MEP](#) [790-041PJ-25P2MPA](#) [791-004SH-66MSA](#) [7R3A00A19A1201](#) [7R3A04A19A120](#)