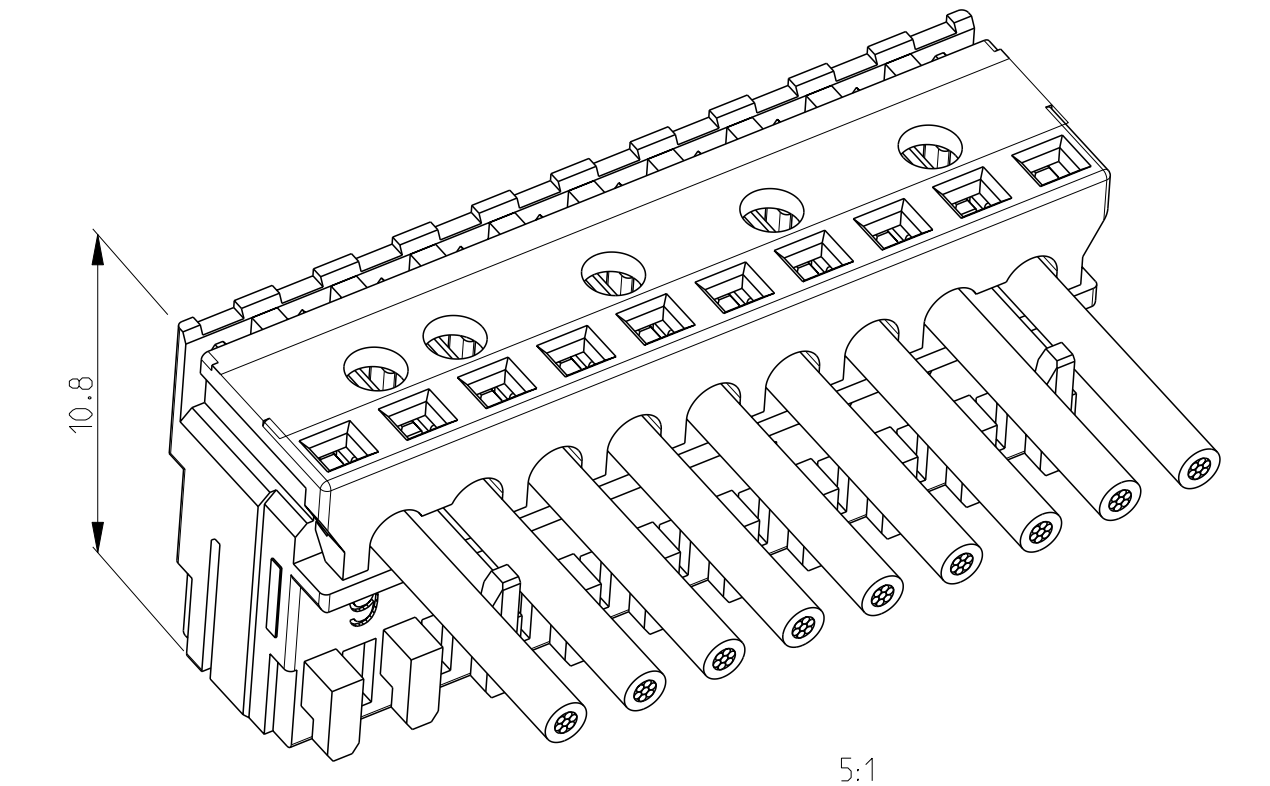
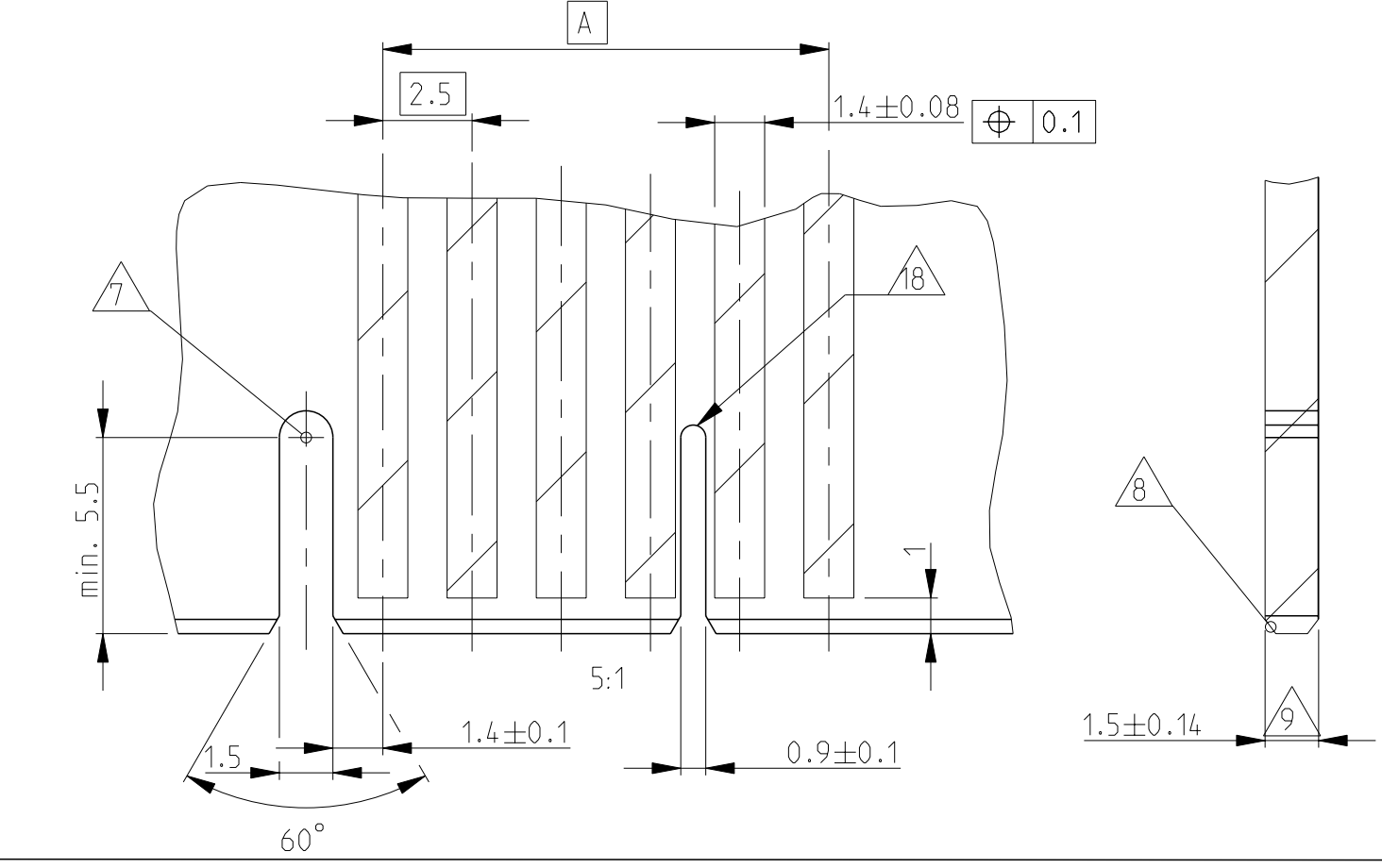


- ▲27 DIMENSION AVAILABLE FOR PART X-2304525-X, X-2304526-X.
- ▲26 WITH SPECIAL CHAIN FEATURE
- ▲25 SIDE KEYING ON LAST CAVITY THICKNESS=1.5mm
- ▲24 SIDE KEYING ON CAVITY 1 THICKNESS=1.5mm
- ▲19 COLOR STRIP ON COVER OF HOUSING, NOT THE COLOR OF HOUSING.
- ▲18 SLOT, THICK, BETWEEN CAVITIES
- ▲17 KEYING, THICK, BETWEEN POSITION
- ▲16 SLOT, SLIM, FOR SIDE KEYING, LAST CAVITY
- ▲15 SLOT, SLIM, FOR SIDE KEYING, SIDE CAVITY 1
- ▲14 SIDE KEYING, SLIM, ON LAST CAVITY
- ▲13 SIDE KEYING, SLIM, ON CAVITY 1
- ▲12 KEYING SLIM BETWEEN POSITIONS
- ▲11 PRELIMINARY PART NOT RELEASED FOR PRODUCTION
- ▲10 TE LOGO
- ▲9 INCLUSIVE COPPER LOADING
- ▲8 PCB PREFERABLY CHAMFERED
- ▲7 SLOT, THICK, FOR SIDE KEYING
- ▲6 SIDE KEYING, THICK, ON LAST CAVITY
- 5 WIRE RANG: 0.22-0.35mm² SEE APPLICATION SPEC. 114-18467
- ▲4 IEC60695-2-11 / IEC60335-1 GLOW WIRE TEST 750 °C WITHOUT FLAME
- ▲3 X..CAVITY LOADED WITH CONTACT
O..CAVITY WITHOUT CONTACT
- 2 MATING PART: PCB (WITH FRAMES ACC. RAST 2.5 E.G. PN 964 575/576
TAB HEADER (FOR EXAMPLE: X-1971921/922-Y)
- ▲1 KEYING RIBS; CUTTING WITH TERMINATION MACHINE POSSIBLE

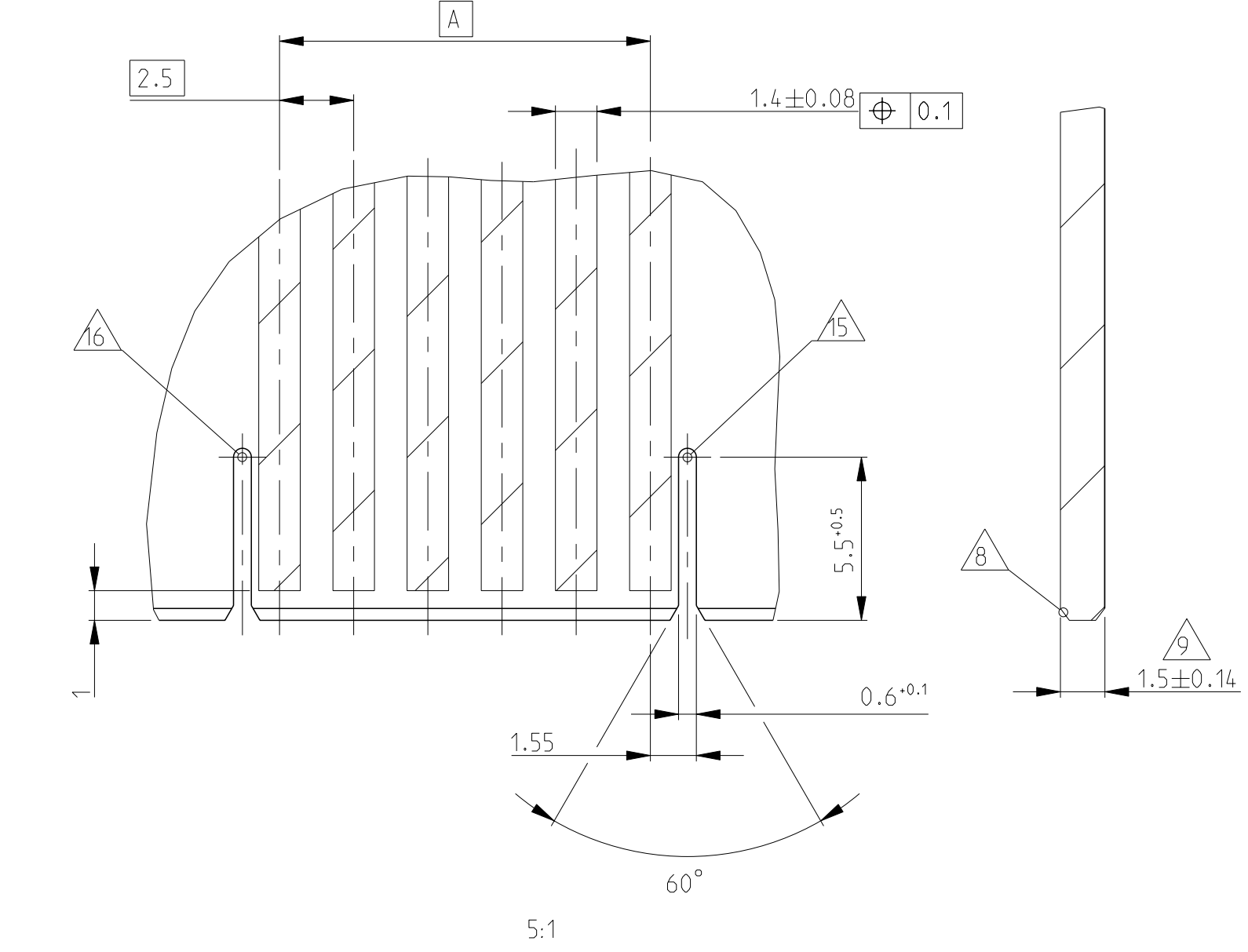
LOC	DIST	REVISIONS				
A1	-	REV	DESCRIPTION	DATE	OWN	APVD
		D51	ECR-20-100617	05NOV2020	W W	FL
		D52	ECR-20-101062	17DEC2020	P J	FL
		D53	ECR-21-100373	01FEB2021	S M	FL



PCB LAYOUT KEYED / CONNECTED ONLY WITH ADDITIONAL FRAME (THICK KEYING)
Leiterplattenanschluss kodiert / nur in Verbindung mit zusätzlichem Rahmen



PCB LAYOUT KEYED / CONNECTED ONLY WITH ADDITIONAL FRAME (SLIM KEYING)
Leiterplattenanschluss kodiert / nur in Verbindung mit zusätzlichem Rahmen



OTHER NOTE SEE SHEET 3 OF 3.

THIS DRAWING IS A CONTROLLED DOCUMENT.		OWN: H. Karabiyik 24MAY2002	
		CHK: B. Schnaubelt 24MAY2002	
DIMENSIONS: mm		APVD: T. Klenner 24MAY2002	NAME: AMP DUOPLUG 2.5 MARK II FEMALE CONNECTOR 3-20 POSITION SELECTIVE LOADED
TOLERANCES UNLESS OTHERWISE SPECIFIED:		PRODUCT SPEC: 108-18785	SIZE: 114-18467
0 PLC ±0.2		APPLICATION SPEC: 114-18467	SCALE: 10:1
1 PLC ±0.2		WEIGHT: -	SHEET 1 OF 3
2 PLC ±0.2		Customer Drawing	REV: D53
3 PLC ±0.2			
4 PLC ±			
ANGLES FINISH: #			

X-ON Electronics

Largest Supplier of Electrical and Electronic Components

Click to view similar products for [Headers & Wire Housings](#) category:

Click to view products by [TE Connectivity](#) manufacturer:

Other Similar products are found below :

[95000-104TRLF](#) [10135584-644402LF](#) [DF62W-EP2022PCA](#) [95000-106TRLF](#) [DF62W-2022SCA](#) [DF62W-EP2022PC](#) [2203348](#) [DF62W-2022SC](#) [1084018](#) [1029039](#) [1084017](#) [802-10-012-10-002000](#) [1112640](#) [1112639](#) [000-34000](#) [0009482033](#) [0009507031](#) [57102-S06-03LF](#) [57202-S52-04LF](#) [PCN6-15S-2.5E](#) [0039019024](#) [58102-G61-06LF](#) [582553-1](#) [0009508121](#) [0050291907](#) [018731A](#) [LY20-4P-DT1-P1E-BR](#) [02.125.8002.8](#) [60101931](#) [60598-1 \(Cut Strip\)](#) [M1625-3R/100](#) [61062-3](#) [61082-181009](#) [636-1427](#) [638009-1](#) [641938-9](#) [641991-4](#) [644168-1](#) [647662-1](#) [65039-019ELF](#) [65817-002LF](#) [65817-015LF](#) [65863-015LF](#) [66207-023LF](#) [67016-026LF](#) [67046-001LF](#) [67095-007LF](#) [68002-116](#) [68016-236H](#) [68648-049](#)