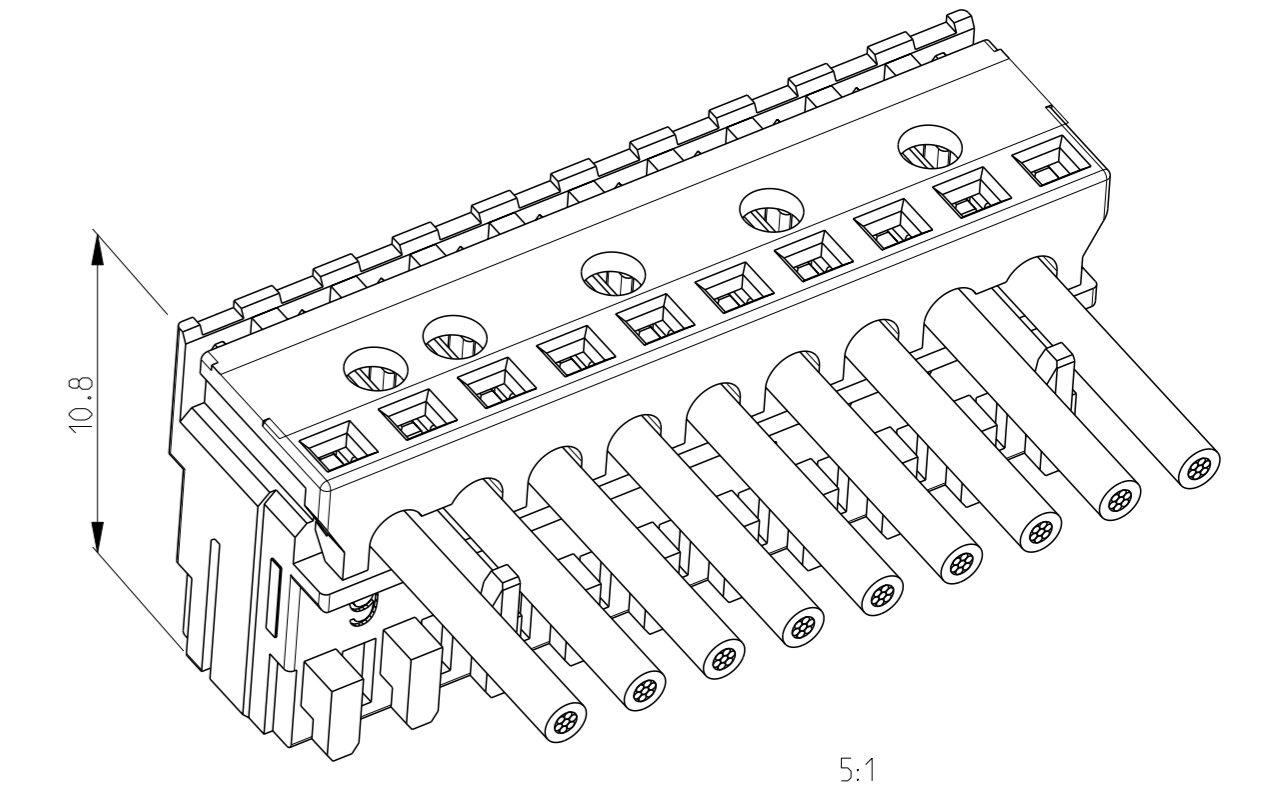
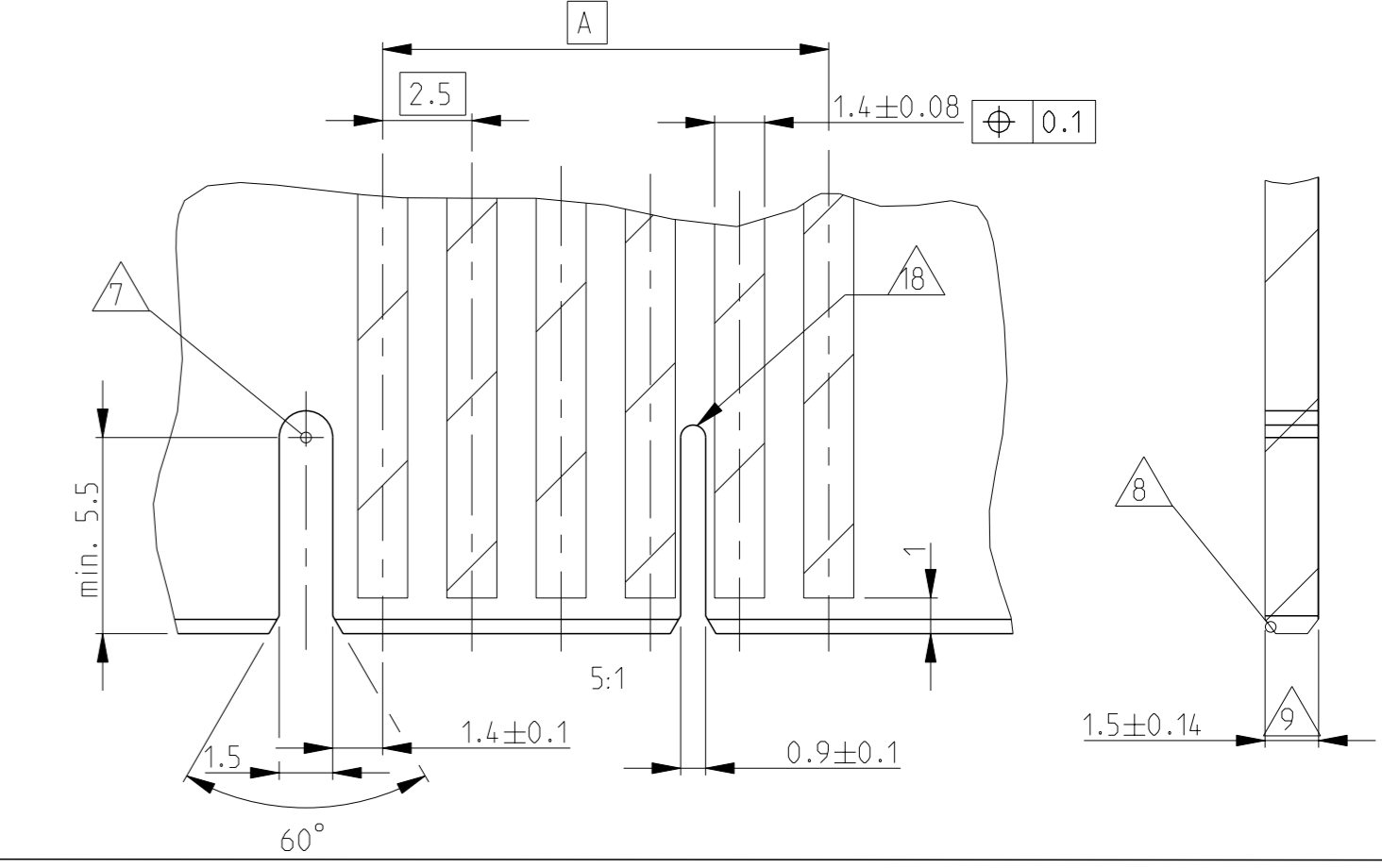


- △27 DIMENSION AVAILABLE FOR PART X-2304525-X, X-2304526-X.
- △26 WITH SPECIAL CHAIN FEATURE
- △25 SIDE KEYING ON LAST CAVITY THICKNESS=1.5mm
- △24 SIDE KEYING ON CAVITY 1 THICKNESS=1.5mm
- △19 COLOR STRIP ON COVER OF HOUSING, NOT THE COLOR OF HOUSING.
- △18 SLOT, THICK, BETWEEN CAVITIES
- △17 KEYING, THICK, BETWEEN POSITION
- △16 SLOT, SLIM, FOR SIDE KEYING, LAST CAVITY
- △15 SLOT, SLIM, FOR SIDE KEYING, SIDE CAVITY 1
- △14 SIDE KEYING, SLIM, ON LAST CAVITY
- △13 SIDE KEYING, SLIM, ON CAVITY 1
- △12 KEYING SLIM BETWEEN POSITIONS
- △11 PRELIMINARY PART NOT RELEASED FOR PRODUCTION
- △10 TE LOGO
- △9 INCLUSIVE COPPER LOADING
- △8 PCB PREFERABLY CHAMFERED
- △7 SLOT, THICK, FOR SIDE KEYING
- △6 SIDE KEYING, THICK, ON LAST CAVITY
- 5 WIRE RANG: 0.22-0.35mm² SEE APPLICATION SPEC. 114-18467
- △4 IEC60695-2-11 / IEC60335-1 GLOW WIRE TEST 750 °C WITHOUT FLAME
- △3 X..CAVITY LOADED WITH CONTACT
O..CAVITY WITHOUT CONTACT
- 2 MATING PART: PCB (WITH FRAMES ACC. RAST 2.5 E.G. PN 964 575/576
TAB HEADER (FOR EXAMPLE: X-1971921/922-Y)
- △1 KEYING RIBS; CUTTING WITH TERMINATION MACHINE POSSIBLE

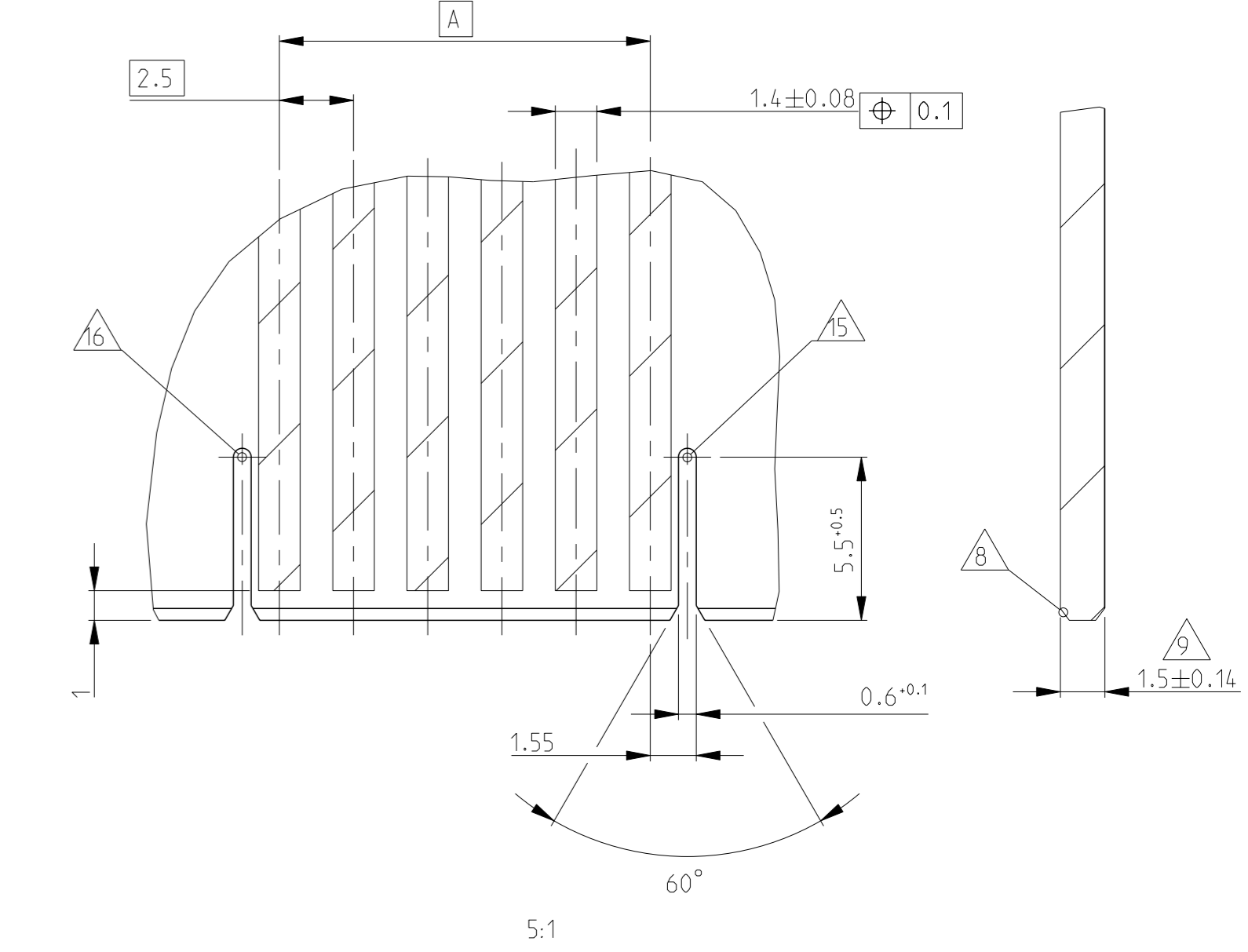
LOC	DIST	REVISIONS				
A1	-	REV	DESCRIPTION	DATE	OWN	APVD
		D51	ECR-20-100617	05NOV2020	W W	FL
		D52	ECR-20-101062	17DEC2020	P J	FL
		D53	ECR-21-100373	01FEB2021	S M	FL



PCB LAYOUT KEYED / CONNECTED ONLY WITH ADDITIONAL FRAME (THICK KEYING)
Leiterplattenanschluss kodiert / nur in Verbindung mit zusätzlichem Rahmen



PCB LAYOUT KEYED / CONNECTED ONLY WITH ADDITIONAL FRAME (SLIM KEYING)
Leiterplattenanschluss kodiert / nur in Verbindung mit zusätzlichem Rahmen



OTHER NOTE SEE SHEET 3 OF 3.

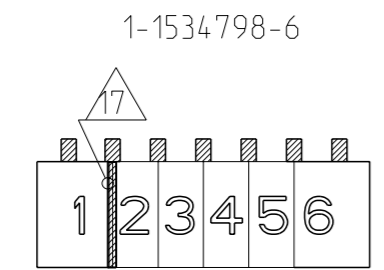
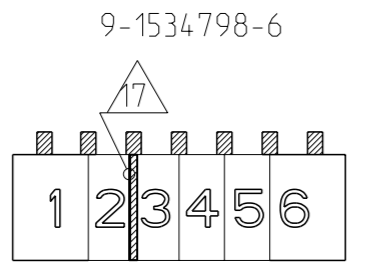
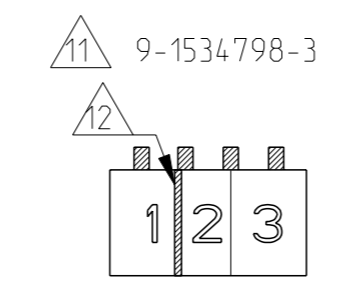
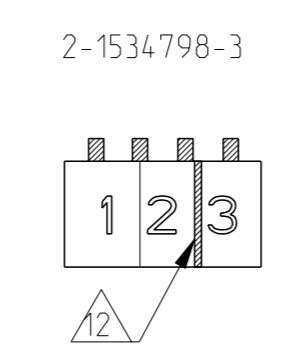
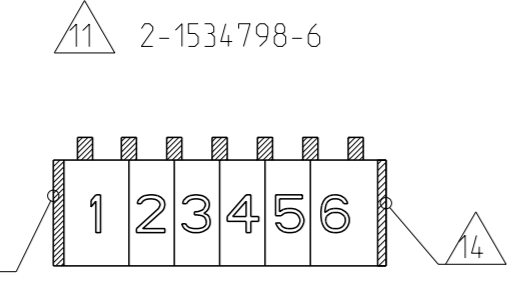
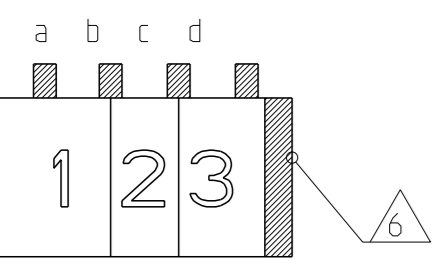
THIS DRAWING IS A CONTROLLED DOCUMENT.		OWN: H. Karabiyik 24MAY2002	 TE Connectivity
DIMENSIONS: mm		CHK: B. Schnaubelt 24MAY2002	
TOLERANCES UNLESS OTHERWISE SPECIFIED:		APVD: T. Klenner 24MAY2002	NAME: AMP DUOPLUG 2.5 MARK II FEMALE CONNECTOR 3-20 POSITION SELECTIVE LOADED
0 PLC ±0.2	1 PLC ±0.2	PRODUCT SPEC	SIZE: 114-18467
2 PLC ±0.2	3 PLC ±0.2	APPLICATION SPEC	SCALE: 10:1
4 PLC ±	ANGLES ±	FINISH ±	SHEET 1 OF 3
MATERIAL: -	FINISH: -	WEIGHT: -	RESTRICTED TO: -
Customer Drawing		00779	REM: D53

LOC	DIST	P	LYR	DESCRIPTION	DATE	OWN	APVD
A1	-			SEE SHEET 1			

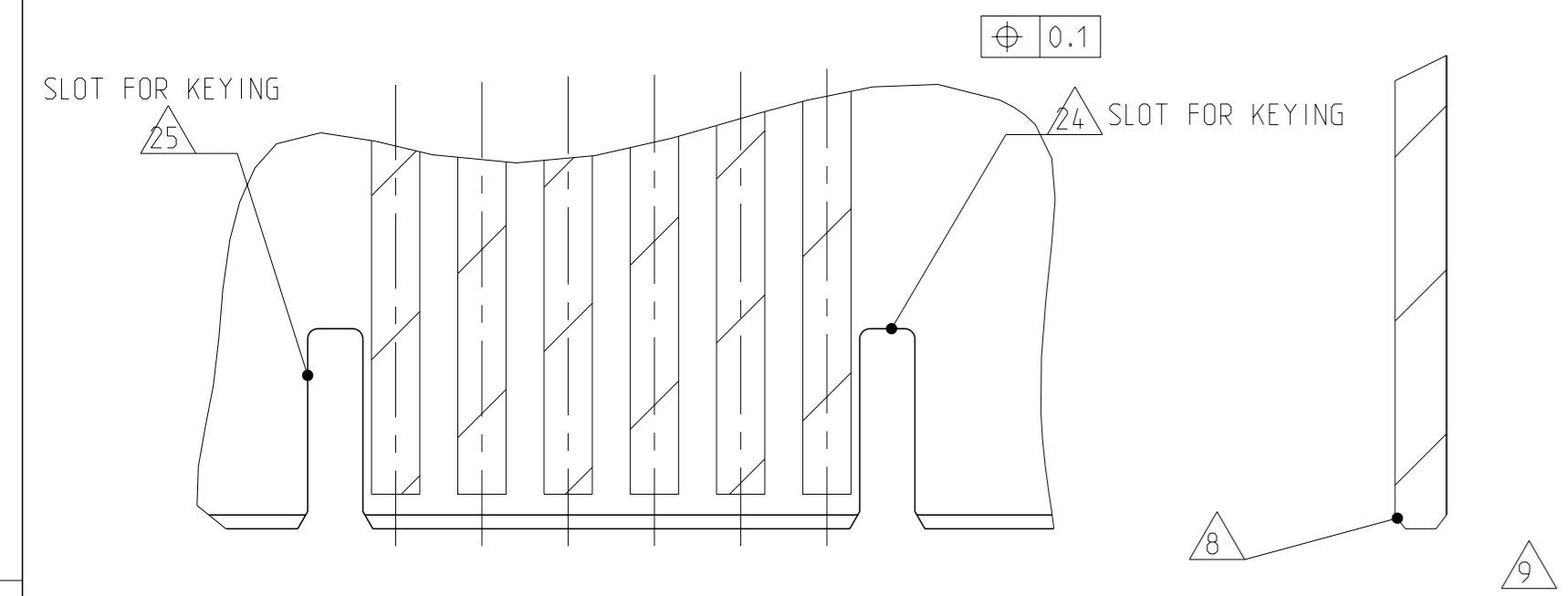
KEYING PLAN

Kodierschema

4-1534798-3



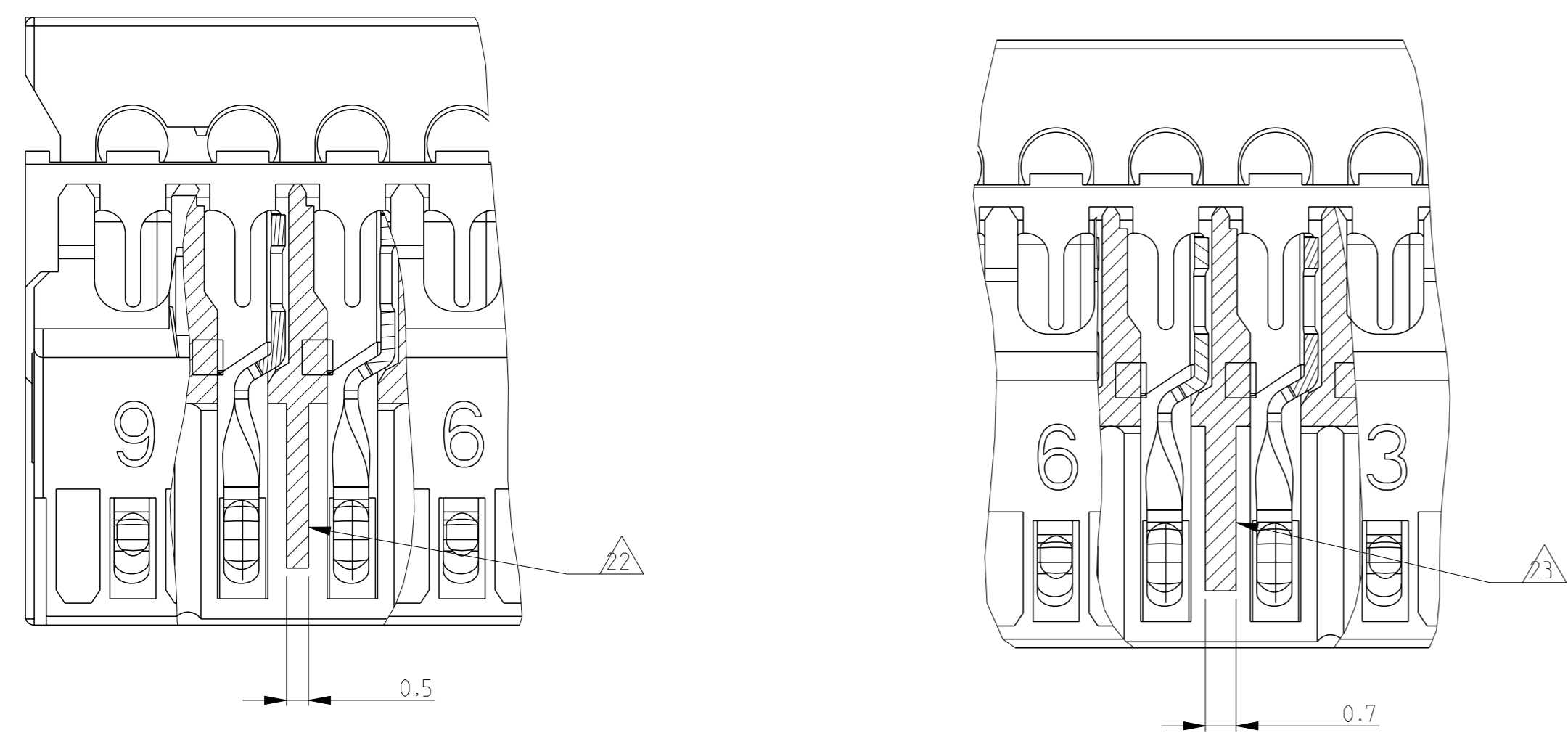
PCB LAYOUT KEYED / CONNECTED ONLY WITH ADDITIONAL FRAME (KEYING THICKNESS-1.5mm)



GWEPT 750°C NO FLAME & UL94-V2, TIN PLATED VERSION																					
	X	0	X	0	X	0	X	0	X	0	X	0	19	45	49.9						1-1534799-9
			X	0	X	0	X	0	X	0	X	0	X	17	40	44.9			8/9		1534799-7
													X	15	35	39.9					1-1534799-5
													X	13	30	34.9					4-1534799-3
													X	12	27.5	32.4					1-1534799-2
													X	12	27.5	32.4			8/9		2-1534799-2
Black									X	0	X	0	0	11	25	29.9					5-1534799-1
									X	0	X	0	0	11	25	29.9					5-1534799-1
									X	0	X	0	0	11	25	29.9					3-1534799-1
									X	0	X	0	0	11	25	29.9					2-1534799-1
									X	0	X	0	0	10	22.5	27.4					5-1534798-0
									X	0	X	0	0	10	22.5	27.4					4-1534798-0
									X	0	X	0	0	10	22.5	27.4					3-1534798-0
									X	0	X	0	0	9	20	24.9					7-1534798-9
									X	0	X	0	0	9	20	24.9					6-1534798-9
									X	0	X	0	0	9	20	24.9					5-1534798-9
									X	0	X	0	0	9	20	24.9					4-1534798-9
									X	0	X	0	0	9	20	24.9					3-1534798-9
									X	0	X	0	0	8	17.5	22.4					9-1534798-8
									X	0	X	0	0	8	17.5	22.4					8-1534798-8
									X	0	X	0	0	8	17.5	22.4					7-1534798-8
									X	0	X	0	0	8	17.5	22.4					6-1534798-8
									X	0	X	0	0	8	17.5	22.4					5-1534798-8
									X	0	X	0	0	8	17.5	22.4					4-1534798-8
									X	0	X	0	0	8	17.5	22.4					3-1534798-8
Black									X	0	X	0	0	7	15	19.9					6-1534798-7
									X	0	X	0	0	7	15	19.9					5-1534798-7
									X	0	X	0	0	7	15	19.9					4-1534798-7
									X	0	X	0	0	7	15	19.9					3-1534798-7
Black									X	0	X	0	0	6	12.5	17.4					2-1534798-6
Red									X	0	X	0	0	6	12.5	17.4			1/2		1-1534798-6
									X	0	X	0	0	6	12.5	17.4			2/3		9-1534798-6
									X	0	X	0	0	6	12.5	17.4					8-1534798-6
									X	0	X	0	0	6	12.5	17.4					7-1534798-6
									X	0	X	0	0	6	12.5	17.4					6-1534798-6
									X	0	X	0	0	6	12.5	17.4					5-1534798-6
									X	0	X	0	0	6	12.5	17.4					4-1534798-6
									X	0	X	0	0	6	12.5	17.4					3-1534798-6
									X	0	X	0	0	6	12.5	17.4					2-1534798-6
									X	0	X	0	0	6	12.5	17.4					1-2314657-6
									X	0	X	0	0	6	12.5	17.4					2314657-6
									X	0	X	0	0	6	12.5	17.4					1-2314657-6
									X	0	X	0	0	6	12.5	17.4					4-1534798-6
									X	0	X	0	0	6	12.5	17.4					3-1534798-6
Brown									X	0	X	0	0	5	10	14.9			1/2		9-1534798-5
									X	0	X	0	0	5	10	14.9			4/5		8-1534798-5
Black									X	0	X	0	0	5	10	14.9					7-1534798-5
									X	0	X	0	0	5	10	14.9					6-1534798-5
									X	0	X	0	0	5	10	14.9					5-1534798-5
									X	0	X	0	0	5	10	14.9					4-1534798-5
									X	0	X	0	0	5	10	14.9					3-1534798-5
									X	0	X	0	0	5	10	14.9					2-1534798-5
									X	0	X	0	0	5	10	14.9					1-1534798-5
Orange									X	0	X	0	0	4	7.5	12.4					3-1534798-4
									X	0	X	0	0	4	7.5	12.4			2/3		1-1534798-3
									X	0	X	0	0	4	7.5	12.4					1534798-3
									X	0	X	0	0	4	7.5	12.4			1/2		9-1534798-3
									X	0	X	0	0	4	7.5	12.4			2/3		2-1534798-3
Brown									X	0	X	0	0	3	5	9.9					8-1534798-3
Green									X	0	X	0	0	3	5	9.9					7-1534798-3
Blue									X	0	X	0	0	3	5	9.9					6-1534798-3
									X	0	X	0	0	3	5	9.9					5-1534798-3
									X	0	X	0	0	3	5	9.9					4-1534798-3
									X	0	X	0	0	3	5	9.9					3-1534798-3

Color Code		KAMMERBESTUECKUNG (CAVITIES LOADED)										POS. Polzahl	DIM A	DIM B	KEYING KEYING KEYING KEYING KEYING KEYING KEYING KEYING	PN Bestell-Nr.				
2	SEE TABLE	CONTACT/Kontakt	CuSn	TINNED/verzinkt	THIS DRAWING IS A CONTROLLED DOCUMENT.										DIMENSIONS: mm TOLERANCES UNLESS OTHERWISE SPECIFIED: 0 PLC ±0.2 1 PLC ±0.2 2 PLC ±0.2 3 PLC ±0.2 4 PLC ±0.2 ANGLES FINISH		DWN H. Karabiyik 24MAY2002 CHK B. Schnaubelt 24MAY2002 APVD T. Klenner 24MAY2002 PRODUCT SPEC 108-18785 APPLICATION SPEC 114-18467 WEIGHT - Customer Drawing		NAME AMP DUOPLUG 2.5 MARK II FEMALE CONNECTOR 3-20 POSITION SELECTIVE LOADED SIZE CAGE CODE DRAWING NO. 00779 ©=1534798 RESTRICTED TO	
1	siehe Tabelle	HOUSING/Federleistengeh.	HIGH TEMP PLASTIC	NATUR/Natur	ISTE TE Connectivity 108-18785 114-18467 00779 ©=1534798 SCALE 10:1 SHEET 2 OF 3 REV 53															

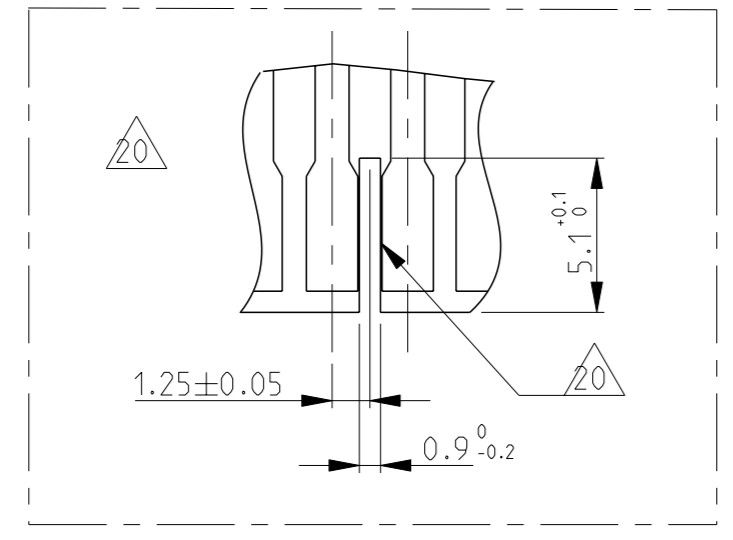
LOC	DIST	REVISIONS					
		P	LYR	DESCRIPTION	DATE	DWN	APVD
-	-	-	-	SEE SHEET 1	-	-	-



KEYING Δ_{22}

KEYING Δ_{23}

- Δ_{23} KEYING, SPECIAL THICK, BETWEEN POSITION
- Δ_{22} KEYING, SPECIAL THIN, BETWEEN POSITION
- Δ_{21} SLOT FOR KEYING SPECIAL, BETWEEN POSITION
- Δ_{20} RECOMMENDED PCB CUTOFF DIMENSION FOR THE PN X-2304527-Y AND X-2304528-Y



GWEPT 750°C NO FLAME & UL94-V0, SILVER PLATED VERSION																							
Blue																		X	0	X			
																		X	0	X			
Color Code	20	19	18	17	16	15	14	13	12	11	10	9	8	7	6	5	4	3	2	1			
	KAMMERBESTUECKUNG (CAVITIES LOADED) Δ_3															POS. Polzahl	DIM A	DIM B	Δ_{22}	Δ_{23}	Δ_{23}	Δ_{22}	PN Δ_{26} Bestell-Nr.

2	SEE TABLE	CONTACT/Kontakt	CuSn	SILVERED
1	siehe Tabelle	HOUSING/Federleistengeh.	HIGH TEMP PLASTIC Δ_4	NATUR/Natur
POS.	PN Bestell-Nr.	DESCRIPTION Beschreibung	MATERIAL	COLOUR/FINISH Farbe/Oberflaeche

GWEPT 750°C NO FLAME & UL94-V0, TIN PLATED VERSION																							
Blue																		X	0	X			
																		X	0	X			
Orange																		X	0	X			
Green																		X	0	X			
																		X	0	X			
																		X	0	X			
																		X	0	X			
GREEN																		X	0	X			
																		X	0	X			
																		X	0	X			
Black																		X	0	X			
Blue																		X	0	X			
																		X	0	X			
																		X	0	X			
Black																		X	0	X			
Green																		X	0	X			
Blue																		X	0	X			
																		X	0	X			
																		X	0	X			
Red																		X	0	X			
Red																		X	0	X			
Black																		X	0	X			
Green																		X	0	X			
																		X	0	X			
Blue																		X	0	X			
Red																		X	0	X			
Red																		X	0	X			
																		X	0	X			
Green																		X	0	X			
Black																		X	0	X			
Red																		X	0	X			
Red																		X	0	X			
																		X	0	X			
Blue																		X	0	X			
Black																		X	0	X			
Red																		X	0	X			
Brown																		X	0	X			
Orange																		X	0	X			
Color Code	20	19	18	17	16	15	14	13	12	11	10	9	8	7	6	5	4	3	2	1			
	KAMMERBESTUECKUNG (CAVITIES LOADED) Δ_3															POS. Polzahl	DIM A	DIM B	Δ_{22}	Δ_{23}	Δ_{23}	Δ_{22}	PN Δ_{26} Bestell-Nr.

2	SEE TABLE	CONTACT/Kontakt	CuSn	TINNED/verzinkt
1	siehe Tabelle	HOUSING/Federleistengeh.	HIGH TEMP PLASTIC Δ_4	NATUR/Natur
POS.	PN Bestell-Nr.	DESCRIPTION Beschreibung	MATERIAL	COLOUR/FINISH Farbe/Oberflaeche

THIS DRAWING IS A CONTROLLED DOCUMENT. DWN H. Karabiyik 24MAY2002
 CHK B. Schnaubelt 24MAY2002
 APVD T. Klenner 24MAY2002

DIMENSIONS: mm
 TOLERANCES UNLESS OTHERWISE SPECIFIED:
 0 PLC ± 0.2
 1 PLC ± 0.2
 2 PLC ± 0.2
 3 PLC \pm
 4 PLC \pm
 ANGLES FINISH \pm

MATERIAL: -
 FINISH: -

Customer Drawing

TE Connectivity
 AMP DUOPLUG 2.5 MARK II
 FEMALE CONNECTOR 3-20 POSITION
 SELECTIVE LOADED

SIZE CAGE CODE DRAWING NO. RESTRICTED TO
 A1 00779 C=1534798

SCALE 10:1 SHEET 3 OF 3 REV 53

X-ON Electronics

Largest Supplier of Electrical and Electronic Components

Click to view similar products for [Headers & Wire Housings](#) category:

Click to view products by [TE Connectivity](#) manufacturer:

Other Similar products are found below :

[892-18-020-10-001101](#) [58102-G61-06LF](#) [582553-1](#) [0009485154](#) [009176003701906](#) [0050291907](#) [LY20-4P-DT1-P1E-BR](#) [02.125.8002.8](#)
[609-3404](#) [61062-3](#) [61082-181009](#) [622-3653LF](#) [63453-116](#) [636-1030](#) [636-1427](#) [636-3427](#) [636-4007](#) [641938-9](#) [641991-4](#) [644827-2](#) [65817-010LF](#) [65817-015LF](#) [65863-015LF](#) [66207-023LF](#) [67095-007LF](#) [67601157](#) [68645-018](#) [68648-049](#) [70.362.1628.0](#) [70-4210](#) [70-4226B](#) [70-4853B](#) [707-5020](#) [707-5028](#) [71.350.2428.0](#) [71918-208LF](#) [71961-016LF](#) [733-134](#) [733-162](#) [754199-000](#) [760-3052](#) [787-8014-00](#) [79531-3000](#)
[FCN-360C032-B](#) [FCN-367T-T012/H](#) [FCN-723D010/2](#) [80.063.4001.1](#) [800-90-001-10-001000](#) [800-90-010-10-002000](#) [801-43-002-10-013000](#)