

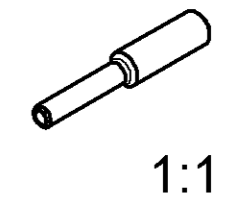
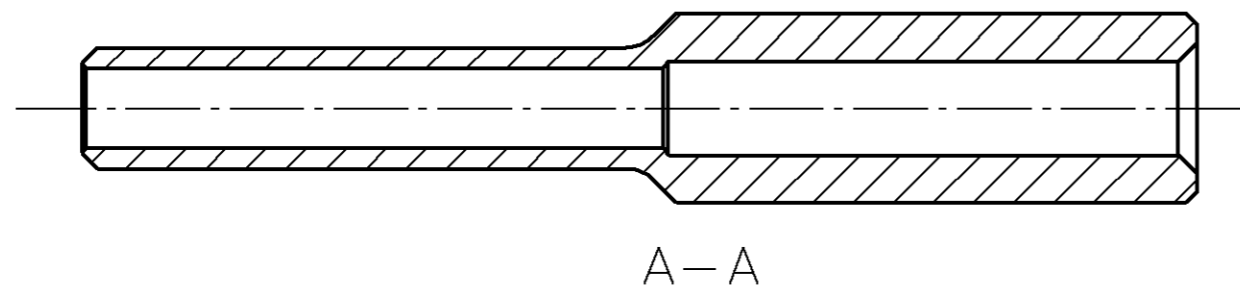
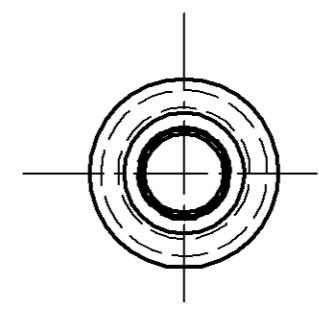
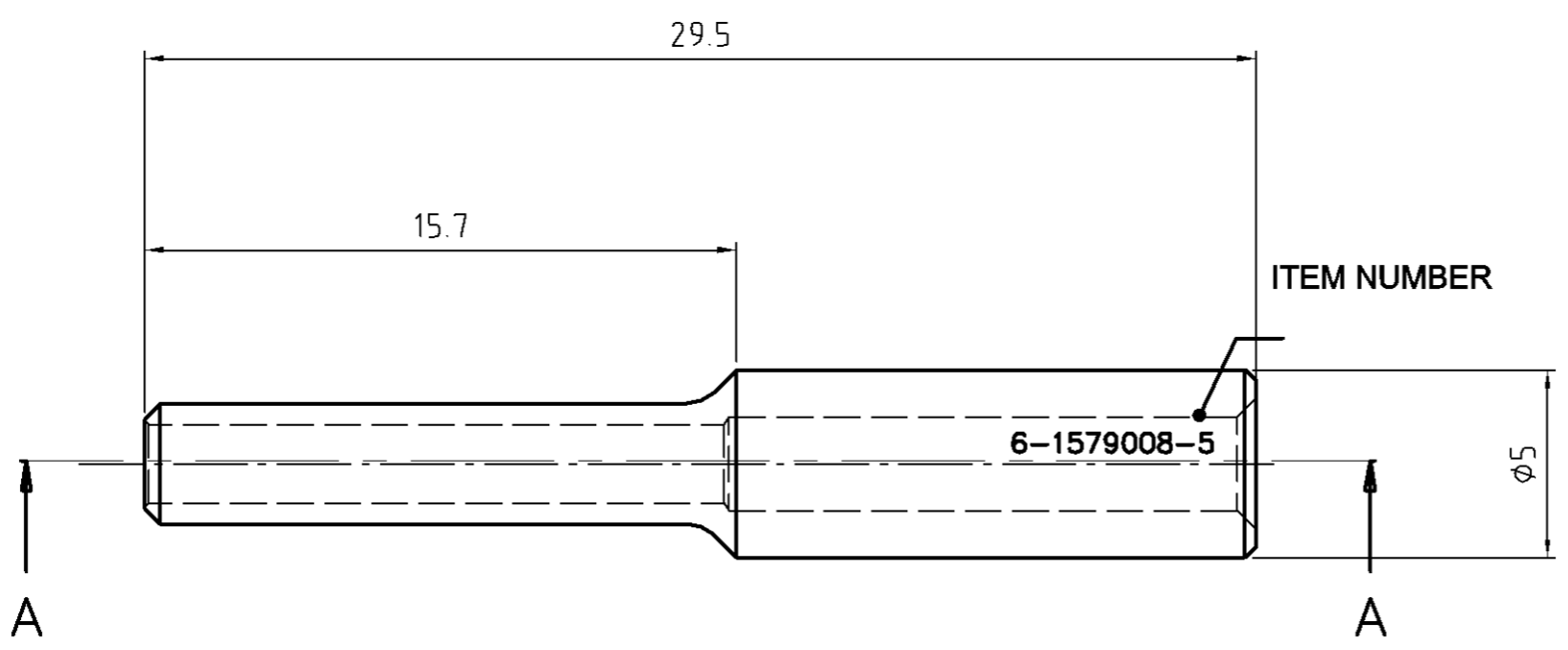
PASSMASS	ABMASS

THIS DRAWING IS A CONTROLLED DOCUMENT FOR AMP INCORPORATED. IT IS SUBJECT TO CHANGE AND THE CONTROLLING ENGINEERING ORGANIZATION SHOULD BE CONTACTED FOR THE LATEST REVISION.

DIESES ZEICHNUNGSDOKUMENT WIRD DURCH AMP INCORPORATED KONTROLLIERT UND VERÄNDERUNGEN SIND MIT AMP INCORPORATED ODER SEINER LETZTLIEGENDE ANORDNUNGSPERSONEN BEFÄHIGT.

THIS INFORMATION IS CONFIDENTIAL AND IS DISCLOSED TO YOU ON THE CONDITION THAT NO FURTHER DISCLOSURE IS MADE BY YOU TO OTHER THAN AMP PERSONNEL WITHOUT WRITTEN AUTHORIZATION FROM AMP INCORPORATED. D - 64625

PROJECT NO. : _____ USED ON _____



Spare part for: 6-1579008-3

FREI-MASSTOLERANZEN NACH DIN 7168 (WERTE IN MM)
 1) ABWEICHEND VON DIN 7168 2) LÄNGE DES KÜRZEREN SCHENKELS

NENNMASS-BEREICH 1)	ÜBER	0.5	3	6	30	120	400
BIS	3	6	30	120	400	1000	
ABMASSE	LANGEN-MASS	FEIN	±0.05	±0.05	±0.1	±0.15	±0.2
	MASSE	NITTEL	±0.1	±0.1	±0.2	±0.3	±0.5
	RADIEN U. FASEN		±0.2	±0.5	±1	±2	±4
	WINKELABMASSE 1) 2)		±1'	±1'	±30'	±20'	±10'

GENERAL TOLERANCES ACC. TO DIN 7168 (VALUES IN MM)
 1) DEVIATING FROM DIN 7168 2) LENGTH OF SHORT ANGLE SIDE

LOC	AI	DIST					
TEIL IN BEREICH X... MIT PN; STRICH-NR. <-1 WIE GEZ.; REVISION-STAND UND LIEFERANTENSYMBOL GEKENNZEICHNET PART TO BE MARKED WITH PN, DASH NO. <-1 AS SHOWN, REV. STATUS AND VENDORS MARK IN AREA X... OBERFLÄCHENVERGLEICHSTABELLE DIN 3141 R3 R _a 17 µm DIN 150 L302 6.3 1.6 0.4 0.1 12.5 HOLE NOT SPEC. REMOVE BURRS. BREAK SHARP EDGES 0.2x45°							
	A	ECN EGC0-0000-00	00.00.2000				
P	LTR	REVISION RECORD	DATE	DWN	APVD		

FINISH	DWN	16.03.2007
DIMENSIONS: mm	CHK	26.03.2007
TOLERANCES UNLESS OTHERWISE SPECIFIED: n. ISO 8015 n. ISO 2768 - mH -E n. DIN 1501 - 140 0 PLC ± 1 PLC ± 2 PLC ± 3 PLC ± 4 PLC ±	APVD	26.03.2007
ANGLES	G. Stegmayer	
SURFACE TEXTURE	G. Stegmayer	
	NAME DISMOUNTING SLEEVE	
	Demontage Hülse	
SCALE	SIZE	DRAWING NO
5:1	A3	C-6-1579008-5

DWN	16.03.2007	MATERIAL	HEAT TREAT
CHK	26.03.2007	Gewicht / Weight 0,000kg	
G. Stegmayer		tyco Electronics AMP GmbH	
APVD		D - 64625 Bensheim	
SCALE 5:1 SIZE A3 DRAWING NO C-6-1579008-5 SHEET 1 OF 1 REV A			

X-ON Electronics

Largest Supplier of Electrical and Electronic Components

Click to view similar products for [Heat Shrink Tubing and Sleeves](#) category:

Click to view products by [TE Connectivity](#) manufacturer:

Other Similar products are found below :

[5685710001](#) [CR9960-000](#) [5734012004](#) [607381P039](#) [611112-000](#) [6284592002](#) [CX4711-000](#) [CZ1420-000](#) [D-306-38](#) [770-006S302](#) [770-010Y106W1](#) [770-018S103](#) [770-018S202W1](#) [770-018S205W1](#) [770-020S704W1](#) [770-020S705](#) [MFP-3/64"-Clear](#) [790-3012](#) [MHHT-4-15K2-G-104](#) [8003012003](#) [MIL-LT-1-1/2-4-SP](#) [MIL-LT-1-1/2-9-STK](#) [MIL-LT-1/2-2-STK](#) [MIL-LT-3-0-SP](#) [MIL-LT-3/32-0-SP](#) [MIL-LT-3/32-6-SP](#) [MIL-LT-3/4-4-STK](#) [MIL-LT-3/4-6-SP](#) [839602-000](#) [8423-6](#) [FP301-116-48"-Clear](#) [FP301-12-6"-Clear](#) [FP301-1/4-48"-White-Hdr](#) [FP301-18-48"-Black-Hdr](#) [FP301-1/8-6"-Black](#) [FP301-18-6"-Black-Bulk](#) [FP301-316-48"-Blue-Hdr](#) [912229N002](#) [R280637030](#) [HDCW-5515-1000](#) [HDT-0300-48A-BLACK](#) [HDT-0400-48A-Black](#) [HDT-0800-48A-RED](#) [HDT1100-48A-BLK](#) [HDT1500-48A-BLK](#) [HDT-2000-48A-Black](#) [RHW-70/20-1200/ADH-0](#) [DWP-125-0.450-4-55MM-CS879](#) [156082-000](#) [MT5500-3/8-X-SP](#)