



Application Tooling > Insertion & Extraction Tools



Insertion & Extraction Tool Type: **Secondary Housing Lock**

Features

Product Type Features

Insertion & Extraction Tool Type	Secondary Housing Lock
----------------------------------	------------------------

Product Compliance

[For compliance documentation, visit the product page on TE.com>](#)

EU RoHS Directive 2011/65/EU	Not Compliant
EU ELV Directive 2000/53/EC	Out of Scope
China RoHS 2 Directive MIIT Order No 32, 2016	Restricted Materials Above Threshold
EU REACH Regulation (EC) No. 1907/2006	<p>Current ECHA Candidate List: JAN 2021 (211) Candidate List Declared Against: JUN 2020 (209) SVHC > Threshold: Pb (3% in Component Part)</p> <p>Article Safe Usage Statements: Do not eat, drink or smoke when using this product. Wash thoroughly after handling. Recycle if possible and dispose of the article by following all applicable governmental regulations relevant to your geographic location.</p>
Halogen Content	Low Halogen - Br, Cl, F, I < 900 ppm per homogenous material. Also BFR/CFR/PVC Free
Solder Process Capability	Not applicable for solder process capability

Product Compliance Disclaimer

This information is provided based on reasonable inquiry of our suppliers and represents our current actual knowledge based on the information they provided. This information is subject to change. The part numbers that TE has identified as EU RoHS compliant have a maximum concentration of 0.1% by weight in homogenous materials for lead, hexavalent chromium, mercury, PBB, PBDE, DBP, BBP, DEHP, DIBP, and 0.01% for cadmium, or qualify for an exemption to these limits as defined in the Annexes of Directive 2011/65/EU (RoHS2). Finished electrical and electronic equipment products will be CE marked as required by Directive 2011/65/EU. Components may not be CE marked. Additionally, the part numbers that TE has identified as EU ELV compliant have a maximum concentration of 0.1% by weight in homogenous materials for lead, hexavalent chromium, and mercury, and 0.01% for cadmium, or qualify for an exemption to these limits as defined in the Annexes of Directive 2000/53/EC (ELV). Regarding the REACH Regulation, the information TE provides

on SVHC in articles for this part number is based on the latest European Chemicals Agency (ECHA) 'Guidance on requirements for substances in articles' posted at this URL: <https://echa.europa.eu/guidance-documents/guidance-on-reach>

Compatible Parts



TE Part # CAT-M8793-T273
MQS, RECEPTACLE AND TAB



TE Part # 5-963727-1
MQS SOCKET CONTACT SWS



TE Part # 5-963727-5
MQS SOCKET CONTACT SWS




TE Part # 5-963727-6
MQS SOCKET CONTACT SWS



TE Part # 5-962886-3
MQS0,63 Ag tab LL EDS 0,2-0,5




TE Part # 5-965908-3
MQS0,63 Ag tab LL EDS 0,5-0,75




TE Part # 6-962885-6
MQS BUCHS-KONT EDS

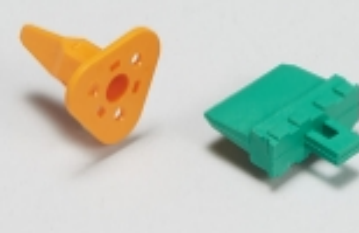
Also in the Series | MQS




Automotive Connector Caps & Covers
(133)




Automotive Connector EMC Shielding
(2)




Automotive Connector Locks & Position Assurance(29)




Automotive Headers(207)




Automotive Housings(498)



Automotive Seals & Cavity Plugs(26)



Automotive Terminals(98)



Data Connectivity Headers(1)

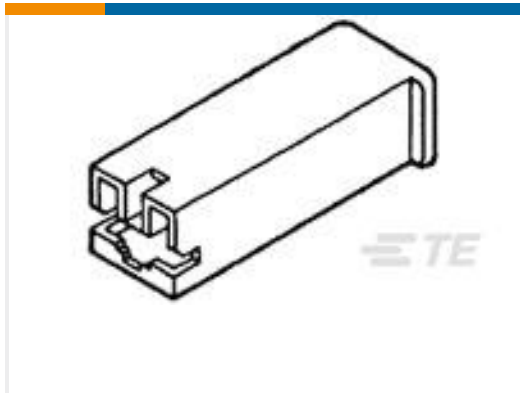


Insertion & Extraction Tools(42)



Other Automotive Connector Accessories(13)

Customers Also Bought



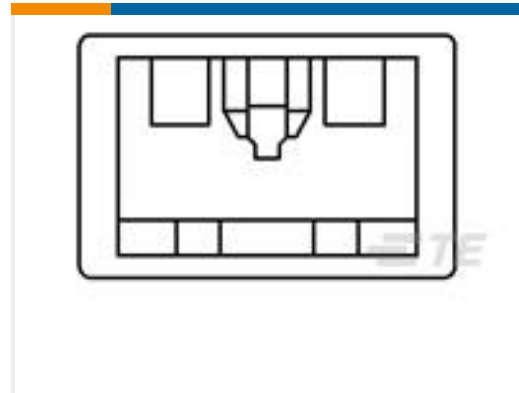
TE Part #172076-6
POSITIVE LOCK 250 HOUSING RECEPTACLE



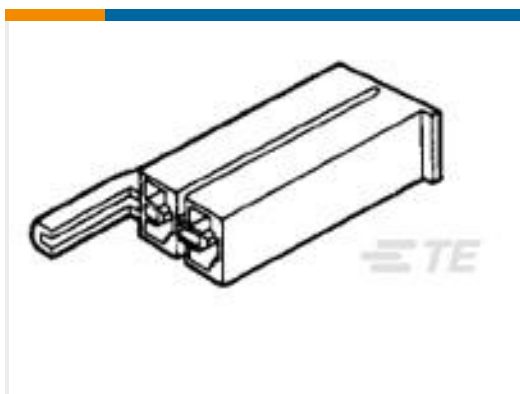
TE Part #1-1376393-3
5.0 PK CONN. 6P PLUG HSG W/O GF - RED



TE Part #1564611-1
6POS MIXED MQS REC COD A



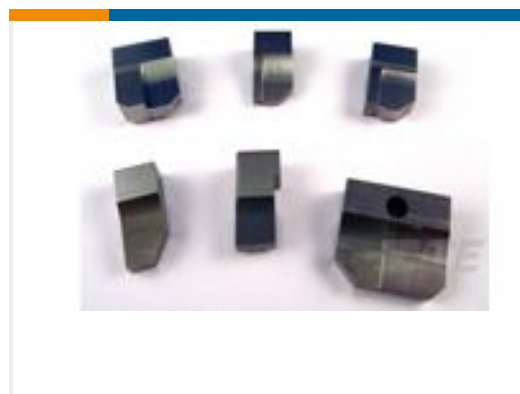
TE Part #1318954-6
250 HSG. PL EX REC. BLUE



TE Part #1-174587-1
PL MK2 2P 187 HOUSING RECEPTACLE NAT



TE Part #1-1633860-9
CRIMPER, WIRE F



TE Part #1-1633930-6
ANVIL, COMBINATION



TE Part #1-1633965-7
CRIMPER, INSUL O PREMIUM



TE Part #CV00476001
QSZH-125-NR4-45MM

Documents

Product Drawings

LOCKING TOOL

English

Datasheets & Catalog Pages

Crimp Term Whitepaper-Use the Right Tool 1-1773953-1

English

CRIMPING WHERE FORM MEETS FUNCTION

English



[Insertion-Extraction-Tool-2345721-1](#)

English

X-ON Electronics

Largest Supplier of Electrical and Electronic Components

Click to view similar products for [Extraction, Removal & Insertion Tools](#) category:

Click to view products by [TE Connectivity](#) manufacturer:

Other Similar products are found below :

[768211-2](#) [8-59558-2](#) [91018-1](#) [1-21048-6](#) [1322](#) [RM-TP](#) [15350707](#) [1579018-4](#) [1976593-3](#) [2-1579008-3](#) [2-1579008-4](#) [229694-7](#) [231106-1](#)
[241469](#) [91040-7](#) [965004-000](#) [965069-000](#) [1738219-1](#) [ET-JL05-16](#) [FG 0300](#) [146 3000](#) [FIT-6](#) [2-1579007-9](#) [231879-1](#) [CF-008025-000](#)
[312138-3](#) [313813-1](#) [RJ11FODE](#) [356-162](#) [M8196914-10](#) [483249-1](#) [5-1579007-2](#) [5-1579007-9](#) [BPR10](#) [313806-1](#) [356-121](#) [JFD-7104-9](#)
[38039-7-0SN](#) [CAT-RE-169-01](#) [DCF.92.090.3LT](#) [DF-SD1RE-MD](#) [51-943.9](#) [0405-0337AS](#) [1055543-1](#) [1-1579028-0](#) [TC-1600-21](#)
[5991111610](#) [5-525450-1](#) [548551-1](#) [300006](#) [312154-1](#)