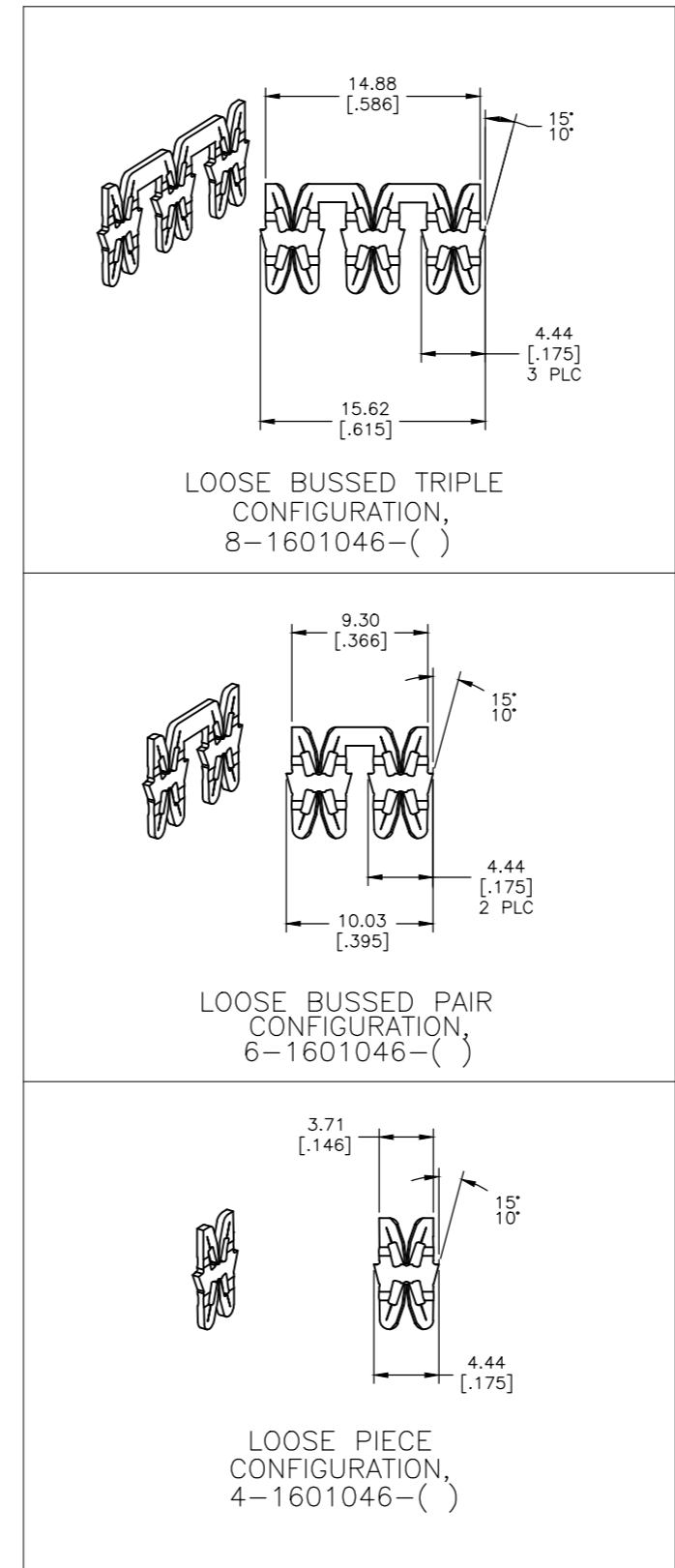
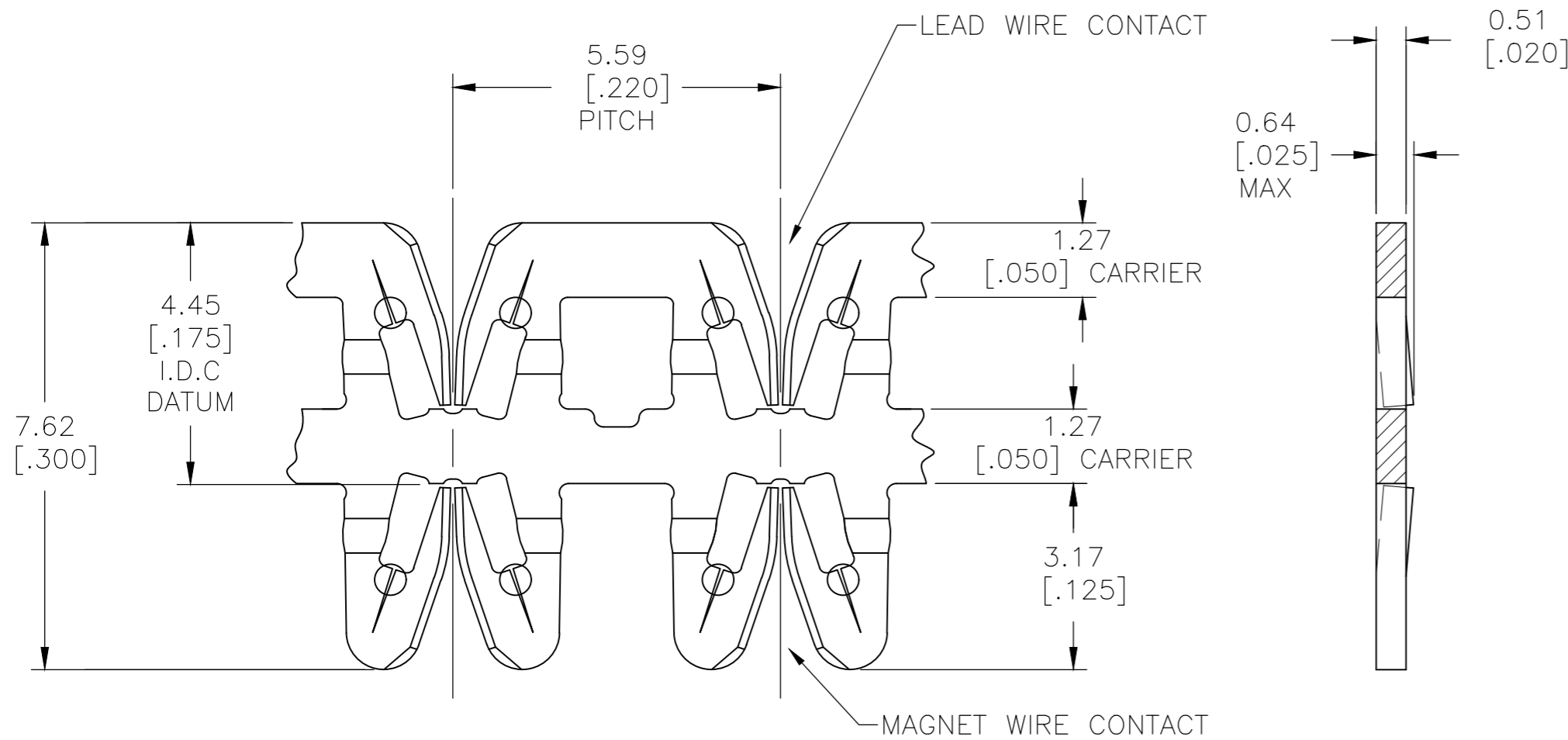


THIS DRAWING IS UNPUBLISHED. RELEASED FOR PUBLICATION
 © COPYRIGHT - By - ALL RIGHTS RESERVED.

REVISIONS				
P	LTR	DESCRIPTION	DATE	APVD
D9		REVISED PER ECR-17-011424	9FEB2018	JH PKS



- SPECIFICATIONS:
MAGNET WIRE #18 - #34 AWG, 1.02mm[.040] - 0.16mm[.006] DIA COPPER. LEAD WIRE #18 - #22 AWG, (0.8mm² - 0.3mm²) STRANDED, BONDED OR SOLID WITH PVC INSULATION. MAX. INSULATION O.D. 2.9mm[.115] NO STRIPPING REQUIRED. OTHER INSULATION TYPES, MAY BE ACCOMMODATED, CONSULT TYCO ELECTRONICS FOR APPROVAL.
- POCKET RECOMMENDATION:
#1601433 FOR DOUBLE BUSSED (COMMONED) TERMINALS AND #1601440 FOR TRIPLE BUSSED (COMMONED) TERMINAL.
- TERMINAL APPLICATION TO COMPLY WITH TYCO ELECTRONICS SPECIFICATION 114-13166 FIGURE 3
- REDUCED PACKAGING QUANTITY.
- PRODUCT SPEC: STANDARD SIAMEZE 108-2085
HIGH TEMPERATURE 108-2293(1601046-3)
- PRELIMINARY - NOT FOR PRODUCTION.



FINISH	MATERIAL	REFERENCE PART NUMBER	TE PART NUMBER
UNPLATED	BRASS, SPRING HARD	331-101-000	8-1601046-1
POST TIN PLATED OVER NICKEL	BRASS, SPRING HARD	-	6-1601046-2
UNPLATED	BRASS, SPRING HARD	231-101-000	6-1601046-1
UNPLATED	BRASS, SPRING HARD	031-101-000	4-1601046-1
UNPLATED	BRASS, SPRING HARD	131-102-000	2-1601046-1
UNPLATED	BRASS, SPRING HARD	-	△4△6 1-1601046-1
UNPLATED	EXTRA HARD Cu ALLOY	-	1601046-3
POST TIN PLATED OVER NICKEL	BRASS, SPRING HARD	-	1601046-2
UNPLATED	BRASS, SPRING HARD	131-101-000	1601046-1

THIS DRAWING IS A CONTROLLED DOCUMENT.

DWN J.WELLER 11JAN2002
 CHK M.FEHER 11JAN2002
 APVD K.RANDOLPH 11JAN2002

DIMENSIONS: mm [INCHES]

TOLERANCES UNLESS OTHERWISE SPECIFIED:
 0 PLC ± -
 1 PLC ± -
 2 PLC ± 0.13[.005]
 3 PLC ± -
 4 PLC ± -
 ANGLES ± 2°

MATERIAL BRASS, SPRING HARD FINISH SEE TABLE

WEIGHT 0.0

CUSTOMER DRAWING

TE Connectivity

STANDARD RANGE WIRE TO WIRE HIGH CARRIER SIAMEZE TERMINAL

SIZE A2 CAGE CODE 00779 DRAWING NO C=1601046 RESTRICTED TO -

SCALE 10:1 SHEET 1 OF 1 REV D9

1601046

A

X-ON Electronics

Largest Supplier of Electrical and Electronic Components

Click to view similar products for [Terminals](#) category:

Click to view products by [TE Connectivity](#) manufacturer:

Other Similar products are found below :

[00-054007-01074-6](#) [00-054007-70206-1](#) [00-054007-70210-8](#) [00-054007-70217-7](#) [00-054007-70226-9](#) [00-054007-70228-3](#) [00-054007-70248-1](#) [00-054007-70256-6](#) [00-054007-70301-3](#) [00-054007-70316-7](#) [0-0320562-0](#) [00-054007-49560-4](#) [00-054007-70209-2](#) [00-054007-70225-2](#) [00-054007-70227-6](#) [00-054007-70231-3](#) [00-054007-70241-2](#) [00-054007-70242-9](#) [00-054007-70244-3](#) [00-054007-70246-7](#) [00-054007-70263-4](#) [00-054007-70288-7](#) [00-054007-70290-0](#) [00-054007-70300-6](#) [00-054007-70304-4](#) [01-2065-1-0216](#) [01-2900-1-04412](#) [00581P0075](#) [600TS-10](#) [60205-1](#) [604200-1](#) [605601-1](#) [60598-1-CUT-TAPE](#) [61314-6-C](#) [61810-3](#) [61-S](#) [61-SN](#) [626-0194](#) [62-NBM-A](#) [62-SN](#) [62-SP](#) [63-S](#) [640179-1](#) [M55155/059I03](#) [M55155/079C01](#) [M55155/099H02](#) [M55155/109H01](#) [M55155/109H02](#) [M55155/12XH05](#) [M55155/16XH02](#)