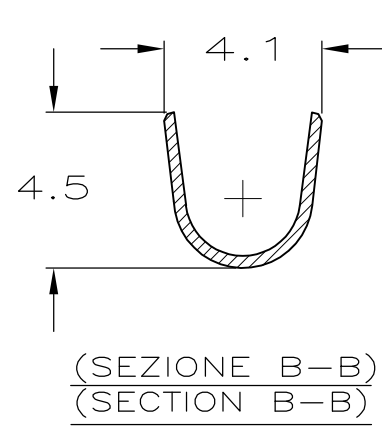
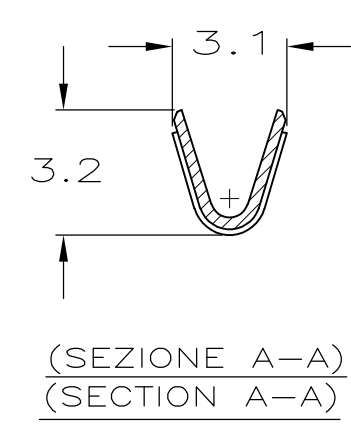
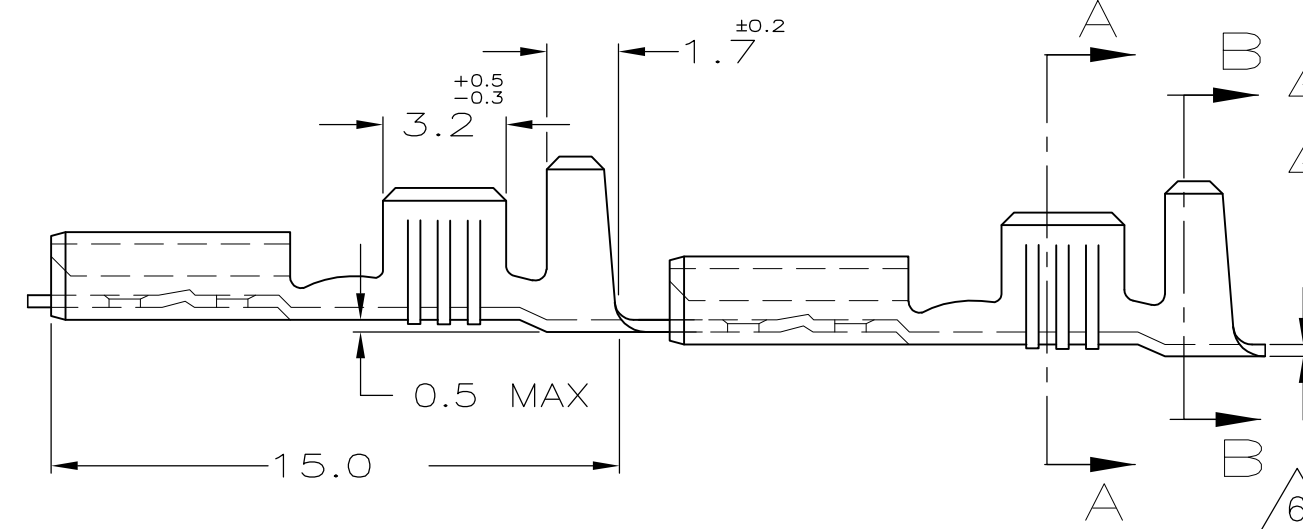
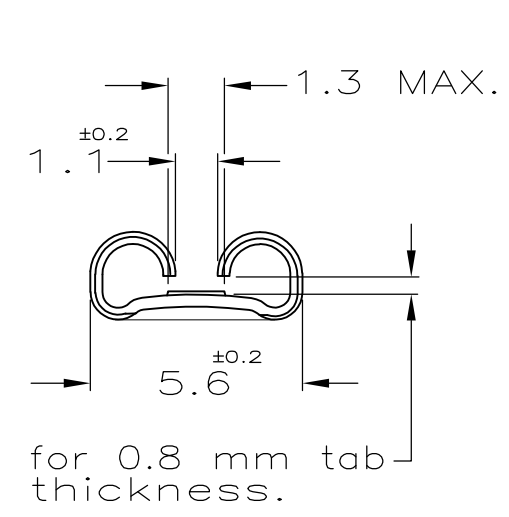
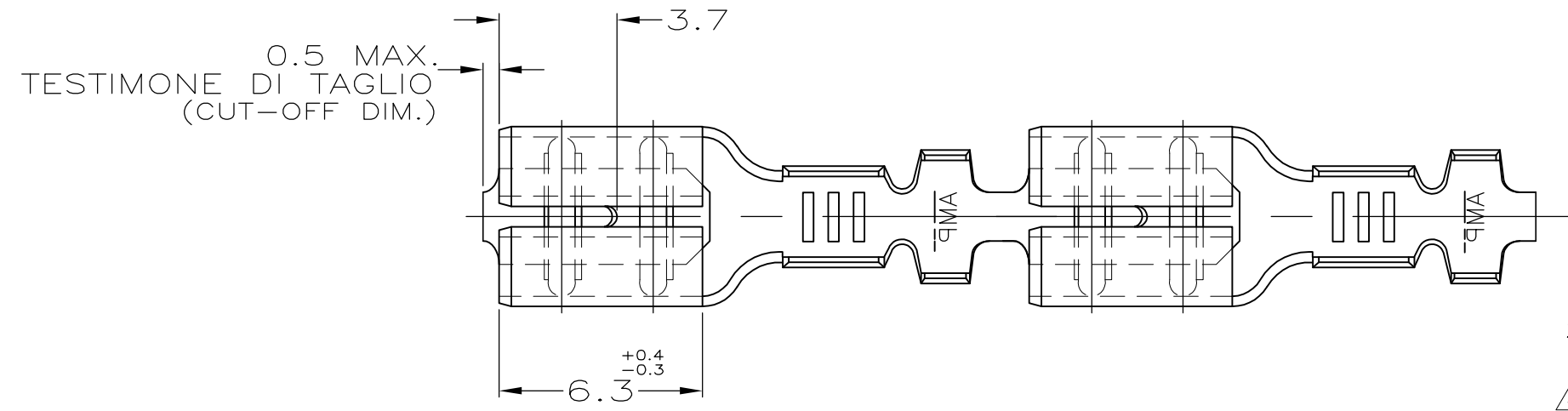


THIS DRAWING IS UNPUBLISHED.
 QUESTO DISEGNO NON DEVE ESSERE DIVULGATO O RIPRODOTTO

RELEASED FOR PUBLICATION
 E' CONSENTITA LA DIVULGAZIONE
 ALL RIGHTS RESERVED.
 TUTTI I DIRITTI SONO RISERVATI

LOC	DIST	REVISIONS REVISIONI					
—	—	P	LTR REV	DESCRIPTION DESCRIZIONE	DATE DATA	DWN DIS.	APVD APP.
			AZ7	REVISED PER ECO-11-005301	02MAR11	RK	HMR



- 1) STATO DI FORNITURA - SCALA 1:1
(SUPPLY CONDITION - SCALE 1:1)
- SENSO DI USCITA DEL TERMINALE DALLA BOBINA
(DIRECTION OFF TOP OF REEL)
- 2) SPECIFICA DI PRODOTTO 108-20019
(PRODUCT SPEC. 108-20019)
- 3) PER LE VERSIONI IN PEZZI SCIOLTI VEDERE DISEGNO 160490
(FOR LOOSE PIECE VERSION SEE DRAWING 160490).
- 4) BOBINATO CON CARTA INTERPOSTA
(REELED WITH INTERLEAVE PAPER STRIP)
- 5) FABBRICATO IN TE CONNECTIVITY BRASIL, QUANTITA' PER BOBINA 15M.
(MANUFACTURED IN TE CONNECTIVITY BRASIL, Q.TY/REEL 15M).

6	4/5	STAGNATO (TIN PLATED)	OTTONE (BRASS)	7-160430-7	AZ
6	5/4	NUDO (UNPLATED)	OTTONE (BRASS)	7-160430-6	AZ
	4	NUDO (UNPLATED)	OTTONE (BRASS)	6-160430-6	AZ
	4	STAGNATO (TIN PLATED)	OTTONE (BRASS)	5-160430-7	AZ
		STAGNATO (TIN PLATED)	BRONZO FOSF. (PH. BRONZE)	5-160430-6	AY
	4	PRE NICHELATO (PRE NICKEL PL.)	ACCIAIO (STEEL)	5-160430-4	AZ
		FINITURA/COLORE (FINISH/COLOR)	MATERIALE (MATERIAL)	NUMERO (P/N)	REV

6 OBSOLETE PARTS: OBSOLETE CIS STREAMLINING PER D.RENAUD/D.SINISI

SUPERSEDED BY
63850-1

DIAM. ISOLANTE INSUL. RANGE	RANGO FILO WIRE RANGE
2.3-3.3mm ϕ	0.5 - 1.5mm ²

THIS DRAWING IS A CONTROLLED DOCUMENT.
 QUESTO DISEGNO E' UN DOCUMENTO CONTROLLATO.

DIMENSIONS: DIMENSIONI: mm

TOLERANCES UNLESS OTHERWISE SPECIFIED: TOLLERANZE: SE NON DIVERSAMENTE SPECIFICATO

0 PLC / DEC \pm -	1 PLC / DEC \pm 0.3	2 PLC / DEC \pm -	3 PLC / DEC \pm -	4 PLC / DEC \pm -	ANGLES / ANGOLI \pm 2'
---------------------	-----------------------	---------------------	---------------------	---------------------	--------------------------

MATERIAL MATERIALE: -

FINISH FINITURA: -

DWN / DIS. H.YAALI 01 FEB 2000
 CHK / CONT. C.TARTARI 01 FEB 2000
 APVD / APP. -

PRODUCT SPEC SPEC DI PRODOTTO: -
 APPLICATION SPEC SPEC DI APPLICAZIONE: -

WEIGHT PESO: -

STE TE Connectivity

FASTON Connector,
.187 sr. REC. CONTACT.

SIZE: A3 CAGE CODE: 00779 DRAWING NO: C-160430 RESTRICTED TO: -

CUSTOMER DRAWING DISEGNO PER CLIENTE SOLO PER RIFERIMENTO SCALE: 5:1 SHEET FOGLIO: 1 OF 1 REV: AZ7

X-ON Electronics

Largest Supplier of Electrical and Electronic Components

Click to view similar products for [Terminals](#) category:

Click to view products by [TE Connectivity](#) manufacturer:

Other Similar products are found below :

[00-054007-01074-6](#) [00-054007-70206-1](#) [00-054007-70210-8](#) [00-054007-70217-7](#) [00-054007-70226-9](#) [00-054007-70228-3](#) [00-054007-70248-1](#) [00-054007-70256-6](#) [00-054007-70301-3](#) [00-054007-70316-7](#) [00-054007-49560-4](#) [00-054007-70209-2](#) [00-054007-70225-2](#) [00-054007-70227-6](#) [00-054007-70231-3](#) [00-054007-70241-2](#) [00-054007-70242-9](#) [00-054007-70244-3](#) [00-054007-70246-7](#) [00-054007-70263-4](#) [00-054007-70288-7](#) [00-054007-70290-0](#) [00-054007-70300-6](#) [00-054007-70304-4](#) [01-2065-1-0216](#) [01-2900-1-04412](#) [00581P0075](#) [600TS-10](#) [60205-1](#) [604200-1](#) [605601-1](#) [60598-1-CUT-TAPE](#) [61314-6-C](#) [61810-3](#) [61-S](#) [61-SN](#) [626-0194](#) [62-NBM-A](#) [62-SN](#) [62-SP](#) [63-S](#) [640179-1](#) [M55155/059I03](#) [M55155/079C01](#) [M55155/099H02](#) [M55155/109H01](#) [M55155/109H02](#) [M55155/12XH05](#) [M55155/16XH02](#) [M55155/29-5S](#)