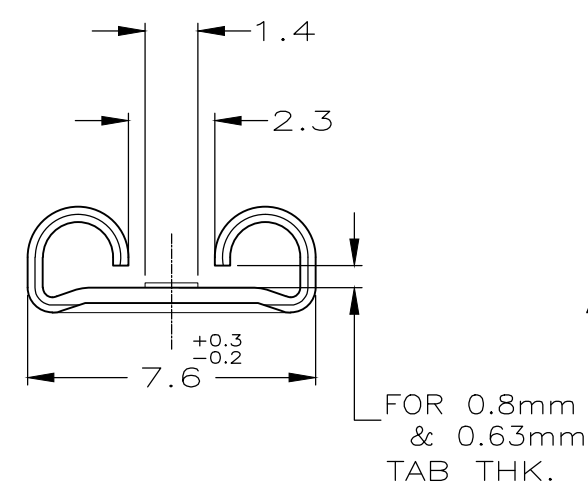
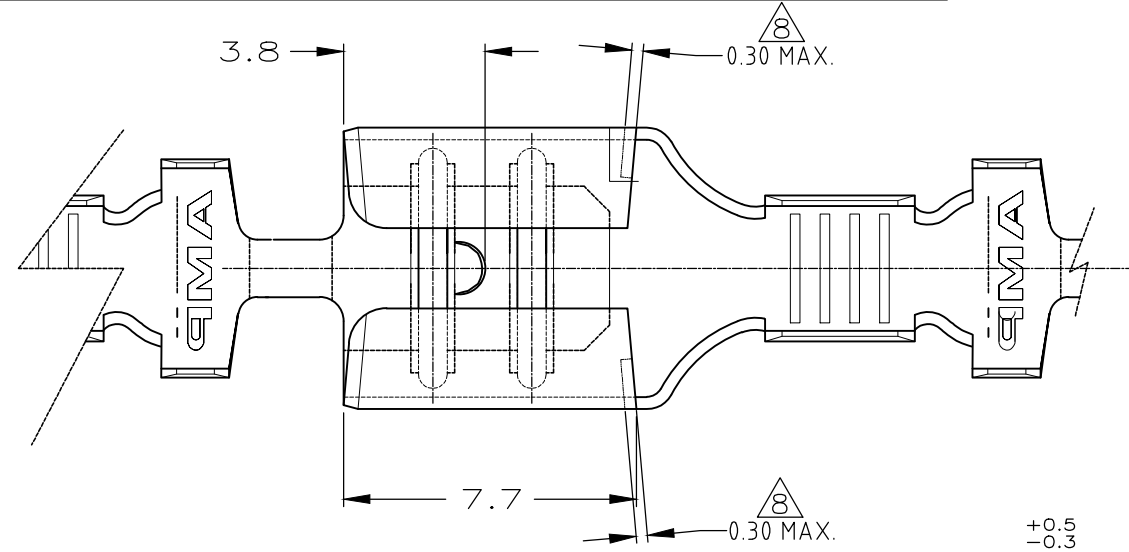
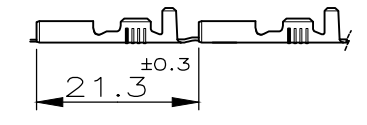


THIS DRAWING IS UNPUBLISHED. RELEASED FOR PUBLICATION
 © COPYRIGHT - By - ALL RIGHTS RESERVED.

REVISIONS					
P	LTR	DESCRIPTION	DATE	DWN	APVD
	AW9	REVISED PER ECR-19-003911	12MAR2019	BH	E.W



1) STATO DI FORNITURA - SCALA 1:1
 (SUPPLY CONDITION - SCALE 1:1)



SENDO DI USCITA DEL TERMINALE DALLA BOBINA
 (DIRECTION OFF TOP OF REEL)

2) SPECIFICA DI PRODOTTO 108-20019
 (PRODUCT SPEC. 108-20019)
 SPECIFICA DI APPLICAZIONE 114-20023
 (APPLICATION SPEC. 114-20023).

3) PER LE VERSIONI IN PEZZI SCIOLTI VEDERE DISEGNO 160506
 (FOR LOOSE PIECE VERSION SEE DRAWING 160506).

4) NON IN PRODUZIONE
 (NOT YET RELEASE FOR PRODUCTION)

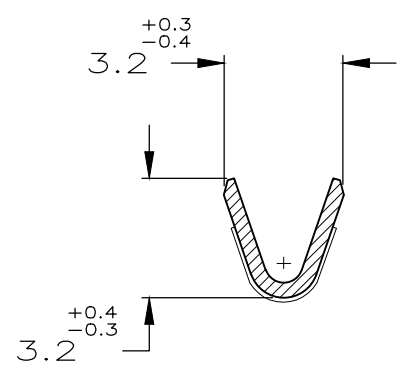
5) ADATTO PER ALTA FORZA DI ESTRAZIONE
 (SUITABLE FOR HIGHER EXTRACTION FORCE)

6) ADATTO PER TAB SPESSO 0.63mm.
 (FOR 0.63mm TAB THK.)

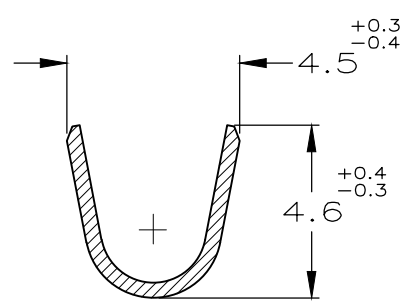
7) PACKAGE WITH INTERLAYER PAPER
 0.4 MAT. THK.

8) CUT-OFF OFFSET IS ALLOWED BY 0.3mm MAX.
 THIS MAY BE REQUIRED FOR MANUFACTURING,
 BUT WILL NOT IMPACT THE INTENDED PERFORMANCE OF THE CONTACT.

SEZIONE A-A
 (SECTION A-A)



SEZIONE B-B
 (SECTION B-B)



7/4	STAGNATO (TINPLATED)	OTTONE (BRASS)	7-160432-4	AY
6/4	STAGNATO (TINPLATED)	OTTONE (BRASS)	7-160432-3	AY
5/4	STAGNATO (TINPLATED)	OTTONE (BRASS)	7-160432-2	AW
5/4	NUDO (UNPLATED)	OTTONE (BRASS)	7-160432-1	AW
	STAGNATO (TINPLATED)	OTTONE (BRASS)	7-160432-0	AU
	NUDO (UNPLATED)	BRONZO FOSF.(PH. BRONZE)	6-160432-4	AU
	PRE NICHELATO (PRE NICKEL PLATED)	ACCIAIO (STEEL)	6-160432-3	AU
	STAGNATO (TINPLATED)	BRONZO FOSF.(PH. BRONZE)	6-160432-0	AU
	ARGRNTATO (SILVER PLATED)	OTTONE (BRASS)	5-160432-7	AW
	STAGNATO (TINPLATED)	OTTONE (BRASS)	5-160432-4	AU
	NUDO (UNPLATED)	OTTONE (BRASS)	5-160432-3	AW
NOTE (NOTES)	FINITURA (FINISH)	MATERIALE (MATERIAL)	NUMERO (P/N)	REV

THIS DRAWING IS A CONTROLLED DOCUMENT.

DWN H.YAALI 14 MAY 99	 TE Connectivity	NAME			
CHK C.TARTARI 14 MAY 99		FASTON® Connector			
APVD -		.250 SERIES REC. CONTACT			
DIMENSIONS: mm	PRODUCT SPEC -	SIZE	CAGE CODE	DRAWING NO	RESTRICTED TO
TOLERANCES UNLESS OTHERWISE SPECIFIED: ±0.3	APPLICATION SPEC 2	0.785	A300779	C-160432	-
0 PLC ±	WEIGHT	CUSTOMER DRAWING		SCALE -	SHEET 1 OF 1
1 PLC ±	FINISH / FINITURA	SEE TABLE (VEDI LA TABELLA)		REV AW9	
2 PLC ±	SEE TABLE (VEDI LA TABELLA)				
3 PLC ±					
4 PLC ±					
ANGLES ±2°					

X-ON Electronics

Largest Supplier of Electrical and Electronic Components

Click to view similar products for [Terminals](#) category:

Click to view products by [TE Connectivity](#) manufacturer:

Other Similar products are found below :

[00-054007-01074-6](#) [00-054007-70206-1](#) [00-054007-70210-8](#) [00-054007-70217-7](#) [00-054007-70226-9](#) [00-054007-70228-3](#) [00-054007-70248-1](#) [00-054007-70256-6](#) [00-054007-70301-3](#) [00-054007-70316-7](#) [0-0320562-0](#) [00-054007-49560-4](#) [00-054007-70209-2](#) [00-054007-70225-2](#) [00-054007-70227-6](#) [00-054007-70231-3](#) [00-054007-70241-2](#) [00-054007-70242-9](#) [00-054007-70244-3](#) [00-054007-70246-7](#) [00-054007-70263-4](#) [00-054007-70288-7](#) [00-054007-70290-0](#) [00-054007-70300-6](#) [00-054007-70304-4](#) [01-2065-1-0216](#) [01-2900-1-04412](#) [00581P0075](#) [600TS-10](#) [60205-1](#) [604200-1](#) [605601-1](#) [60598-1-CUT-TAPE](#) [61314-6-C](#) [61810-3](#) [61-S](#) [61-SN](#) [626-0194](#) [62-NBM-A](#) [62-SN](#) [62-SP](#) [63-S](#) [640179-1](#) [M55155/059I03](#) [M55155/079C01](#) [M55155/099H02](#) [M55155/109H01](#) [M55155/109H02](#) [M55155/12XH05](#) [M55155/16XH02](#)