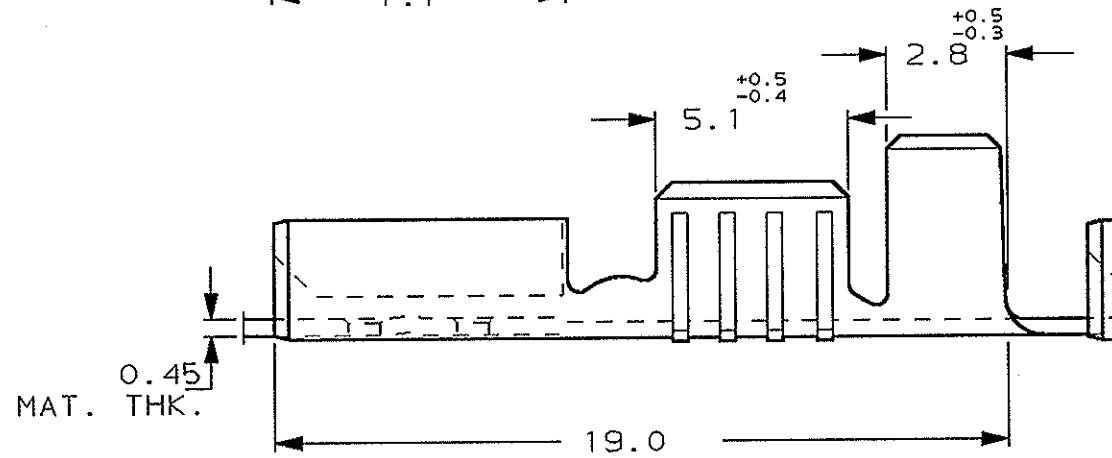
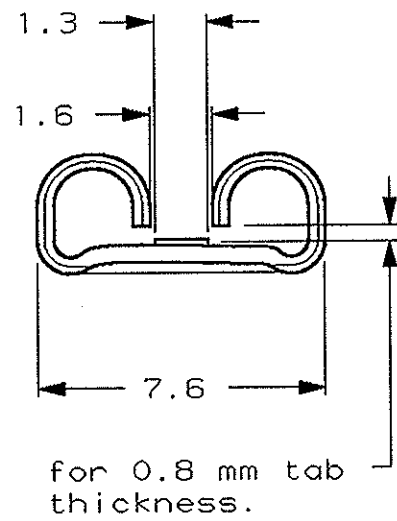
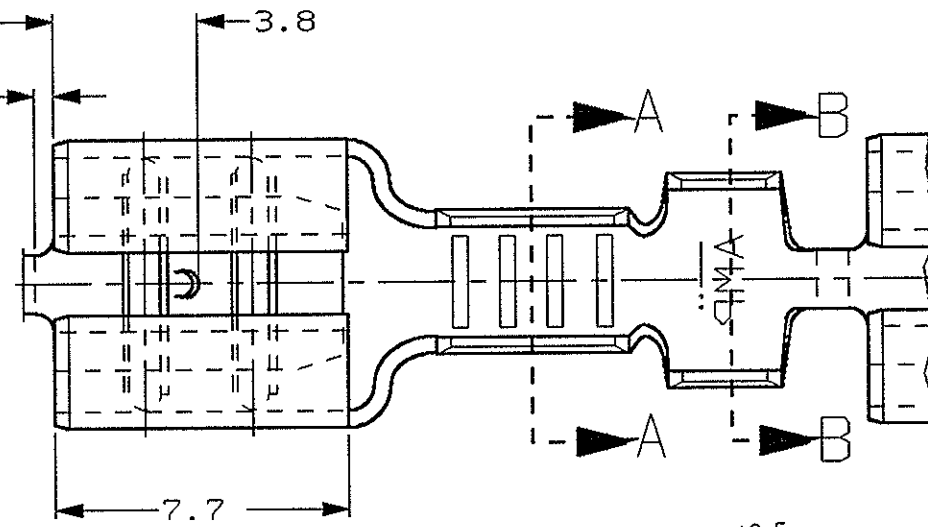


SCALA NON IMPEGNATIVA  
(DO NOT SCALE)  
DIMENSIONI IN mm  
(DIMENSIONS IN)

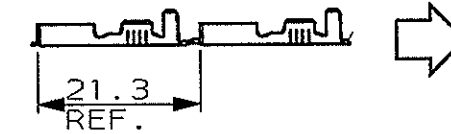
**METRIC**

THIRD ANGLE  
PROJECTION

0.5 MAX.  
TESTIMONE DI TAGLIO  
(CUT-OFF DIM.)



1) STATO DI FORNITURA - SCALA 1:1  
(SUPPLY CONDITION - SCALE 1:1)



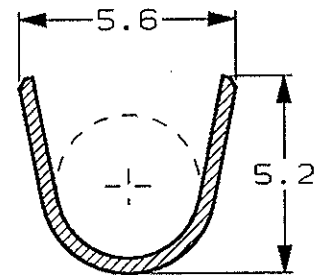
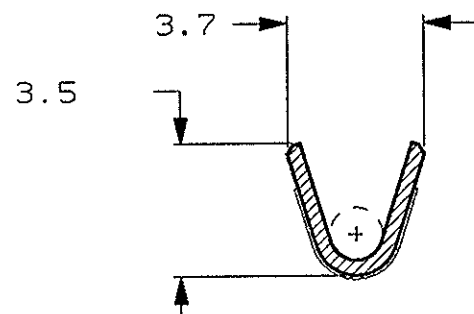
SENSO DI USCITA  
DEL TERMINALE  
DALLA BOBINA  
(DIRECTION OFF  
TOP OF REEL)

2) SPECIFICA DI PRODOTTO 108-20019  
(PRODUCT SPEC. 108-20019)

3) PER LE VERSIONI IN PEZZI SCIOLTI  
VEDERE DISEGNO 160563 & 160742  
(FOR LOOSE PIECE VERSION SEE DRAWING 160563 & 160742).

**SEZIONE A-A**  
(SECTION A-A)

**SEZIONE B-B**  
(SECTION B-B)



STAGNATO (TIN PLATED)	BRONZO FOSF. (PHOS. BRONZE)	6-160465-1	AH
STAGNATO (TIN PLATED)	OTTONE (BRASS)	6-160465-0	AH
NUDO (UNPLATED)	OTTONE (BRASS)	5-160465-1	AH
FINITURA / COLORE (FINISH / COLOUR)	MATERIALE (MATERIAL)	NUMERO (AMP P/N)	REV

CUSTOMER DWG.  
FOR REFERENCE ONLY

DISEGNO PER CLIENTE  
SOLO PER RIFERIMENTO

THIS DRAWING IS UNPUBLISHED RELEASE FOR PUBLICATION 19  
© COPYRIGHT 19 BY AMP INCORPORATED, HARRISBURG, PA. ALL INTERNATIONAL RIGHT RESERVED. AMP PRODUCTS MAY BE COVERED BY U.S. AND FOREIGN PATENT AND/OR PATENT PENDING

TOLLERANZE: SE NON DIVERSAMENTE SPECIFICATO  
(TOLERANCES, UNLESS OTHERWISE SPECIFIED)

DIAH. ISOLANTE (INS. DIA. RANGE)	RANGO FILO (WIRE RANGE)	SCALA (SCALE)
3.0-4.3	0.75-1.50	5:1

ANGOLI  
(ANGLES) ± 2°

**AMP** AMP ITALIA S.p.A.  
Corso F.LLI Cervi, 15  
COLLEGNO (TORINO)

AJ3	CORRECT MATERIAL THICKNESS	H.Y.	03 FEB 2006
AJ2	REVISED ET00-0033-05	H.Y.	03 FEB 2005
AJ1	REVISED ET00-0086-01	H.Y.	17 APR 2001
AJ	OBSOLETE PARTS & REDRAWN ET00-0054-00	H.Y.	08 MAR 2000
REV.	REVISIONI (REVISION RECORD)	DIS. DATA (DR)	DATA (DATE)

DIS. H. YAALI 03 AUG 2000  
CONT. C. TARTARI 03 AUG 2000

DESCRIZIONE (DESCRIPTION) FASTON® Connector, .250" sr. REC. CONTACT.

LOC. SIZE	NUMERO (DWG NO)	REV.	FOGLIO (SHEET)
IA3	C-160465	AJ3	1 OF 1

DISTRIBUZIONE (PRINT DIST.)

## X-ON Electronics

Largest Supplier of Electrical and Electronic Components

*Click to view similar products for [Terminals](#) category:*

*Click to view products by [TE Connectivity](#) manufacturer:*

Other Similar products are found below :

[00-054007-01074-6](#) [00-054007-70206-1](#) [00-054007-70210-8](#) [00-054007-70217-7](#) [00-054007-70226-9](#) [00-054007-70228-3](#) [00-054007-70248-1](#) [00-054007-70256-6](#) [00-054007-70301-3](#) [00-054007-70316-7](#) [0-0320562-0](#) [00-054007-49560-4](#) [00-054007-70209-2](#) [00-054007-70225-2](#) [00-054007-70227-6](#) [00-054007-70231-3](#) [00-054007-70241-2](#) [00-054007-70242-9](#) [00-054007-70244-3](#) [00-054007-70246-7](#) [00-054007-70263-4](#) [00-054007-70288-7](#) [00-054007-70290-0](#) [00-054007-70300-6](#) [00-054007-70304-4](#) [01-2065-1-0216](#) [01-2900-1-04412](#) [00581P0075](#) [600TS-10](#) [60205-1](#) [604200-1](#) [605601-1](#) [60598-1-CUT-TAPE](#) [61314-6-C](#) [61810-3](#) [61-S](#) [61-SN](#) [626-0194](#) [62-NBM-A](#) [62-SN](#) [62-SP](#) [63-S](#) [640179-1](#) [M55155/059I03](#) [M55155/079C01](#) [M55155/099H02](#) [M55155/109H01](#) [M55155/109H02](#) [M55155/12XH05](#) [M55155/16XH02](#)