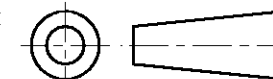


DO NOT SCALE
DIMENSIONS IN mm

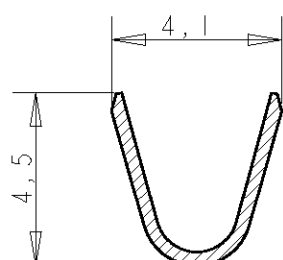
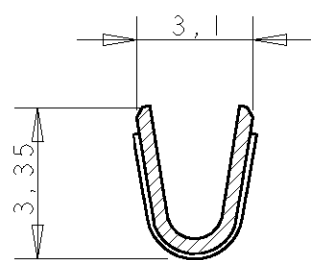
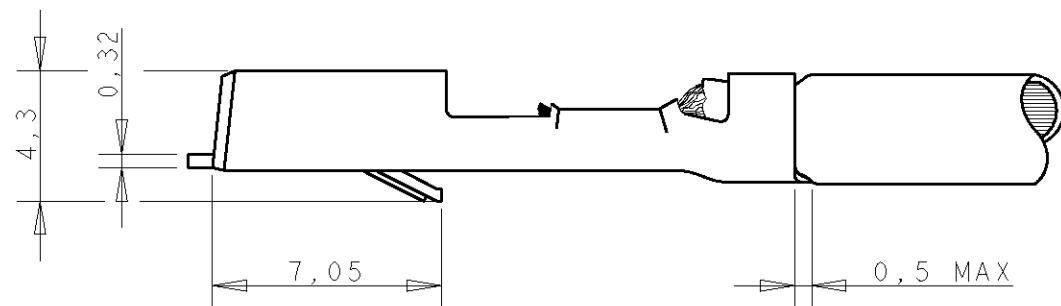
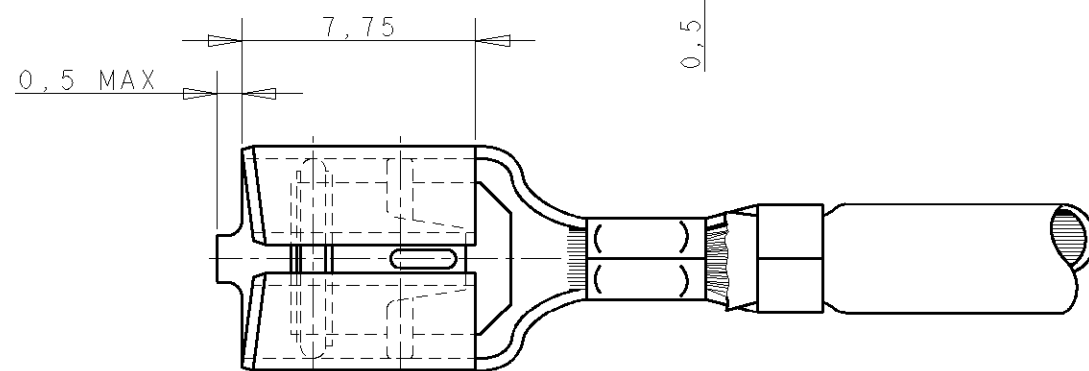
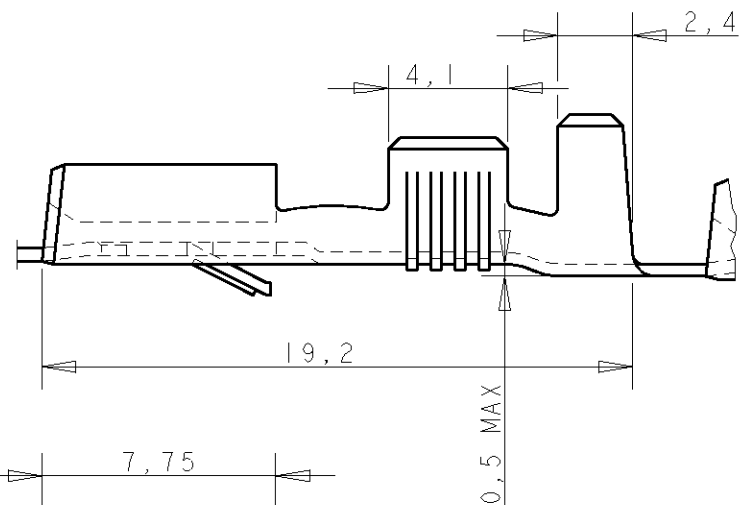
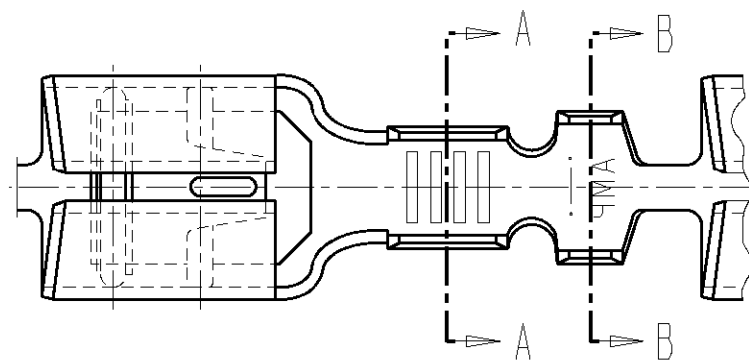
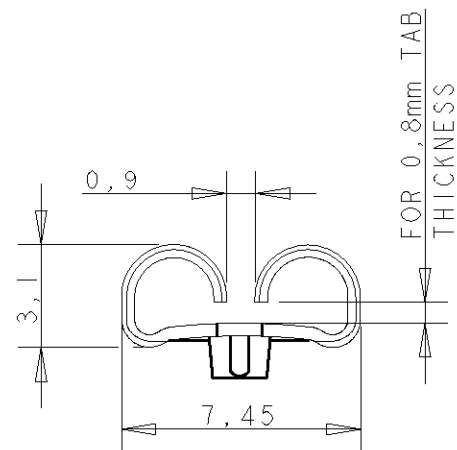
METRIC

THIRD ANGLE
PROJECTION



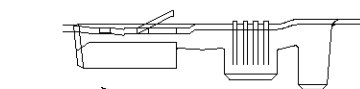
NOTES

- 1 NO BEAT IN LOCKING LANCE REQUIRED.
- 2 FOR HIGHER EXTRACTION FORCE APPLICATION.
- 3 OBSOLETE PARTS: OBSOLETE CIS STREAMLINING PER D.RENAUD/D.SINISI



WIRE RANGE :
0,5-1,5 mm²
INSULATION RANGE :
2,3-3,3mm DIA.

DIRECTION OFF TOP OF REEL



Terminal "U" down.

GENERAL TOLERANCES ±0.3

NOTES	FINISH	MATERIAL	PART NUMBER	REV
3 OBSOLETE		PRE-TINPLATED	PH. BRONZE	6-160526-8
		PRE-TINPLATED	BRASS	6-160526-7
	2 1	UNPLATED	BRASS	9-160526-4
		TINPLATED	PH. BRONZE	6-160526-2
		SILVERPLATED	BRASS	6-160526-1
		SILVERPLATED	PH. BRONZE	6-160526-0
		TINPLATED	PH. BRONZE	5-160526-9
		UNPLATED	PH. BRONZE	5-160526-8
		TINPLATED	BRASS	5-160526-7
		UNPLATED	BRASS	5-160526-6
		TINPLATED	PH. BRONZE	160526-4

CUSTOMER DRAWING FOR REFERENCE ONLY
WILL NOT BE UPDATED

THIS DRAWING IS UNPUBLISHED
RELEASED FOR PUBLICATION



NAME
FASTIN-FASTON® Connector,
.250" sr. REC. CONTACT.

AL3	REVISED PER ECO-11-005140	RK	HMR	01APR11
LTR.	REVISION RECORD	DR.	CHK.	DATE
DR.:	J.v.LIEMPT.	CHK.:	A.BIJNEN.	APP.:
DATE:	23 MAR 1992	DATE:	-	DATE:

DWG. No.	C-160526	REV. LTR.	AL3	SHEET	1 OF 1	A3
----------	----------	-----------	-----	-------	--------	----

X-ON Electronics

Largest Supplier of Electrical and Electronic Components

Click to view similar products for [Terminals](#) category:

Click to view products by [TE Connectivity](#) manufacturer:

Other Similar products are found below :

[00-054007-01074-6](#) [00-054007-70206-1](#) [00-054007-70210-8](#) [00-054007-70217-7](#) [00-054007-70226-9](#) [00-054007-70228-3](#) [00-054007-70248-1](#) [00-054007-70256-6](#) [00-054007-70301-3](#) [00-054007-70316-7](#) [0-0320562-0](#) [00-054007-49560-4](#) [00-054007-70209-2](#) [00-054007-70225-2](#) [00-054007-70227-6](#) [00-054007-70231-3](#) [00-054007-70241-2](#) [00-054007-70242-9](#) [00-054007-70244-3](#) [00-054007-70246-7](#) [00-054007-70263-4](#) [00-054007-70288-7](#) [00-054007-70290-0](#) [00-054007-70300-6](#) [00-054007-70304-4](#) [01-2065-1-0216](#) [01-2900-1-04412](#) [00581P0075](#) [600TS-10](#) [60205-1](#) [604200-1](#) [605601-1](#) [60598-1-CUT-TAPE](#) [61314-6-C](#) [61810-3](#) [61-S](#) [61-SN](#) [626-0194](#) [62-NBM-A](#) [62-SN](#) [62-SP](#) [63-S](#) [640179-1](#) [M55155/059I03](#) [M55155/079C01](#) [M55155/099H02](#) [M55155/109H01](#) [M55155/109H02](#) [M55155/12XH05](#) [M55155/16XH02](#)