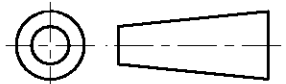


DO NOT SCALE
DIMENSIONS IN mm

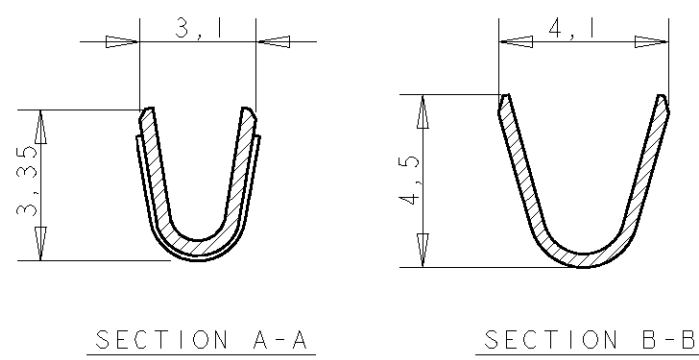
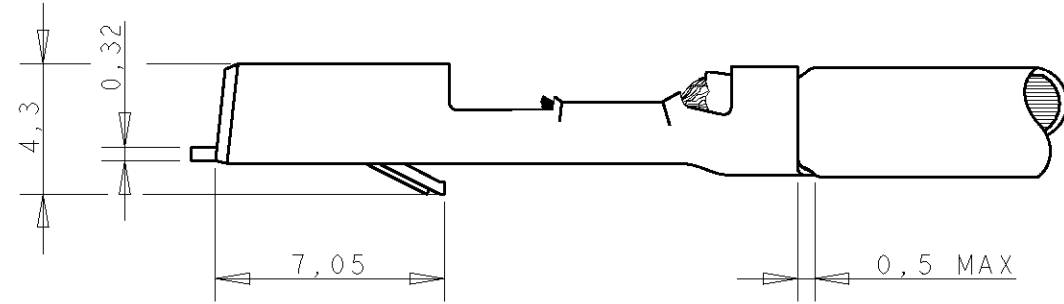
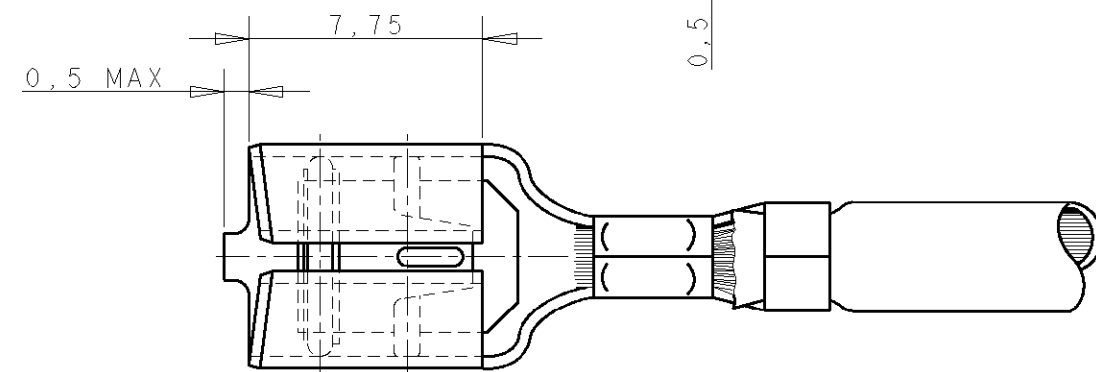
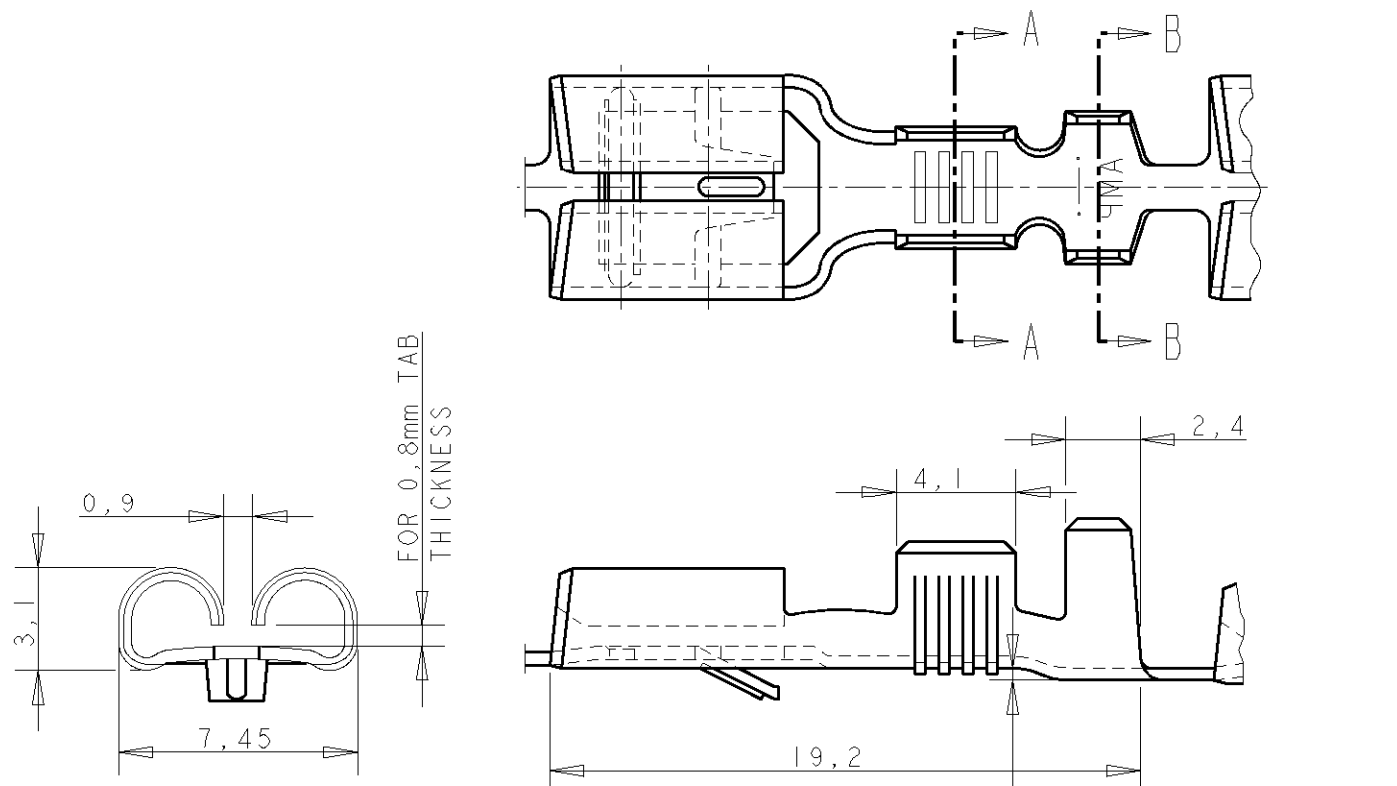
METRIC

THIRD ANGLE
PROJECTION

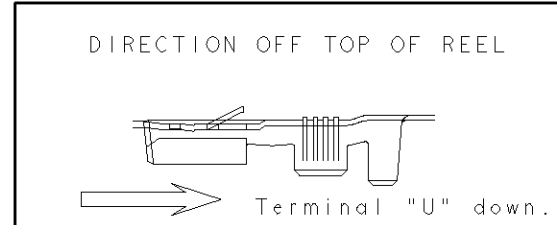


NOTES

- 1 NO BEAT IN LOCKING LANCE REQUIRED.
- 2 FOR HIGHER EXTRACTION FORCE APPLICATION.
- 3 OBSOLETE PARTS: OBSOLETE CIS STREAMLINING PER D.RENAUD/D.SINISI



WIRE RANGE :
0,5-1,5 mm²
INSULATION RANGE :
2,3-3,3mm DIA.



GENERAL TOLERANCES ±0.3

| NOTES | FINISH | MATERIAL | PART NUMBER | REV | |
|---------------|--------|---------------|-------------|-----------------------|--|
| 3 OBSOLETE | | PRE-TINPLATED | PH. BRONZE | 6-160526-8 | |
| | | PRE-TINPLATED | BRASS | 6-160526-7 | |
| | 2 1 | UNPLATED | BRASS | 9-160526-4 | |
| | | TINPLATED | PH. BRONZE | 6-160526-2 | |
| | | SILVERPLATED | BRASS | 6-160526-1 | |
| | | SILVERPLATED | PH. BRONZE | 6-160526-0 | |
| | | TINPLATED | PH. BRONZE | 5-160526-9 | |
| | | UNPLATED | PH. BRONZE | 5-160526-8 | |
| | | TINPLATED | BRASS | 5-160526-7 | |
| | | UNPLATED | BRASS | 5-160526-6 | |
| | | TINPLATED | PH. BRONZE | 160526-4 | |

CUSTOMER DRAWING FOR REFERENCE ONLY
WILL NOT BE UPDATED

THIS DRAWING IS UNPUBLISHED
RELEASED FOR PUBLICATION



NAME
FASTIN-FASTON® Connector,
.250" sr. REC. CONTACT.

| | | | | | |
|-------|---------------------------|-------|-----------|---------|------------|
| AL3 | REVISED PER ECO-11-005140 | RK | HMR | 01APR11 | |
| LTR. | REVISION RECORD | DR. | CHK. | DATE | |
| DR.: | J.v.LIEMPT. | CHK.: | A.BIJNEN. | APP.: | L.v.SOEST. |
| DATE: | 23 MAR 1992 | DATE: | - | DATE: | - |

| | | | | | | |
|----------|----------|-----------|-----|-------|--------|----|
| DWG. No. | C-160526 | REV. LTR. | AL3 | SHEET | 1 OF 1 | A3 |
|----------|----------|-----------|-----|-------|--------|----|

X-ON Electronics

Largest Supplier of Electrical and Electronic Components

Click to view similar products for [Terminals](#) category:

Click to view products by [TE Connectivity](#) manufacturer:

Other Similar products are found below :

[00-054007-01074-6](#) [00-054007-70206-1](#) [00-054007-70210-8](#) [00-054007-70217-7](#) [00-054007-70226-9](#) [00-054007-70228-3](#) [00-054007-70248-1](#) [00-054007-70256-6](#) [00-054007-70301-3](#) [00-054007-70316-7](#) [00-054007-49560-4](#) [00-054007-70209-2](#) [00-054007-70225-2](#) [00-054007-70227-6](#) [00-054007-70231-3](#) [00-054007-70241-2](#) [00-054007-70242-9](#) [00-054007-70244-3](#) [00-054007-70246-7](#) [00-054007-70263-4](#) [00-054007-70288-7](#) [00-054007-70290-0](#) [00-054007-70300-6](#) [00-054007-70304-4](#) [01-2065-1-0216](#) [01-2900-1-04412](#) [00581P0075](#) [600TS-10](#) [60205-1](#) [604200-1](#) [605601-1](#) [60598-1-CUT-TAPE](#) [61314-6-C](#) [61810-3](#) [61-S](#) [61-SN](#) [626-0194](#) [62-NBM-A](#) [62-SN](#) [62-SP](#) [63-S](#) [640179-1](#) [M55155/059I03](#) [M55155/079C01](#) [M55155/099H02](#) [M55155/109H01](#) [M55155/109H02](#) [M55155/12XH05](#) [M55155/16XH02](#) [M55155/29-5S](#)