

High Voltage Gas-Filled Relay

Features

Physical:

- Hermetically Sealed: arc contained
- Maintenance free

Environmental:

- Temperature range -55°C to 125°C
- 50G Shock

Power Switching:

- Tungsten contacts for switching high in-rush loads
- Gas filled for capacitive discharge applications
- Ideal for ESD testing applications

Coil Voltage:

- 12, 26.5, 115 Vdc Standard



CII Technologies™
advanced control electronic solutions

P.O. Box 4422, Santa Barbara, CA 93140
Phone (805) 684-4560 Fax (805) 684-9679
E-Mail: info@ciitech.com
Internet: <http://www.ciitech.com/>

TITLE

High Voltage Gas-Filled Relay

PREP. BY TANNER 91/4/25

CHKD. BY RG 91/4/25

ENG APRVL RG 91/5/6

DWG NO.

HC-6 SERIES

CAGE CODE

18741

SCALE

NA

SHEET

1 of 5

General Specifications

C

Physical Data

Units

Contact Arrangement		SPDT
Form		C
Weight	oz	1.4

Environmental Data

Shock, 11ms ½ sine	g_{peak}	50
Vibration, 10 g_{peak}	Hz	55-2000
Operating Temperature Range	°C	-55 to +125

Electrical Data

Test Voltage (dc or 60 Hz)	kV_{peak}	10
Rated Operating Voltage (dc or 60 Hz)	kV_{peak}	8
Coil Hi-Pot	V_{rms}	500
Continuous Current Carry, Contacts Closed (dc or 60 Hz)	A	15
Contact Resistance, maximum*	Ohms	0.50
Mechanical Life	cycles	1,000,000

Mechanical Data

Operate Time, Maximum	ms	6
Release Time, Maximum	ms	6

1. RATINGS LISTED ARE FOR 25 °C SEA LEVEL CONDITIONS.
2. RELAY BASE MUST BE GROUNDED

*CONTACT RESISTANCE FOR GAS FILLED RELAYS IS MEASURED AT 28 Vdc, 1 Ampere



P.O. Box 4422, Santa Barbara, CA 93140
 Phone: (805) 684-4560 Fax: (805) 684-9679
 E-Mail: info@ciitech.com
 Internet: <http://www.ciitech.com>

HC-6 SERIES

THIRD ANGLE PROJECTION



THIS DRAWING
 PREPARED IN
 ACCORDANCE WITH

CAGE CODE

10744

SCALE

1:1

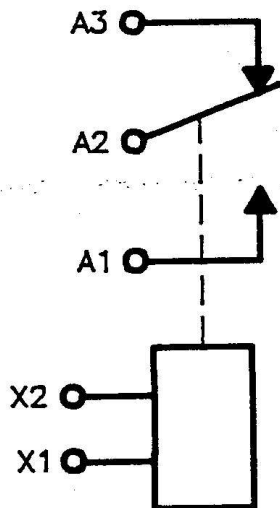
SHEET

01 of 5

Coil Data

	Units	HC-6/12VDC	HC-6	HC-6/115VDC
Coil Voltage, nominal	Vdc	12	26.5	115
Pickup Voltage, maximum	Vdc	8	16	80
Drop-out Voltage	Vdc	.5-5	1-10	5-50
Coil Resistance (± 10%)	Ohms	80	335	6000

Schematic



P.O. Box 4422, Santa Barbara, CA 93140
 Phone: (805) 684-4560 Fax: (805) 684-9679
 E-Mail: info@ciitech.com
 Internet: <http://www.ciitech.com>

HC-6 SERIES

THIRD ANGLE PROJECTION



THIS DRAWING
 PREPARED IN
 ACCORDANCE WITH

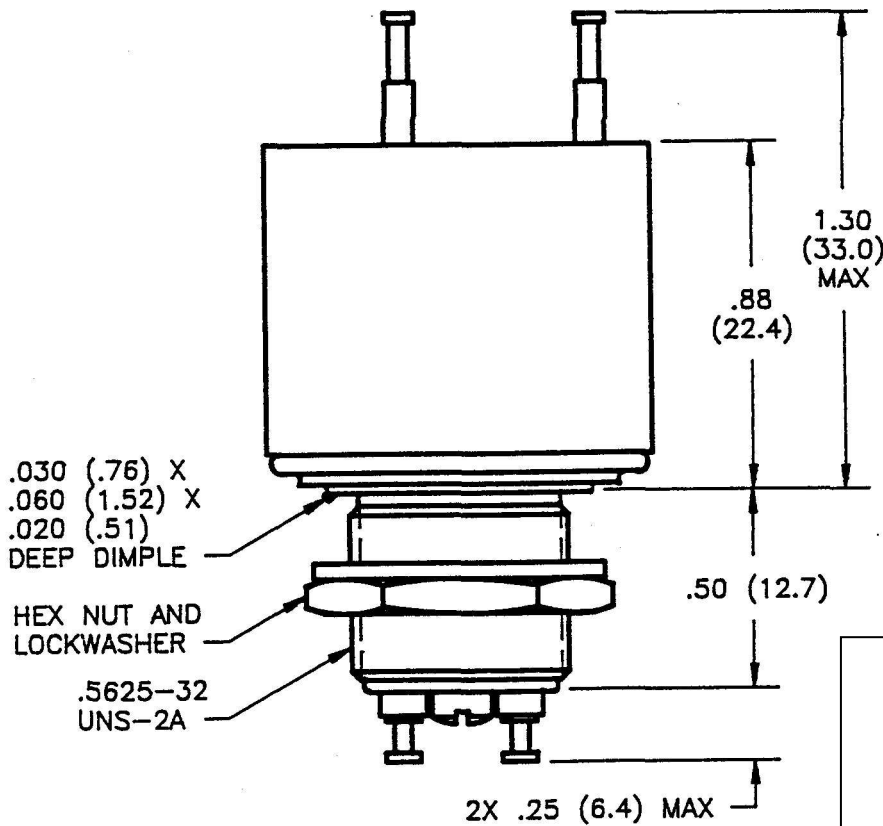
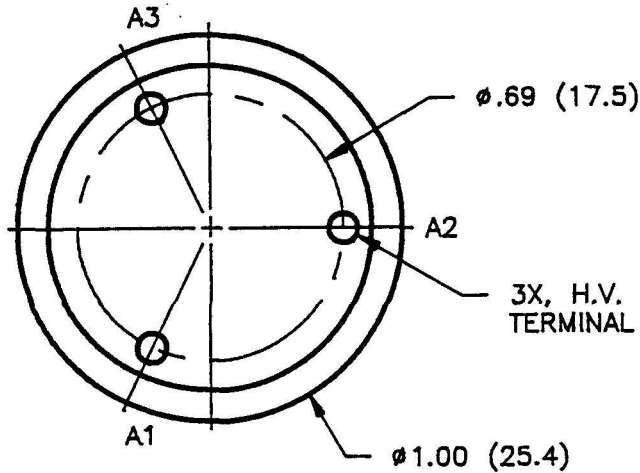
CAGE CODE

SCALE

SHEET

Part Drawing

C



Dimensions in Inches
 (Dimensions in Parentheses are in Millimeters)
 Tolerances Except as Noted
 .xx = $\pm .03$
 .xxx = $\pm .010$
 $\angle x^\circ = \pm 2^\circ$
 DO NOT SCALE DWG.



P.O. Box 4422, Santa Barbara, CA 93140
 Phone: (805) 684-4560 Fax: (805) 684-9679
 E-Mail: info@ciitech.com
 Internet: <http://www.ciitech.com>

HC-6 SERIES

THIRD ANGLE PROJECTION



THIS DRAWING
 PREPARED IN
 ACCORDANCE WITH

CAGE CODE

SCALE

SHEET

Revisions

REV.	DESCRIPTION	DATE	APP.
A	Initial Release	NPR 8627	RG
B	Revised Pages 1 and 4	ECO 8947	RG
C	New Template	DCO 11856	RJG



P.O. Box 4422, Santa Barbara, CA 93140
 Phone: (805) 684-4560 Fax: (805) 684-9679
 E-Mail: info@ciitech.com
 Internet: <http://www.ciitech.com>

HC-6 SERIES

THIRD ANGLE PROJECTION



THIS DRAWING
 PREPARED IN
 ACCORDANCE WITH

CAGE CODE

10744

SCALE

1:1

SHEET

5 of 5

X-ON Electronics

Largest Supplier of Electrical and Electronic Components

Click to view similar products for [Industrial Relays](#) category:

Click to view products by [TE Connectivity](#) manufacturer:

Other Similar products are found below :

[6-1617801-8](#) [6-1618107-9](#) [7-1618273-3](#) [EV250-4A-02](#) [EV250-6A-01](#) [FCA-125-CX8](#) [FCA-325-159](#) [FCA-410-138](#) [8000-S3121](#) [8-1618273-6](#)
[8-1618393-1](#) [GCA63A220VAC60HZ](#) [GCA63A277VAC60HZ](#) [GCA63A600VAC60HZ](#) [1-1672275-3](#) [1-1833005-4](#) [H-16/S1](#) [A711Z](#) [H-8C](#)
[H-8/S11](#) [H-8/S68](#) [ACC530U20](#) [ACC730U30](#) [RF303ZM4-12](#) [DH18DA](#) [1423675-8](#) [AR4-15F13-C01](#) [AR7-41F11](#) [AVR907](#) [15732A200](#)
[B07B032AC1-0329](#) [B329](#) [B490A](#) [1618279-1](#) [BHR124Y](#) [1810DDB-SX](#) [N417](#) [P30C42A12D1-120](#) [2-1617748-6](#) [2-1618375-1](#) [2-1618396-6](#)
[2-1618398-1](#) [JMAPD-5XL](#) [JMGACD-5M](#) [JMGSC-5LW](#) [JMGSCD-5L](#) [PBO-18A1218](#) [PBO-40A3040](#) [K8DSPH1200480VAC](#) [KA-3C-12A](#)