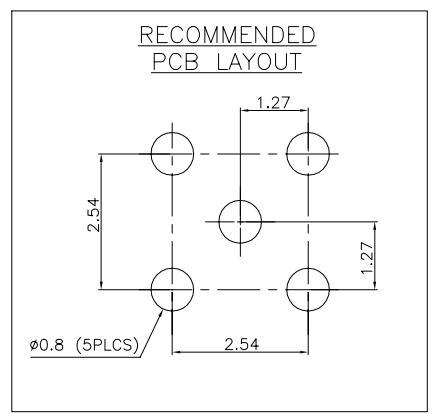
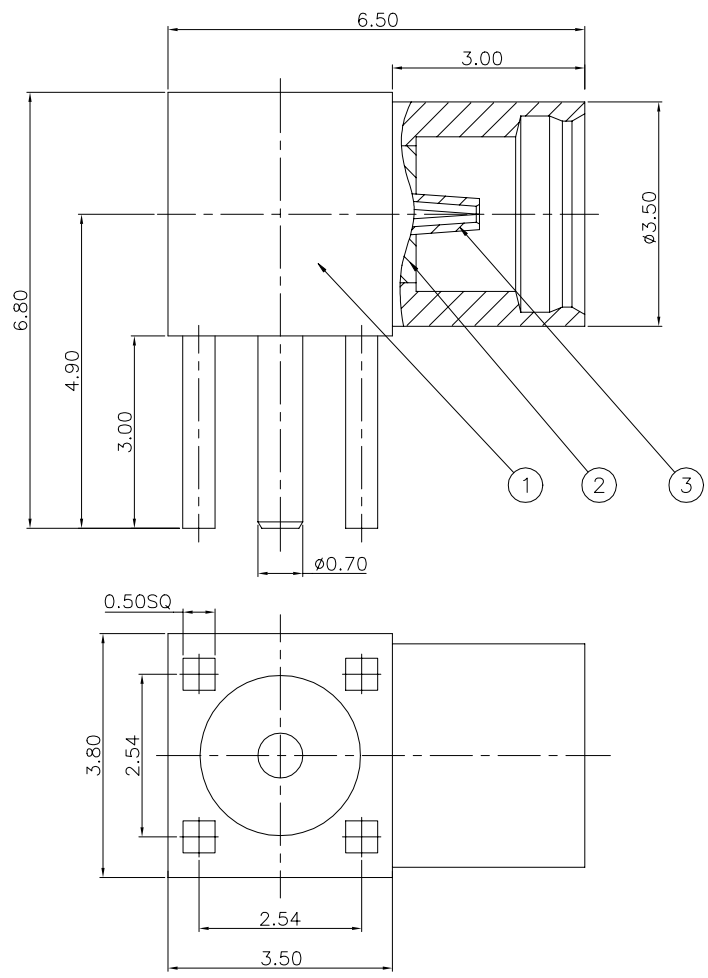


THIS DRAWING IS UNPUBLISHED. RELEASED FOR PUBLICATION NOV .2003.
 © COPYRIGHT 2003 By - ALL RIGHTS RESERVED.

REVISIONS					
P	LTR	DESCRIPTION	DATE	DWN	APVD
E2		REVISED PER ECR-20-009280	30JUN2020	RZ	RS

- NOTES:
- 1 SINGLE PACK IN ACCORDANCE WITH AMP SPEC 107-3275
 - 2 100 TRAY PACK IN ACCORDANCE WITH AMP SPEC 107-3275
 - 3 Au0.05um PLATING OVER Ni1.27um PLATING OVER Cu1um PLATING
 - 4 Au0.8um PLATING OVER Ni2.5um PLATING OVER Cu1um PLATING
 - 5 Au0.08um PLATING OVER Ni2.5um PLATING OVER Cu1um PLATING
 - 6. FOR TECHNICAL DATA REFER TO YOUR LOCAL TE CONNECTIVITY SALES OFFICE
 - 7. ALL DIMENSIONS ARE NOMINAL FOR REFERENCE ONLY UNLESS OTHERWISE STATED



QTY	DESCRIPTION	MATERIAL	DESCRIPTION	ITEM
1	BERYLLIUM COPPER		SOCKET	3
1	BERYLLIUM COPPER		SOCKET	3
2	PTFE		INSULATOR	2
1	BRASS		BODY	1
1	BRASS		BODY	1
6--0	3--0	2--0	1--0	
QUANTITY PER ASSY		PARTS LIST		

ELECTRICAL	MECHANICAL	ENVIRONMENTAL
Impedance (Ohm) <u>50</u>	Interface Dimension CECC 22 000	TEMPERATURE RANGE <u>-55 TO + 125</u>
Frequency Range (GHz) <u>DC to 6GHz</u>	Force to Engage and Disengage (N) Engage: <u>18 MAXI</u> Disengage: <u>6 MINI</u>	THERMAL SHOCK <u>MIL-STD-202, METHOD107, B</u>
Voltage Rating (Peak) <u>@_Seq_Level_170_V_RMS</u>	Center Contact Captivation Axial (N) <u>6.0</u> Radial (In/Oz) <u>N/A</u>	CORROSION <u>MIL-STD-202, METHOD101, B</u>
Insulation Resistance (MIN.) <u>1000_M_ohms</u>	Cable Retention Axial (Lbs) <u>N/A</u>	VIBRATION <u>MIL-STD-202, METHOD204, B</u>
Contact Resistance (Milliohms MAX) Center Contact <u>5.0</u> Outer Contact <u>2.5</u>	Mating cycles <u>500_cycles</u>	MOISTURE RESISTANCE <u>MIL-STD-202, METHOD106</u>
Dielectric Withstand Voltage: <u>500_V_RMS_Max</u>		ROHS <u>COMPLIANT</u>
Insertion Loss : <u>N/A_dB</u>		
VSWR: <u>1.35_MAXI(GHz)</u>		
RF leakage: <u>N/A</u>		
3rd Intermodulation: <u>N/A</u>		

THIS DRAWING IS A CONTROLLED DOCUMENT.		DWN J.SANDWELL 12NOV03
DIMENSIONS: mm		CHK S.PARLOW 12NOV03
TOLERANCES UNLESS OTHERWISE SPECIFIED:		APVD F.WHEELER-KING 12NOV03
0 PLC ± -		PRODUCT SPEC <u>108-2084</u>
1 PLC ± -		APPLICATION SPEC
2 PLC ± 0.15		WEIGHT <u>0</u>
3 PLC ± -		MATERIAL SEE TABLE
4 PLC ± -		FINISH SEE TABLE
ANGLES ± -		

TE Connectivity			
NAME MMCX RIGHT ANGLE PCB MOUNT SOCKET RECEPTACLE 50 OHMS			
SIZE A3	CAGE CODE 00779	DRAWING NO C-1634010	RESTRICTED TO -
CUSTOMER DRAWING		SCALE NTS	SHEET 1 of 1
		REV E2	

X-ON Electronics

Largest Supplier of Electrical and Electronic Components

Click to view similar products for [RF Connectors / Coaxial Connectors](#) category:

Click to view products by [TE Connectivity](#) manufacturer:

Other Similar products are found below :

[8915-1511-000](#) [89674-0827](#) [6001-7071-019](#) [6002-7051-003](#) [6002-7551-202](#) [6059674-1](#) [619550-1](#) [630059-000](#) [M39030/3-01N](#) [6500-7071-046](#) [6769](#) [CX050L2AQ](#) [7002-1541-010](#) [7002-1542-011](#) [7004-1512-000](#) [7009-1511-004](#) [7010-1511-000](#) [7029-1511-060](#) [7101-1541-010](#) [7101-1571-002](#) [7105-1521-002](#) [7145-1521-002](#) [7203-1571-003](#) [7209-1511-011](#) [7210-1511-015](#) [7210-1511-019](#) [73137-5015](#) [73216-2241](#) [73404-2300](#) [7405-1521-005](#) [7405-1521-802](#) [8527](#) [8547](#) [FS11V](#) [877931](#) [9049-9513-000](#) [9074-9513-000](#) [9101-9573-002](#) [910A205F](#) [9130-9573-002](#) [PL11SC-026](#) [PL375-33](#) [PL40-5](#) [PL74C-221](#) [PL75MC-217](#) [PL803-7](#) [1200690078](#) [1-201144-1](#) [R107003010W](#) [R110A172100](#)