

THIS DRAWING IS UNPUBLISHED. RELEASED FOR PUBLICATION AUG ,2006.
 © COPYRIGHT - BY TYCO ELECTRONICS CORPORATION. ALL RIGHTS RESERVED.

LOC	DIST	REVISIONS					
DW		P	LTR	DESCRIPTION	DATE	DWN	APVD
		G		REVISED PER ECR-16-003830	14MAR16	FL	SY

WEIGHT(g)	PCI-E COMPLIANCE	HOUSING MATERIAL	DIM. L	DIM. E	DIM. D	DIM. C	DIM. B	DIM. A	POS.	HOUSING COLOR	MIN. GOLD THICKNESS	PART NUMBER
8.7	GEN II & GEN III	PA9T	2.30	71.35	70	73.15	89	71.65	164	BLACK	15u"	4-1734774-8
5.45										WHITE	G/F	4-1734774-7
3.85				38.35	37	40.15	56	38.65	98	BLACK	15u"	4-1734774-6
2.55										WHITE	G/F	4-1734774-5
8.7				21.35	20	23.15	39	21.65	64	BLACK	15u"	4-1734774-4
										WHITE	G/F	4-1734774-3
5.45				7.35	6	9.15	25	7.65	36	BLACK	15u"	4-1734774-2
										WHITE	G/F	4-1734774-1
3.85				71.35	70	73.15	89	71.65	164	BLACK	15u"	3-1734774-0
										WHITE	G/F	3-1734774-9
2.55				38.35	37	40.15	56	38.65	98	BLACK	15u"	3-1734774-8
										WHITE	G/F	3-1734774-7
8.7			21.35	20	23.15	39	21.65	64	BLACK	15u"	3-1734774-6	
									WHITE	G/F	3-1734774-5	
5.45			7.35	6	9.15	25	7.65	36	BLACK	15u"	3-1734774-4	
									WHITE	G/F	3-1734774-3	
3.85			21.35	20	23.15	39	21.65	64	BLACK	15u"	3-1734774-2	
									WHITE	G/F	3-1734774-1	
2.55			7.35	6	9.15	25	7.65	36	BLACK	15u"	2-1734774-0	
									WHITE	G/F	2-1734774-9	
8.7			71.35	70	73.15	89	71.65	164	BLACK	15u"	2-1734774-8	
									WHITE	G/F	2-1734774-7	
5.45			38.35	37	40.15	56	38.65	98	BLACK	15u"	2-1734774-6	
									WHITE	G/F	2-1734774-5	
3.85	21.35	20	23.15	39	21.65	64	BLACK	15u"	2-1734774-4			
							WHITE	G/F	2-1734774-3			
2.55	7.35	6	9.15	25	7.65	36	BLACK	15u"	2-1734774-2			
							WHITE	G/F	2-1734774-1			
8.7	71.35	70	73.15	89	71.65	164	BLACK	15u"	1-1734774-0			
							WHITE	G/F	1-1734774-9			
5.45	38.35	37	40.15	56	38.65	98	BLACK	15u"	1-1734774-8			
							WHITE	G/F	1-1734774-7			
3.85	21.35	20	23.15	39	21.65	64	BLACK	15u"	1-1734774-6			
							WHITE	G/F	1-1734774-5			
2.55	7.35	6	9.15	25	7.65	36	BLACK	15u"	1-1734774-4			
							WHITE	G/F	1-1734774-3			

WEIGHT(g)	PCI-E COMPLIANCE	HOUSING MATERIAL	DIM. L	DIM. E	DIM. D	DIM. C	DIM. B	DIM. A	POS.	HOUSING COLOR	MIN. GOLD THICKNESS	PART NUMBER
8.8	GEN II	PA46	2.30	71.35	70	73.15	89	71.65	164	BLACK	15u"	9-1734774-7
5.5										WHITE	G/F	9-1734774-6
3.9				38.35	37	40.15	56	38.65	98	BLACK	15u"	9-1734774-5
2.55										WHITE	G/F	9-1734774-4
8.8				21.35	20	23.15	39	21.65	64	BLACK	15u"	9-1734774-3
										WHITE	G/F	9-1734774-2
5.5				7.35	6	9.15	25	7.65	36	BLACK	15u"	9-1734774-1
										WHITE	G/F	9-1734774-0
3.9				71.35	70	73.15	89	71.65	164	BLACK	15u"	8-1734774-9
										WHITE	G/F	8-1734774-8
2.55				38.35	37	40.15	56	38.65	98	BLACK	15u"	8-1734774-7
										WHITE	G/F	8-1734774-6
8.8			21.35	20	23.15	39	21.65	64	BLACK	15u"	8-1734774-5	
									WHITE	G/F	8-1734774-4	
5.5			7.35	6	9.15	25	7.65	36	BLACK	15u"	8-1734774-3	
									WHITE	G/F	8-1734774-2	
3.9			21.35	20	23.15	39	21.65	64	BLACK	15u"	8-1734774-1	
									WHITE	G/F	8-1734774-0	
2.55			7.35	6	9.15	25	7.65	36	BLACK	15u"	7-1734774-9	
									WHITE	G/F	7-1734774-8	
8.8			71.35	70	73.15	89	71.65	164	BLACK	15u"	7-1734774-7	
									WHITE	G/F	7-1734774-6	
5.5			38.35	37	40.15	56	38.65	98	BLACK	15u"	7-1734774-5	
									WHITE	G/F	7-1734774-4	
3.9	21.35	20	23.15	39	21.65	64	BLACK	15u"	7-1734774-3			
							WHITE	G/F	7-1734774-2			
2.55	7.35	6	9.15	25	7.65	36	BLACK	15u"	7-1734774-1			
							WHITE	G/F	7-1734774-0			
8.8	71.35	70	73.15	89	71.65	164	BLACK	15u"	6-1734774-9			
							WHITE	G/F	6-1734774-8			
5.5	38.35	37	40.15	56	38.65	98	BLACK	15u"	6-1734774-7			
							WHITE	G/F	6-1734774-6			
3.9	21.35	20	23.15	39	21.65	64	BLACK	15u"	6-1734774-5			
							WHITE	G/F	6-1734774-4			
2.55	7.35	6	9.15	25	7.65	36	BLACK	15u"	6-1734774-3			
							WHITE	G/F	6-1734774-2			
8.8	71.35	70	73.15	89	71.65	164	BLACK	15u"	6-1734774-1			
							WHITE	G/F	6-1734774-0			
5.5	38.35	37	40.15	56	38.65	98	BLACK	15u"	5-1734774-9			
							WHITE	G/F	5-1734774-8			
3.9	21.35	20	23.15	39	21.65	64	BLACK	15u"	5-1734774-7			
							WHITE	G/F	5-1734774-6			
2.55	7.35	6	9.15	25	7.65	36	BLACK	15u"	5-1734774-5			
							WHITE	G/F	5-1734774-4			

D

C

B

A


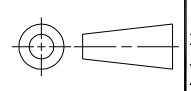
D

C

B

A

THIS DRAWING IS A CONTROLLED DOCUMENT.

DIMENSIONS: MM	TOLERANCES UNLESS OTHERWISE SPECIFIED:	DWN B. HSING 15JUL2009	 TE Connectivity	
	0 PLC ± - 1 PLC ± 0.3 2 PLC ± 0.2 3 PLC ± 0.15 4 PLC ± - ANGLES ± 3'	CHK S. CHIEN 15JUL2009		
		APVD W. KODAMA 15JUL2009		NAME
		PRODUCT SPEC 108-57871		PCI EXPRESS CARD EDGE CONNECTOR VERTICAL, DIP TYPE, 3GIO
MATERIAL	FINISH	APPLICATION SPEC	SIZE CAGE CODE DRAWING NO RESTRICTED TO	
		WEIGHT	A3 00779 C=1734774	
		CUSTOMER DRAWING	SCALE SHEET 1 OF 5 REV G	

THIS DRAWING IS UNPUBLISHED. RELEASED FOR PUBLICATION AUG ,2006.
 © COPYRIGHT BY TYCO ELECTRONICS CORPORATION. ALL RIGHTS RESERVED.

LOC		DIST		REVISIONS				
P	LTR	DESCRIPTION			DATE	DWN	APVD	
		SEE SHEET 1						

- NOTES:
- MATERIAL:
 - HOUSING: 1.PA46 WITH 40% G.F, UL94 V-0, COLOR: SEE TABLE.
2.PA9T WITH 30% GF, UL94 V-0, COLOR: SEE TABLE.
 - CONTACT: PHOSPHOR BRONZE
 - FINISH:

CONTACT: (SEE TABLE) GOLD PLATING ON CONTACT AREA.
2.54um [100u"] MIN. MATTE-TIN PALTING ON SOLDER TAIL AREA.
1.27um [50u"] MIN. NICKEL UNDERPLATING OVERALL.
 - CONNECTOR HAS MET THE REQUIREMENTS PER PCI EXPRESS GEN 2 TECHNICAL DOCUMENT.
 - WEIGHT:

36 POS.: 2.55 GRAMS; 64 POS.: 3.90 GRAMS
98 POS.: 5.50 GRAMS; 164 POS.: 8.80 GRAMS
 - WAVE SOLDER CAPABLE TO 265°C PER TEST SPEC. 109-202 CONDITION B.
 ⚠️ REFLOW SOLDER CAPABLE TO 260°C PER TEST SPEC. 109-201 CONDITION B.
 (REFLOW SOLDERING PLEASE USE PN : 1734774-1 TO 4-1734774-8)



THIS DRAWING IS A CONTROLLED DOCUMENT.		DWN	TE Connectivity		
DIMENSIONS: MM		CHK	NAME		
TOLERANCES UNLESS OTHERWISE SPECIFIED:		APVD	PCI EXPRESS CARD EDGE CONNECTOR VERTICAL, DIP TYPE, 3GIO		
0 PLC ± -		PRODUCT SPEC	SIZE	CAGE CODE	DRAWING NO
1 PLC ± 0.3		APPLICATION SPEC	A3	00779	1734774
2 PLC ± 0.2			RESTRICTED TO		
3 PLC ± 0.15					
4 PLC ± -					
ANGLES ± 3'					
MATERIAL	FINISH	WEIGHT	CUSTOMER DRAWING		
SEE NOTE	SEE NOTE	SEE NOTE 4	SCALE SHEET 2 OF 5 REV G		

4

3

2

1

THIS DRAWING IS UNPUBLISHED. RELEASED FOR PUBLICATION AUG ,2006.
 © COPYRIGHT BY TYCO ELECTRONICS CORPORATION. ALL RIGHTS RESERVED.

LOC	DIST	REVISIONS			
P	LTR	DESCRIPTION	DATE	DWN	APVD
		SEE SHEET 1.			



PN X-1 TO 4-X-8
(PA9T TYPE)

36 POS.



PN 5-X-0 TO 9-X-7
(PA46 TYPE)



64 POS.



98 POS.



164 POS.



THIS DRAWING IS A CONTROLLED DOCUMENT.		DWN	TE Connectivity NAME PCI EXPRESS CARD EDGE CONNECTOR VERTICAL, DIP TYPE, 3GIO			
DIMENSIONS: MM		CHK				
TOLERANCES UNLESS OTHERWISE SPECIFIED: 0 PLC ± - 1 PLC ± 0.25 2 PLC ± 0.25 3 PLC ± 0.25 4 PLC ± - ANGLES ± -		APVD				
		PRODUCT SPEC				
MATERIAL		APPLICATION SPEC	SIZE	CAGE CODE	DRAWING NO	RESTRICTED TO
FINISH		WEIGHT	A3	00779	C-1734774	
CUSTOMER DRAWING			SCALE	SHEET	REV	
				3 OF 5	G	

THIS DRAWING IS UNPUBLISHED. RELEASED FOR PUBLICATION AUG ,2006.
 © COPYRIGHT BY TYCO ELECTRONICS CORPORATION. ALL RIGHTS RESERVED.

LOC	DIST	REVISIONS			
P	LTR	DESCRIPTION	DATE	DWN	APVD
DW	/	SEE SHEET 1.			

ADD-IN CARD EDGE-FINGER DIMENSIONS

NOTES:
 CHAMFER EDGE MUST BE FREE OF CUTTING BURRS



RECOMMENDED PCB LAYOUT

TOLERANCE: ±0.05
 FOR DIM.L=3.1mm PCB THICKNESS: 2.4mm
 FOR DIM.L=2.3mm PCB THICKNESS: 1.6mm

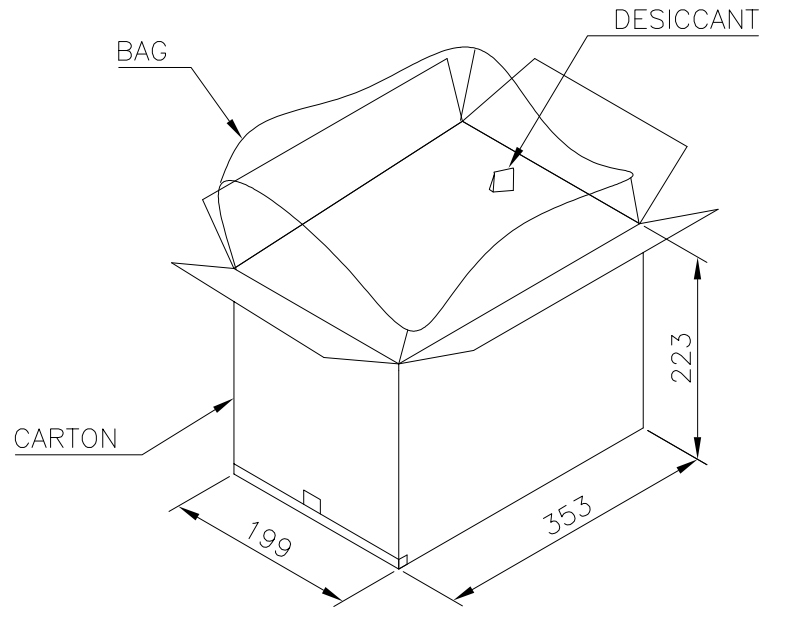
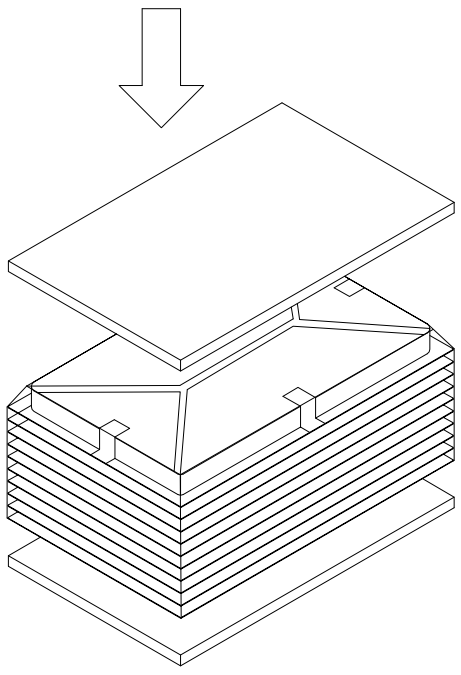


POS.	DIM. F	DIM. G	DIM. H	"K"
164	70.0	73.15	72.15	A1, B17, B31, B48, B81
98	37.0	40.15	39.15	A1, B17, B31, B48
64	20.0	23.15	22.15	A1, B17, B31
36	6.0	9.15	8.15	A1, B17

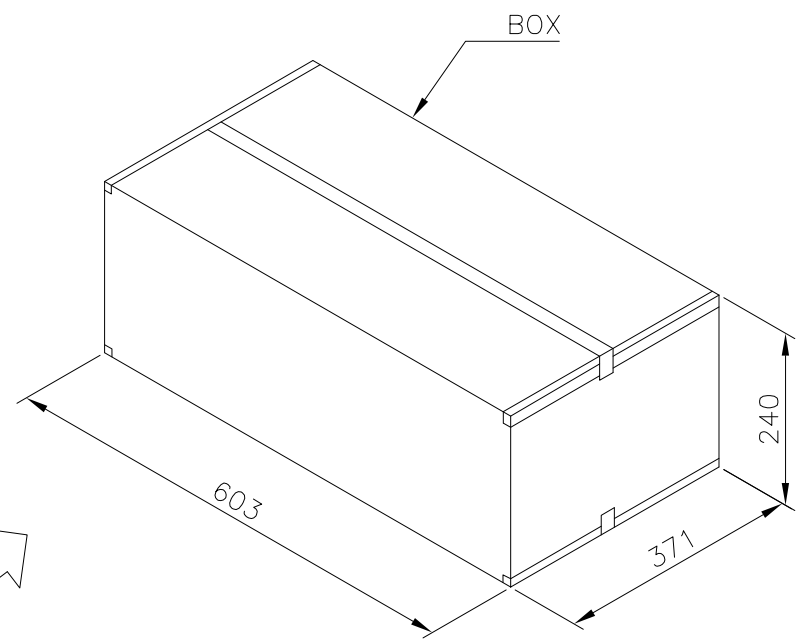
THIS DRAWING IS A CONTROLLED DOCUMENT.		DWN			
DIMENSIONS: MM		CHK			
TOLERANCES UNLESS OTHERWISE SPECIFIED:		APVD		NAME	
0 PLC ± - 1 PLC ± - 2 PLC ± - 3 PLC ± - 4 PLC ± - ANGLES ± -		PRODUCT SPEC		PCI EXPRESS CARD EDGE CONNECTOR VERTICAL, DIP TYPE, 3GIO	
MATERIAL		FINISH		RESTRICTED TO	
		WEIGHT		SIZE CAGE CODE DRAWING NO	
		CUSTOMER DRAWING		A3 00779 C=1734774	
		SCALE		SHEET 4 OF 5 REV G	

THIS DRAWING IS UNPUBLISHED. RELEASED FOR PUBLICATION AUG ,2006.
 © COPYRIGHT BY TYCO ELECTRONICS CORPORATION. ALL RIGHTS RESERVED.

LOC	DIST	REVISIONS					
DW		P	LTR	DESCRIPTION	DATE	DWN	APVD
				SEE SHEET 1.			



- NOTES :
- MATERIAL :
 TRAY : PVC, COLOR: TRANSPARENT.
 CARTON: CORRUGATED FIBER
 BOX: CORRUGATED FIBER
 - DIMENSION :
 TRAY: SEE DRAWING
 CARTON: SEE DRAWING
 BOX : SEE DRAWING
 - QUANTITY : SEE TABLE
 - WEIGHT : SEE TABLE



10.2 Kg	8.2 Kg	30	10	3	900	164
9.0 Kg	7.0 Kg	40	10	3	1200	98
8.5 Kg	6.5 Kg	60	10	3	1800	64
7.6 Kg	5.6 Kg	70	10	3	2100	36
GROSS WEIGHT	NET WEIGHT	PCS/ TRAY	TRAY/ CARTON	CARTON/ BOX	PCS/ BOX	POS.

THIS DRAWING IS A CONTROLLED DOCUMENT.		DWN		TE Connectivity	
DIMENSIONS: MM		CHK			
TOLERANCES UNLESS OTHERWISE SPECIFIED:		APVD		NAME	
0 PLC ± -		PRODUCT SPEC		PCI EXPRESS CARD EDGE CONNECTOR	
1 PLC ± -		APPLICATION SPEC		VERTICAL, DIP TYPE, 3GIO	
2 PLC ± -		WEIGHT		SIZE	CAGE CODE
3 PLC ± -		CUSTOMER DRAWING		A3	00779
4 PLC ± -		SCALE		DRAWING NO	RESTRICTED TO
ANGLES ± -		SHEET		C=1734774	
MATERIAL		FINISH		REV G	
		5 of 5			

X-ON Electronics

Largest Supplier of Electrical and Electronic Components

Click to view similar products for [PCI Express/PCI Connectors](#) category:

Click to view products by [TE Connectivity](#) manufacturer:

Other Similar products are found below :

[UEX220-6U](#) [10039755-10110TLF](#) [1-1871239-2](#) [2170560-2](#) [10125756-980000LF](#) [EB220-3U](#) [10061913-120PLF](#) [GPCP146400111HR](#)
[205058-1001](#) [GPCP442628110HR](#) [GPCP446200120HR](#) [GPCP245400111HR](#) [10082378-10000TLF](#) [87715-9256](#) [MDT580M03001](#)
[0877159107](#) [MDT580M01001](#) [10018783-11000MLF](#) [10018783-11101TLF](#) [10108777-10000ALF](#) [10141523-111T0LF](#) [10145445-10003MLF](#)
[PSASF2130311TR](#) [PSASF3130411TR](#) [PSASF3130131TR](#) [7-1734774-7](#) [3-1761465-1](#) [10018784-10111TLF](#) [10039755-10111TLF](#) [10039755-](#)
[10112TLF](#) [10018783-10211TLF](#) [10018784-10211TLF](#) [10018784-10212TLF](#) [1761465-2](#) [1871058-1](#) [5-1761465-4](#) [10018783-10200MLF](#)
[10018783-10213TLF](#) [10018784-10210TLF](#) [10018784-11113TLF](#) [10025026-10001TLF](#) [5145154-8](#) [1871058-4](#) [2041119-2](#) [10018783-](#)
[10212TLF](#) [10018784-10102TLF](#) [10018783-11200TLF](#) [SM3ZS067U215-NUT1-R2500](#) [10123371-001TRLF](#) [10018784-10110TLF](#)