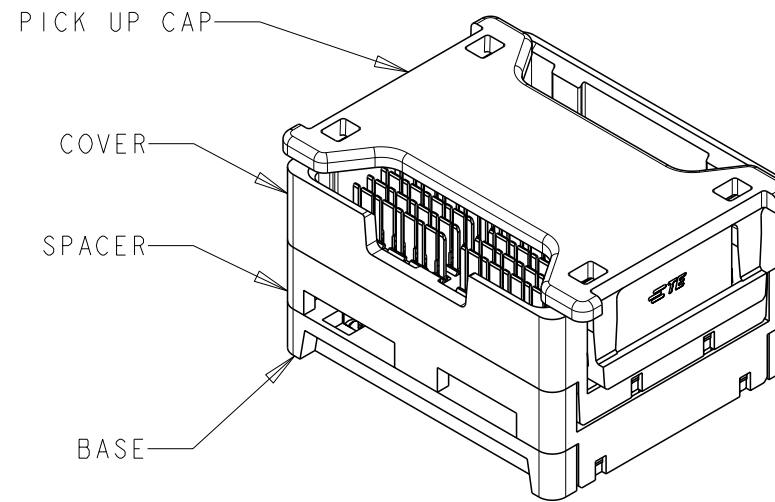
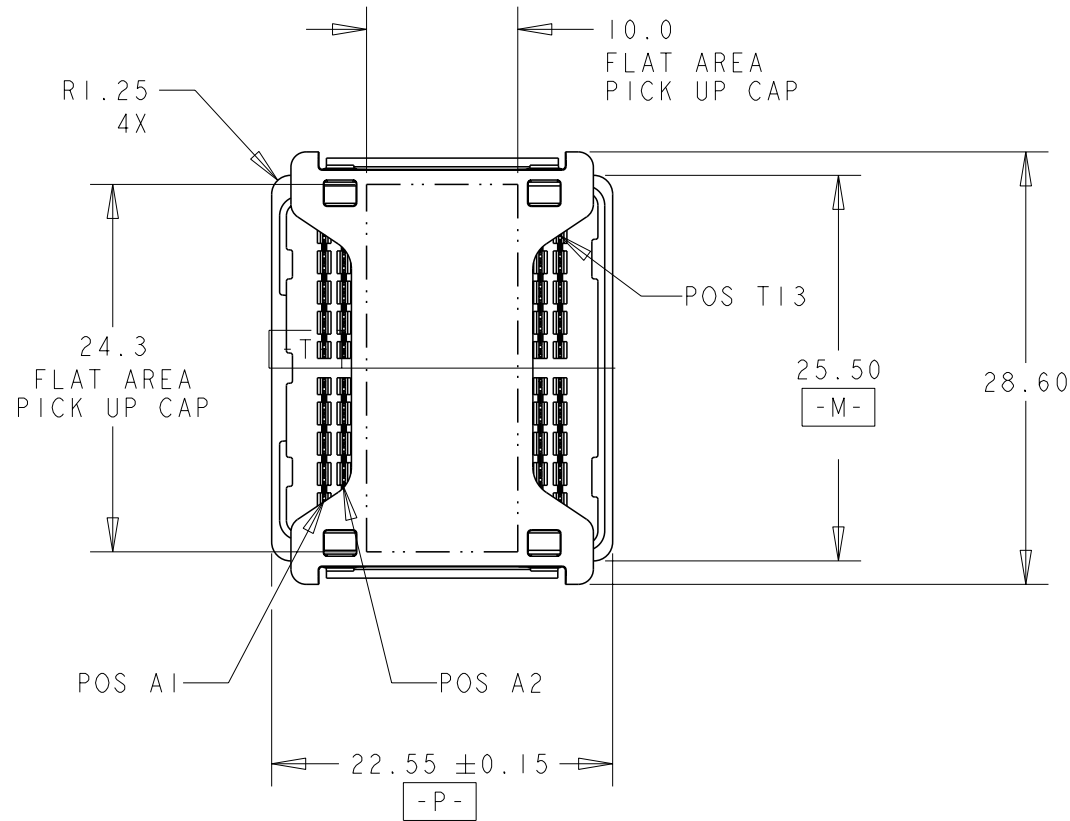


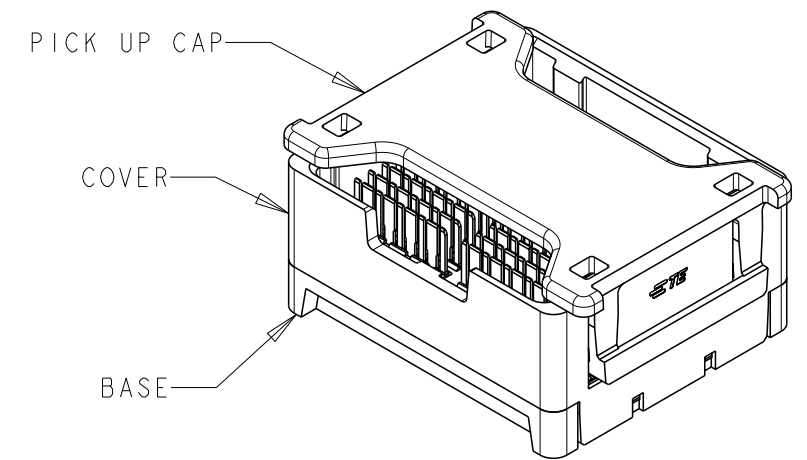
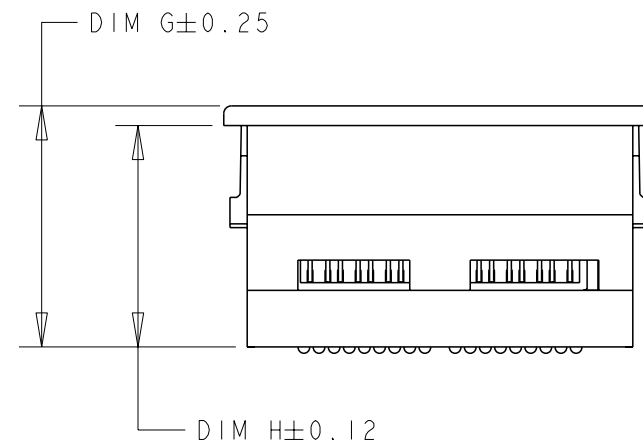
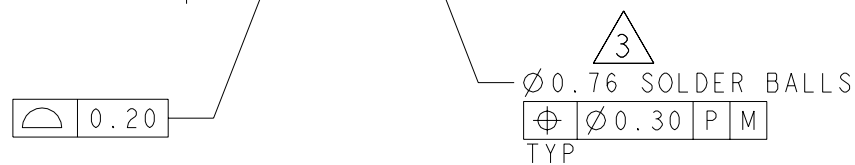
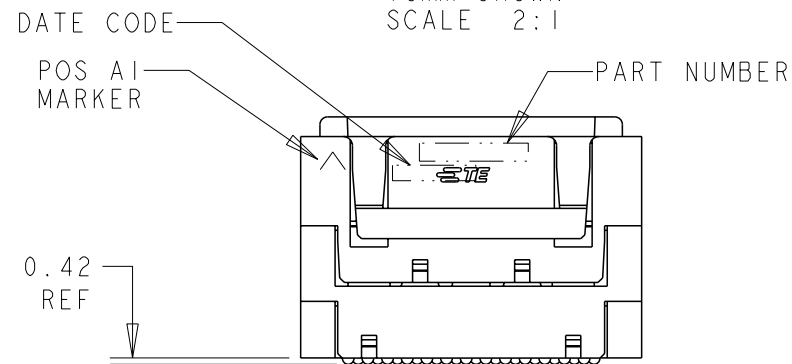
| P | LTR | DESCRIPTION               | DATE      | DWN | APVD |
|---|-----|---------------------------|-----------|-----|------|
|   | A3  | REVISED PER ECO-20-017117 | 24APR2021 | AP  | RW   |
|   |     |                           |           |     |      |
|   |     |                           |           |     |      |



**ISOMETRIC VIEW**  
TYPICAL CONFIGURATION FOR  
15mm & 20mm ASSEMBLY  
SCALE 2:1

**TYPICAL ASSEMBLY**

15mm SHOWN  
SCALE 2:1



**ISOMETRIC VIEW**  
TYPICAL CONFIGURATION FOR  
10mm, 12mm & 13mm ASSEMBLY  
SCALE 2:1

THIS DRAWING IS A CONTROLLED DOCUMENT.

|                   |  |
|-------------------|--|
| DIMENSIONS:<br>mm | TOLERANCES UNLESS OTHERWISE SPECIFIED: |
|                   | 0 PLC ±-                               |
|                   | 1 PLC ±0.3                             |
|                   | 2 PLC ±0.10                            |
|                   | 3 PLC ±0.050                           |
|                   | 4 PLC ±-                               |
|                   | ANGLES ±2°                             |
| MATERIAL          | FINISH                                 |
|                   |  |

|                  |             |         |
|------------------|-------------|---------|
| DWN              | P BRANDBERG | 18JAN05 |
| CHK              | D WERTZ     | 20JAN05 |
| APVD             | D WERTZ     | 20JAN05 |
| PRODUCT SPEC     | 108-2143    |         |
| APPLICATION SPEC | 114-13101   |         |
| WEIGHT           | -           |         |
| CUSTOMER DRAWING |             |         |

|                 |           |   |               |
|-----------------|-----------|---|---------------|
| TE Connectivity |           | NAME  |               |
|                 |           | STEP-Z, PLUG ASSEMBLY,<br>104 SIGNAL POSITION |               |
| SIZE            | CAGE CODE | DRAWING NO                                    | RESTRICTED TO |
| A3              | 00779     | C-1761612                                     |               |
| SCALE 5:2       |           | SHEET 1 OF 3                                  | REV A3        |

REVISIONS

| P | LTR | DESCRIPTION | DATE | DWN | APVD |
|---|-----|-------------|------|-----|------|
| - |     | SEE SHEET 1 | -    | -   | -    |
|   |     |             |      |     |      |
|   |     |             |      |     |      |

1 MATERIAL:  
 BASE, SPACER, COVER: THERMOPLASTIC  
 PICK UP CAP: THERMOPLASTIC  
 CONTACT: COPPER ALLOY  
 SOLDER BALL: Sn/Pb FOR P/N 1761614-1 THRU 5-1761614-0  
 Sn/Ag FOR P/N 5-1761614-1 THRU 9-1761614-9

2 FINISH:  
 CONTACT: 0.00076 MIN GOLD OVER 0.00127 MIN NICKEL.  
 (30µ" MIN GOLD OVER 50µ" MIN NICKEL)


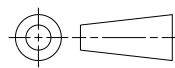
3 SOLDER BALLS WILL NOT BE PERFECT  
 SPHERICAL SHAPE DUE TO REFLOW ATTACHMENT.

4 CONTACTS IN ROWS A,C,E,G,J,K,M,P,R, AND T  
 ARE SINGLE BEAM CONTACTS,  
 TYPICALLY USED AS GROUND PINS.  
 (NOTE: CONTACTS IN ROW J & K ARE TIED  
 TOGETHER [COMMONED]).

5 CONTACTS IN ROWS B,D,F,H,L,N,Q, AND S  
 ARE DUAL BEAM CONTACTS,  
 TYPICALLY USED AS SIGNAL PINS.

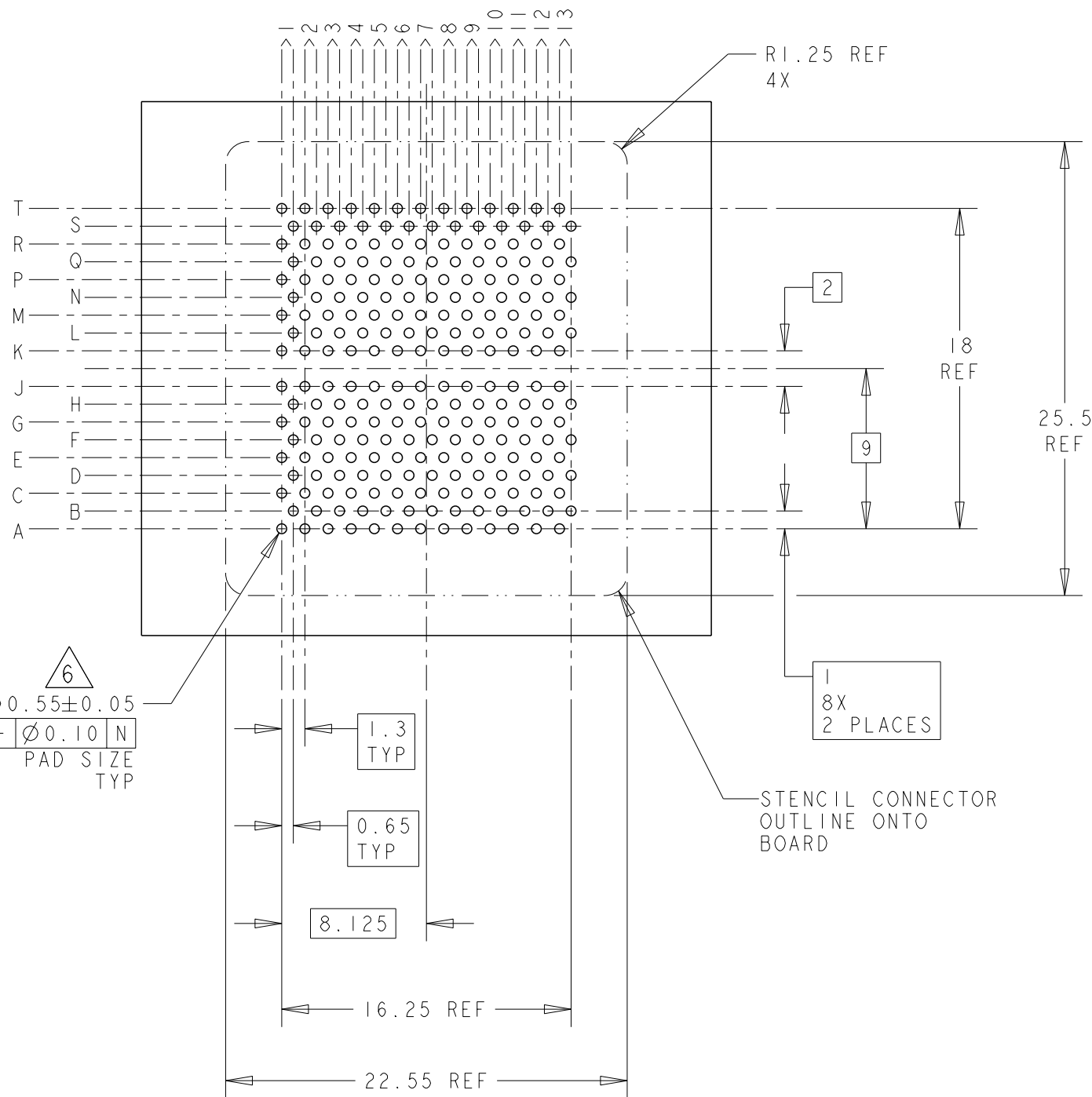
6 SPECIFIED POSITIONAL TOLERANCE DEFINES PAD TO PAD  
 LOCATION WITHIN LAND PATTERN. POSITIONAL TOLERANCE  
 OF LAND PATTERN TO FUDICIAL MARKS OR PCB DATUMS  
 SHALL BE DEFINED BY CUSTOMER. FOR RECOMMENDED  
 PRODUCT APPLICATION AND PCB DESIGN DETAILS, SEE  
 APPLICATION SPEC 114-13101.

|          |       |       |            |             |                        |
|----------|-------|-------|------------|-------------|------------------------|
|          |       |       |            |             |                        |
|          |       |       |            |             |                        |
|          | 19.65 | 20.95 | -          | 20mm Sn/Ag  | 7-1761612-0            |
|          | 14.65 | 15.95 | -          | 15mm Sn/Ag  | 6-1761612-5            |
|          | 12.65 | 13.95 | -          | 13mm Sn/Ag  | 6-1761612-3            |
|          | 11.65 | 12.95 | -          | 12mm Sn/Ag  | 6-1761612-2            |
|          | 9.65  | 10.95 | -          | 10mm Sn/Ag  | 6-1761612-0            |
|          |       |       |            |             |                        |
|          |       |       |            |             |                        |
| OBSOLETE | 19.65 | 20.95 | -          | 20mm Sn/Pb  | <del>2-1761612-0</del> |
|          | 14.65 | 15.95 | -          | 15mm Sn/Pb  | <del>1-1761612-5</del> |
|          | 12.65 | 13.95 | -          | 13mm Sn/Pb  | <del>1-1761612-3</del> |
|          | 11.65 | 12.95 | -          | 12mm Sn/Pb  | <del>1-1761612-2</del> |
|          | 9.65  | 10.95 | -          | 10mm Sn/Pb  | <del>1-1761612-0</del> |
|          | DIM H | DIM G | LOAD STYLE | DESCRIPTION | PART NUMBER            |

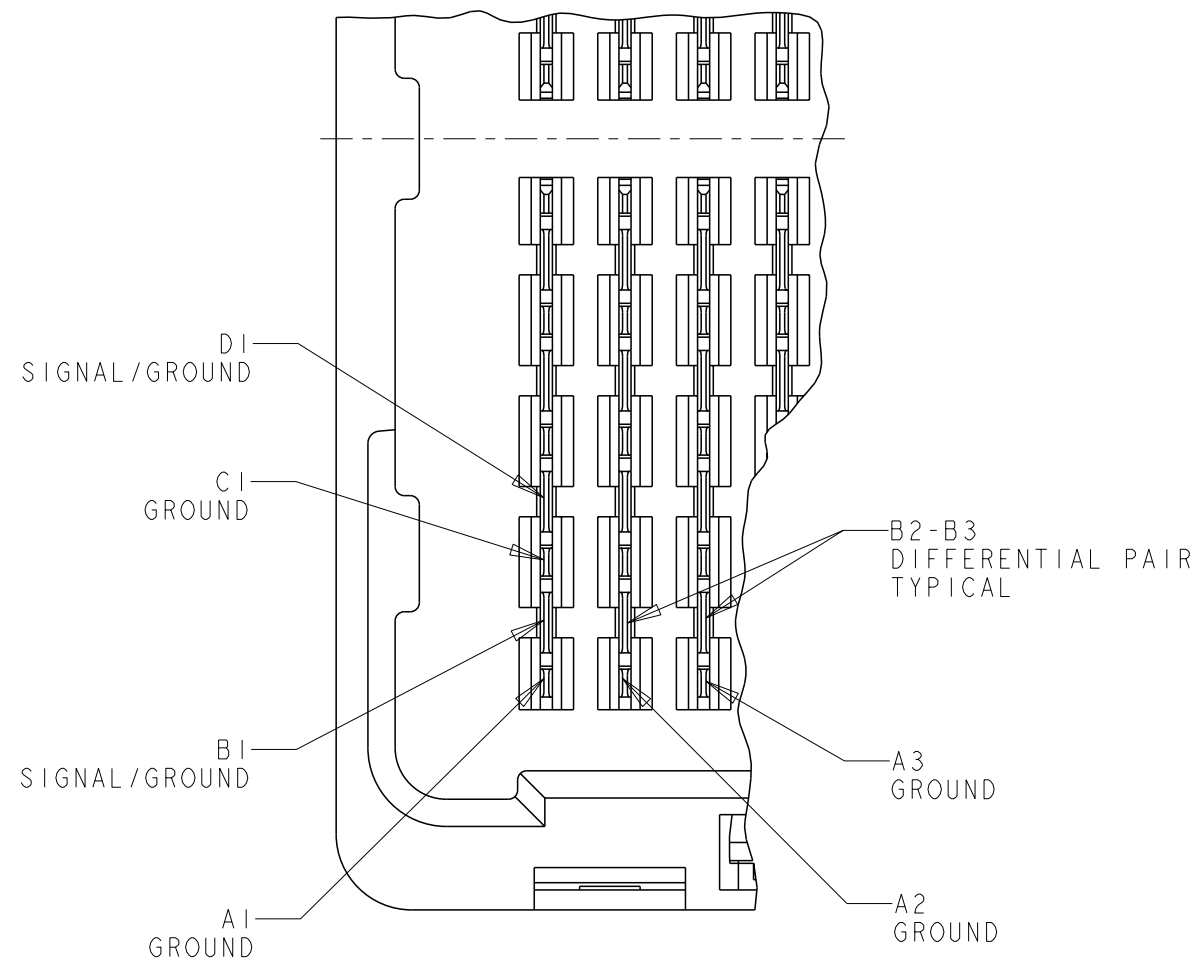
|   |  |                               |   |                    |                       |
|---|--|-------------------------------|---|--------------------|-----------------------|
| THIS DRAWING IS A CONTROLLED DOCUMENT.  |  | DWN<br>P BRANDBERG<br>18JAN05 |  TE Connectivity |                    |                       |
| DIMENSIONS:<br>mm   |  | CHK<br>D WERTZ<br>20JAN05     |   |                    |                       |
| TOLERANCES UNLESS OTHERWISE SPECIFIED:  |  | APVD<br>D WERTZ<br>20JAN05    | NAME<br>STEP-Z, PLUG ASSEMBLY,<br>104 SIGNAL POSITION   |                    |                       |
|  |  | PRODUCT SPEC<br>108-2143      | -   |                    |                       |
| 0 PLC ±-<br>1 PLC ±0.3<br>2 PLC ±0.10<br>3 PLC ±0.050<br>4 PLC ±-<br>ANGLES ±2°       |  | APPLICATION SPEC<br>114-13101 | SIZE<br>A3  | CAGE CODE<br>00779 | DRAWING NO<br>1761612 |
| MATERIAL  |  | WEIGHT<br>-                   | RESTRICTED TO   |                    |                       |
| FINISH  |  | CUSTOMER DRAWING              | SCALE<br>2:1  | SHEET<br>2 OF 3    | REV<br>A3             |

printed on 24 Apr 2021 19:24 from FRO19828

| REVISIONS |     |             |      |     |      |
|-----------|-----|-------------|------|-----|------|
| P         | LTR | DESCRIPTION | DATE | DWN | APVD |
| -         | -   | SEE SHEET 1 | -    | -   | -    |
|           |     |             |      |     |      |
|           |     |             |      |     |      |
|           |     |             |      |     |      |



4 5 **BOARD PATTERN**  
SCALE 3:1



**PLUG INTERFACE**  
SCALE 8:1

|  |        |                                 |   |                         |               |       |       |       |        |       |    |        |     |                          |            |  |  |
|--|--------|---------------------------------|---|-------------------------|---------------|-------|-------|-------|--------|-------|----|--------|-----|--------------------------|------------|--|--|
| THIS DRAWING IS A CONTROLLED DOCUMENT.   |        | DWN<br>P BRANDBERG<br>18 JAN 05 | <b>TE Connectivity</b>                                |                         |               |       |       |       |        |       |    |        |     |                          |            |  |  |
| DIMENSIONS:<br>mm  |        | CHK<br>D WERTZ<br>20 JAN 05     |   |                         |               |       |       |       |        |       |    |        |     |                          |            |  |  |
| TOLERANCES UNLESS OTHERWISE SPECIFIED:   |        | APVD<br>D WERTZ<br>20 JAN 05    | NAME<br>STEP-Z, PLUG ASSEMBLY,<br>104 SIGNAL POSITION |                         |               |       |       |       |        |       |    |        |     |                          |            |  |  |
| <table border="0"> <tr><td>0 PLC</td><td>±-</td></tr> <tr><td>1 PLC</td><td>±0.3</td></tr> <tr><td>2 PLC</td><td>±0.10</td></tr> <tr><td>3 PLC</td><td>±0.050</td></tr> <tr><td>4 PLC</td><td>±-</td></tr> <tr><td>ANGLES</td><td>±2°</td></tr> </table> |        | 0 PLC                           | ±-  | 1 PLC                   | ±0.3          | 2 PLC | ±0.10 | 3 PLC | ±0.050 | 4 PLC | ±- | ANGLES | ±2° | PRODUCT SPEC<br>108-2143 | SIZE<br>A3 |  |  |
| 0 PLC  | ±-     |                                 |   |                         |               |       |       |       |        |       |    |        |     |                          |            |  |  |
| 1 PLC  | ±0.3   |                                 |   |                         |               |       |       |       |        |       |    |        |     |                          |            |  |  |
| 2 PLC  | ±0.10  |                                 |   |                         |               |       |       |       |        |       |    |        |     |                          |            |  |  |
| 3 PLC  | ±0.050 |                                 |   |                         |               |       |       |       |        |       |    |        |     |                          |            |  |  |
| 4 PLC  | ±-     |                                 |   |                         |               |       |       |       |        |       |    |        |     |                          |            |  |  |
| ANGLES   | ±2°    |                                 |   |                         |               |       |       |       |        |       |    |        |     |                          |            |  |  |
| MATERIAL   |        | APPLICATION SPEC<br>114-13101   | CAGE CODE<br>300779                                   | DRAWING NO<br>C-1761612 | RESTRICTED TO |       |       |       |        |       |    |        |     |                          |            |  |  |
| FINISH   |        | WEIGHT<br>-                     | SCALE 2:1 SHEET 3 OF 3 REV A3                         |                         |               |       |       |       |        |       |    |        |     |                          |            |  |  |
|  |        | CUSTOMER DRAWING                |   |                         |               |       |       |       |        |       |    |        |     |                          |            |  |  |

Printed on 24 Apr 2021 19:24 from FRO19828

## X-ON Electronics

Largest Supplier of Electrical and Electronic Components

*Click to view similar products for [Board to Board & Mezzanine Connectors](#) category:*

*Click to view products by [TE Connectivity](#) manufacturer:*

Other Similar products are found below :

[589158040000018](#) [MDF7C-18P-2.54DSA\(55\)](#) [FCN-230C068-11](#) [FCN-268F012-G/BD](#) [FCN-268F036-G/BD](#) [FCN-268M012-G/0D](#) [FCN-268M024-G/1D](#) [FCN-723J004/1](#) [MIS-048-01-F-D-DP-K](#) [832-10-034-10-001000](#) [FX4C-80S-1.27DSA](#) [FCN-214Q030-G/0](#) [FCN-234P048-G/0](#) [FCN-235D050-G/C](#) [210-93-314-41-105000](#) [2-22603-0](#) [MDF7-40DP-2.54DSA\(55\)](#) [AXG720047](#) [5031084030](#) [MIT-114-03-F-D-K](#) [55323-1519](#) [DF33-2P-3.3DSA\(24\)](#) [YFT-20-05-H-03-SB-K](#) [503308-3040](#) [026-6203-PDB](#) [027-6203-PDB](#) [069159702701000](#) [10123981-102LF](#) [101A10019X](#) [55650-0588-C](#) [68682-310LF](#) [68684-306](#) [75140-7012](#) [87471-650](#) [194261-1](#) [FCN-268F024-G0D](#) [10124054-515LF](#) [68685-603](#) [8-1616154-3](#) [MIS-019-01-F-D](#) [541371078](#) [IL-WX-10PB-HF-B-E1000E](#) [FCN-268M024-G/3D](#) [20021832-06016C1LF](#) [KX15-20KLDL-E1000E](#) [MDF7-16DP-2.54DSA\(55\)](#) [AXE810124](#) [FCN-214J100-G/0](#) [FCN-230C068-E/S](#) [AXE812124](#)