

4

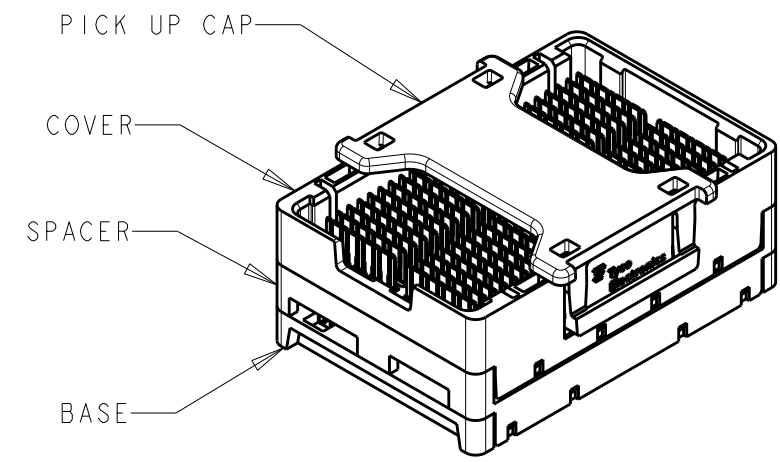
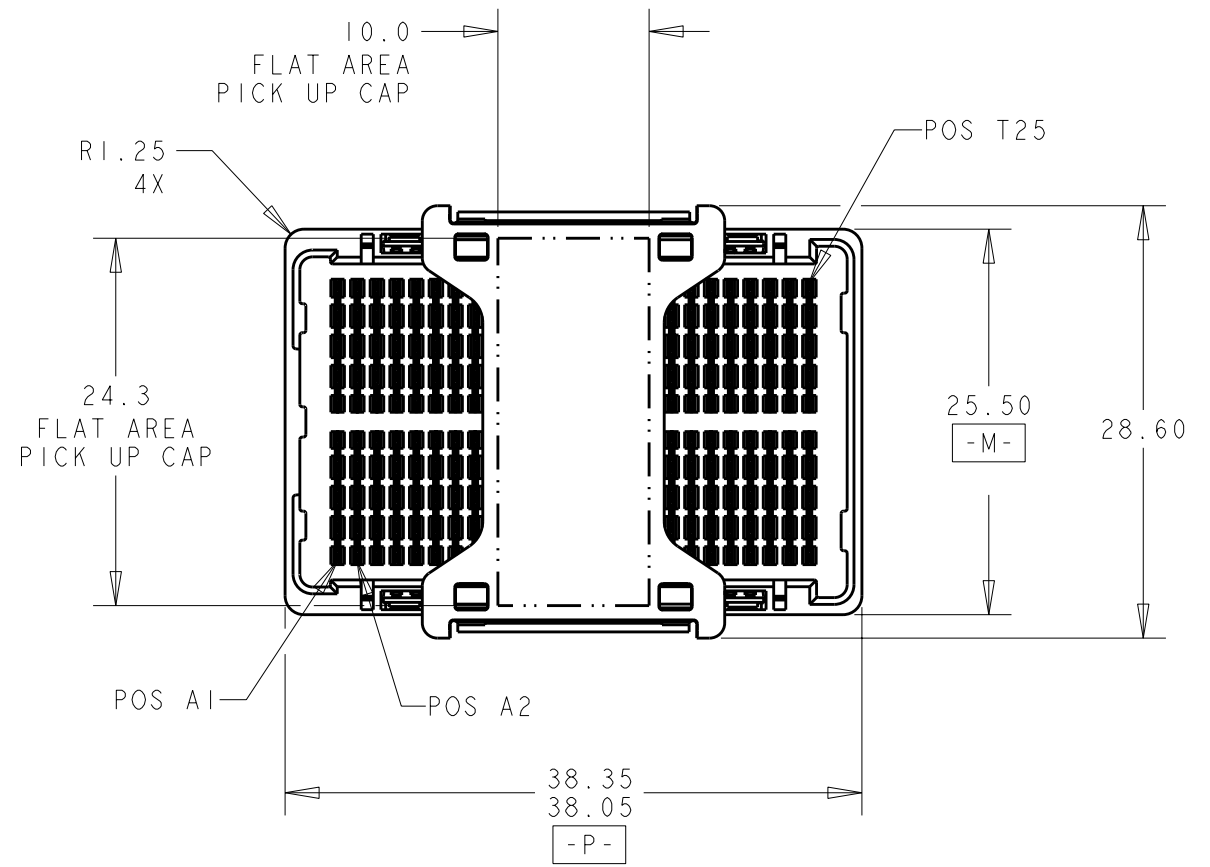
3

2

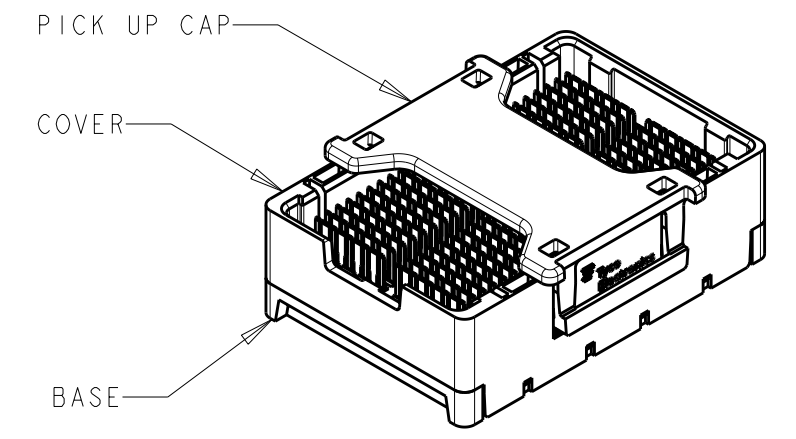
1

THIS DRAWING IS UNPUBLISHED. RELEASED FOR PUBLICATION 20
 © COPYRIGHT 20 ALL RIGHTS RESERVED.

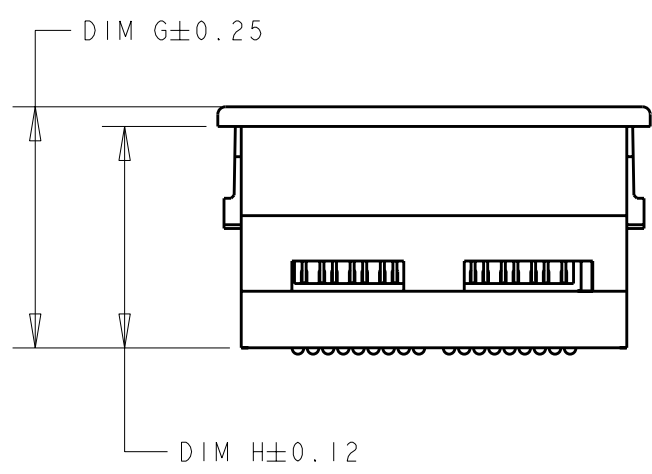
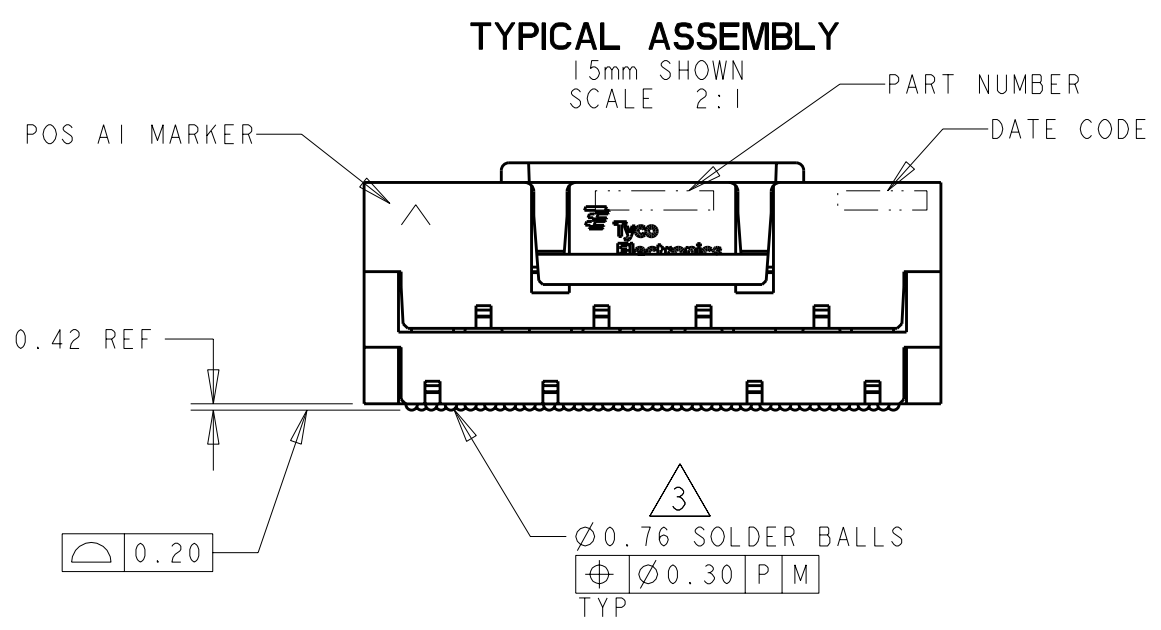
LOC	DIST	REVISIONS			
P	LTR	DESCRIPTION	DATE	DWN	APVD
GP	00	A6	REVISED PER ECO-11-005139	13MAY2011	RK HMR



ISOMETRIC VIEW
 TYPICAL CONFIGURATION FOR
 15mm, 20mm & 25mm ASSEMBLY
 SCALE 3:2



ISOMETRIC VIEW
 TYPICAL CONFIGURATION FOR
 10mm, 12mm, & 13mm ASSEMBLY
 SCALE 3:2



THIS DRAWING IS A CONTROLLED DOCUMENT.		DWN P BRANDBERG 17DEC04	TE Connectivity	
DIMENSIONS: mm		CHK D WERTZ 05JAN05		
TOLERANCES UNLESS OTHERWISE SPECIFIED:		APVD D WERTZ 05JAN05	NAME STEP-Z, PLUG ASSEMBLY, 200 SIGNAL POSITION	
0 PLC ±- 1 PLC ±0.3 2 PLC ±0.10 3 PLC ±0.050 4 PLC ±- ANGLES ±2°		PRODUCT SPEC 108-2143	SIZE A3	
MATERIAL 1		APPLICATION SPEC 114-13101	CAGE CODE 00779	DRAWING NO C-1761614
FINISH 2		WEIGHT -	RESTRICTED TO -	
		CUSTOMER DRAWING	SCALE -	SHEET 1 OF 5
				REV A6

THIS DRAWING IS UNPUBLISHED.

RELEASED FOR PUBLICATION

20

© COPYRIGHT 20

ALL RIGHTS RESERVED.

LOC GP DIST 00

REVISIONS

P	LTR	DESCRIPTION	DATE	DWN	APVD
-		SEE SHEET 1	-	-	-

1 MATERIAL:
 BASE, SPACER, COVER: THERMOPLASTIC
 PICK UP CAP: THERMOPLASTIC
 CONTACT: COPPER ALLOY
 SOLDER BALL: Sn/Pb FOR P/N 1761614-1 THRU 5-1761614-0
 Sn/Ag FOR P/N 5-1761614-1 THRU 9-1761614-9

2 FINISH:
 CONTACT: 0.00076 MIN GOLD OVER 0.00127 MIN NICKEL.
 (30µ" MIN GOLD OVER 50µ" MIN NICKEL)

3 SOLDER BALLS WILL NOT BE PERFECT
 SPHERICAL SHAPE DUE TO REFLOW ATTACHMENT.

4 CONTACTS IN ROWS A,C,E,G,J,K,M,P,R, AND T
 ARE SINGLE BEAM CONTACTS,
 TYPICALLY USED AS GROUND PINS.
 (NOTE: CONTACTS IN ROW J & K ARE TIED
 TOGETHER [COMMONED]).


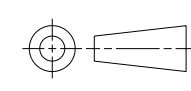
5 CONTACTS IN ROWS B,D,F,H,L,N,Q, AND S
 ARE DUAL BEAM CONTACTS,
 TYPICALLY USED AS SIGNAL PINS.

6 SPECIFIED POSITIONAL TOLERANCE DEFINES PAD TO PAD
 LOCATION WITHIN LAND PATTERN. POSITIONAL TOLERANCE
 OF LAND PATTERN TO FUDICIAL MARKS OR PCB DATUMS
 SHALL BE DEFINED BY CUSTOMER. FOR RECOMMENDED
 PRODUCT APPLICATION AND PCB DESIGN DETAILS, SEE
 APPLICATION SPEC 114-13101.

7 SOLDER PADS UNUSED, MAY BE OMITTED.

8 REFERENCE BOARD PATTERN FOR DIMENSIONS
 AND DETAILS NOT SHOWN.

11.65	12.95	SELECT LOAD-112 POSN-SEE VIEW 35	12mm Sn/Ag	8-1761614-5
12.65	13.95	SELECT LOAD-104 POSN-SEE VIEW 31	13mm Sn/Ag	8-1761614-3
19.65	20.95	SELECT LOAD-104 POSN-SEE VIEW 31	20mm Sn/Ag	8-1761614-2
9.65	10.95	SELECT LOAD-104 POSN-SEE VIEW 31	10mm Sn/Ag	8-1761614-1
24.65	25.95	FULL LOAD-200 POSN	25mm Sn/Ag	7-1761614-5
19.65	20.95	FULL LOAD-200 POSN	20mm Sn/Ag	7-1761614-0
14.65	15.95	FULL LOAD-200 POSN	15mm Sn/Ag	6-1761614-5
12.65	13.95	FULL LOAD-200 POSN	13mm Sn/Ag	6-1761614-3
11.65	12.95	FULL LOAD-200 POSN	12mm Sn/Ag	6-1761614-2
9.65	10.95	FULL LOAD-200 POSN	10mm Sn/Ag	6-1761614-0
9.65	10.95	SELECT LOAD-120 POSN-SEE VIEW 34	10mm Sn/Pb	3-1761614-4
12.65	13.95	SELECT LOAD-104 POSN-SEE VIEW 31	13mm Sn/Pb	3-1761614-3
19.65	20.95	SELECT LOAD-104 POSN-SEE VIEW 31	20mm Sn/Pb	3-1761614-2
9.65	10.95	SELECT LOAD-104 POSN-SEE VIEW 31	10mm Sn/Pb	3-1761614-1
24.65	25.95	FULL LOAD-200 POSN	25mm Sn/Pb	2-1761614-5
19.65	20.95	FULL LOAD-200 POSN	20mm Sn/Pb	2-1761614-0
14.65	15.95	FULL LOAD-200 POSN	15mm Sn/Pb	1-1761614-5
12.65	13.95	FULL LOAD-200 POSN	13mm Sn/Pb	1-1761614-3
11.65	12.95	FULL LOAD-200 POSN	12mm Sn/Pb	1-1761614-2
9.65	10.95	FULL LOAD-200 POSN	10mm Sn/Pb	1-1761614-0
DIM H	DIM G	LOAD STYLE	DESCRIPTION	PART NUMBER

THIS DRAWING IS A CONTROLLED DOCUMENT.		DWN P BRANDBERG 17DEC04	 TE Connectivity	
		CHK D WERTZ 05JAN05		
DIMENSIONS: mm		APVD D WERTZ 05JAN05	NAME STEP-Z, PLUG ASSEMBLY, 200 SIGNAL POSITION	
		PRODUCT SPEC 108-2143		
TOLERANCES UNLESS OTHERWISE SPECIFIED:		APPLICATION SPEC 114-13101		
0 PLC ±- 1 PLC ±0.3 2 PLC ±0.10 3 PLC ±0.050 4 PLC ±- ANGLES ±2°		WEIGHT -	SIZE A3	CAGE CODE 00779
MATERIAL - FINISH -		CUSTOMER DRAWING	DRAWING NO C-1761614	RESTRICTED TO -
		SCALE -	SHEET 2 OF 5	REV A6

THIS DRAWING IS UNPUBLISHED.

RELEASED FOR PUBLICATION

20

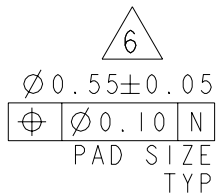
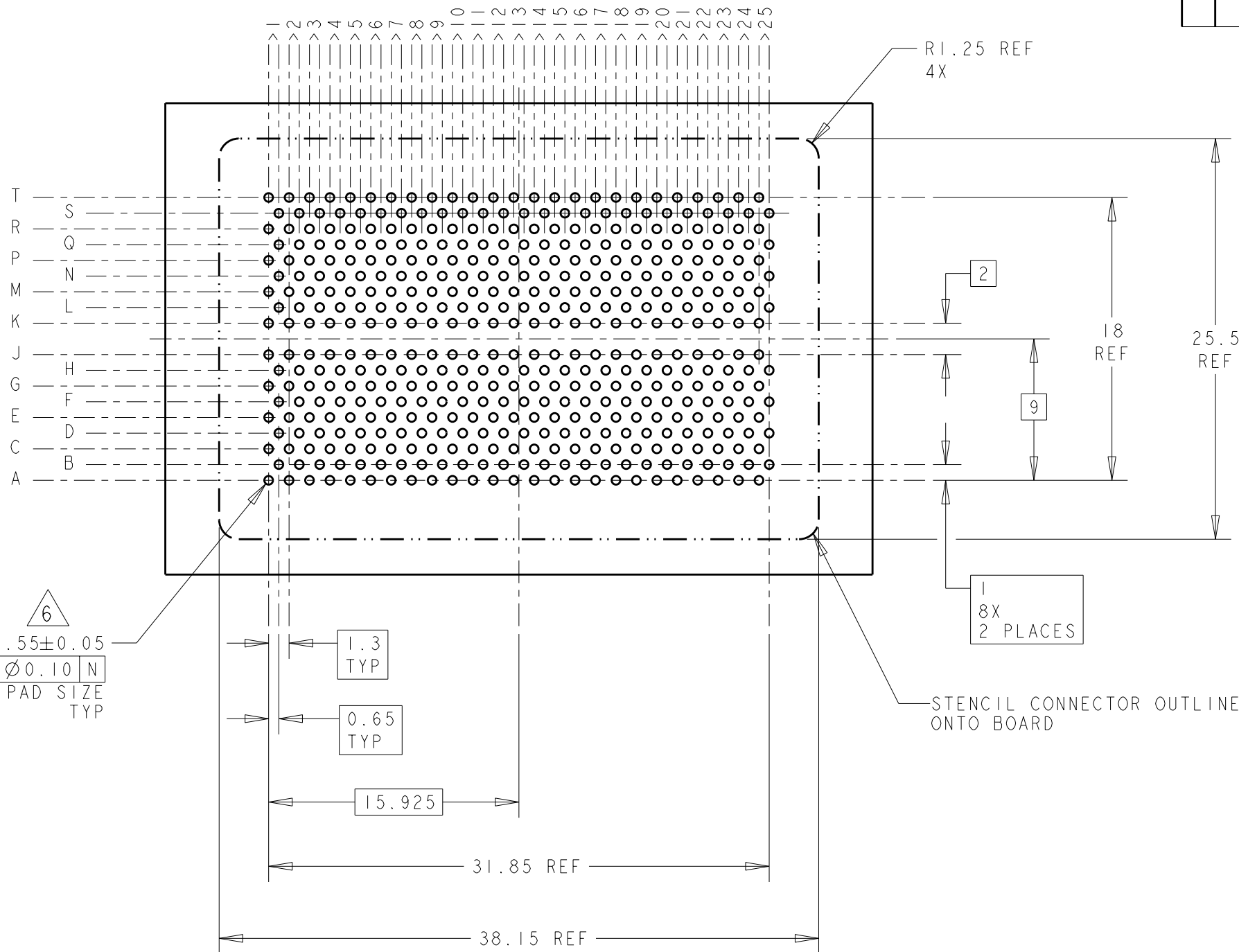
© COPYRIGHT 20

ALL RIGHTS RESERVED.

LOC GP DIST 00

REVISIONS

P	LTR	DESCRIPTION	DATE	DWN	APVD
-	-	SEE SHEET 1	-	-	-



4 5 BOARD PATTERN
SCALE 3:1

THIS DRAWING IS A CONTROLLED DOCUMENT.

DIMENSIONS:	TOLERANCES UNLESS OTHERWISE SPECIFIED:
mm	0 PLC ±-
	1 PLC ±0.3
	2 PLC ±0.10
	3 PLC ±0.050
	4 PLC ±-
	ANGLES ±2°

MATERIAL - FINISH -

DWN	P BRANDBERG	17DEC04
CHK	D WERTZ	05JAN05
APVD	D WERTZ	05JAN05
PRODUCT SPEC	108-2143	
APPLICATION SPEC	114-13101	
WEIGHT	-	



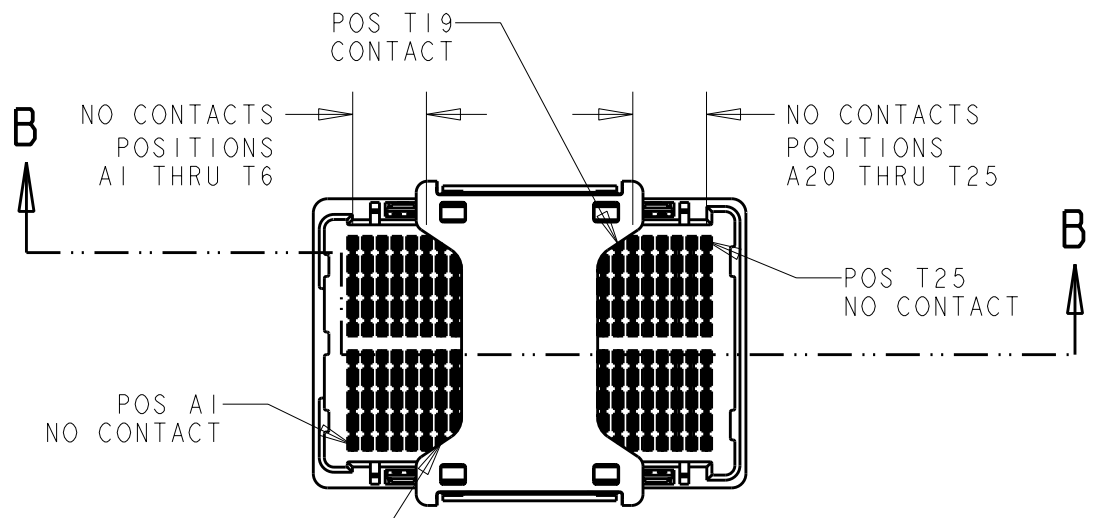
NAME STEP-Z, PLUG ASSEMBLY, 200 SIGNAL POSITION

SIZE	CAGE CODE	DRAWING NO	RESTRICTED TO
A3	00779	C-1761614	-

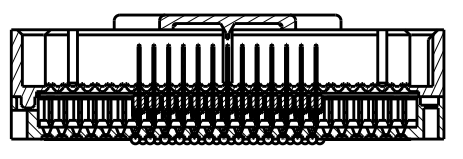
CUSTOMER DRAWING SCALE - SHEET 3 OF 5 REV A6

THIS DRAWING IS UNPUBLISHED. RELEASED FOR PUBLICATION 20
 © COPYRIGHT 20 ALL RIGHTS RESERVED.

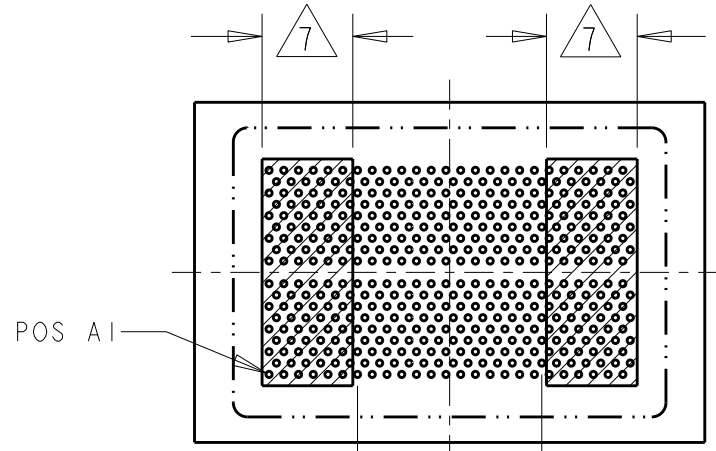
LOC	DIST	REVISIONS				
P	LTR	DESCRIPTION	DATE	DWN	APVD	
GP	00	-	SEE SHEET 1	-	-	



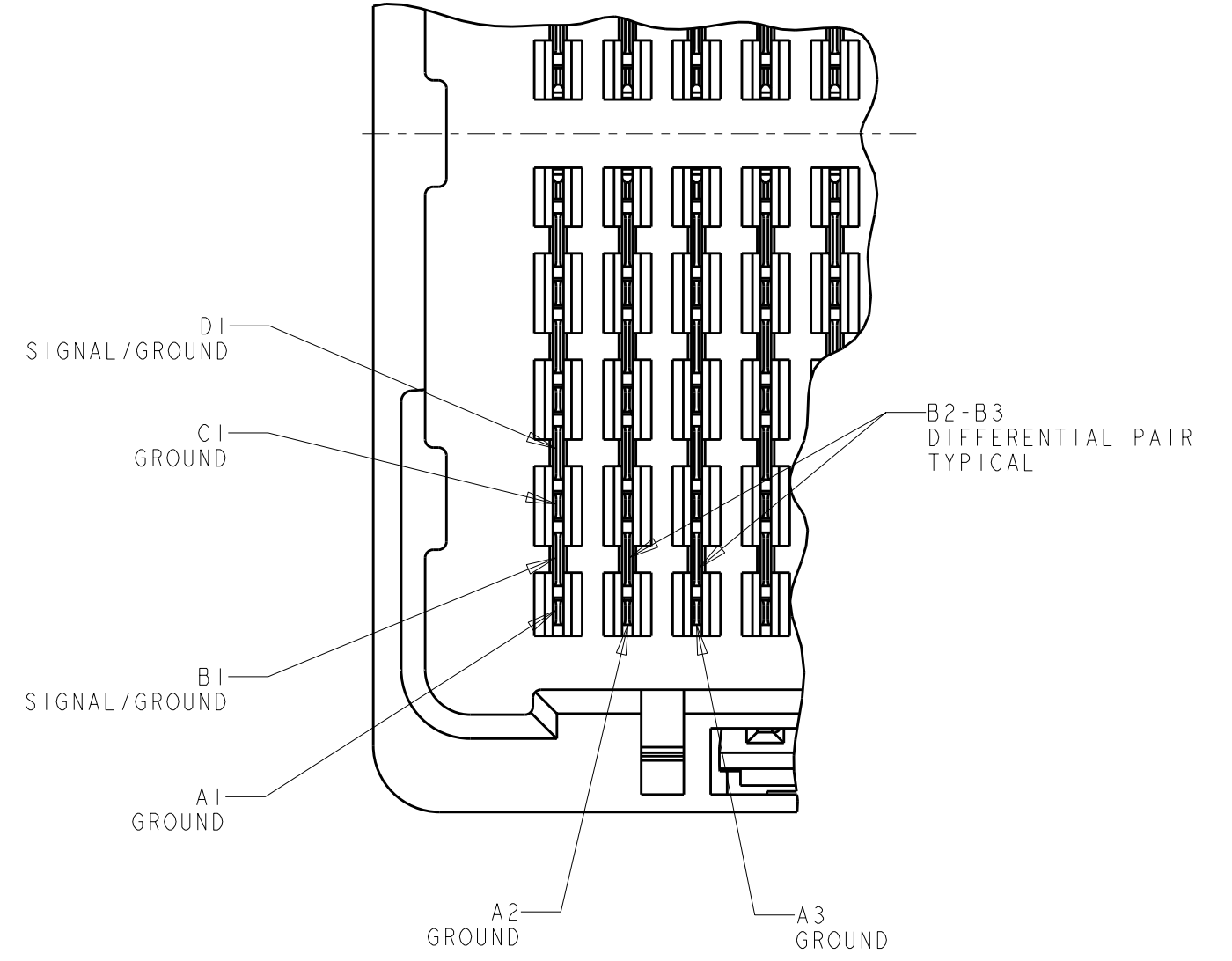
VIEW 31
 SELECT LOAD 104 POSITION
 SCALE 3:2



SECTION B-B



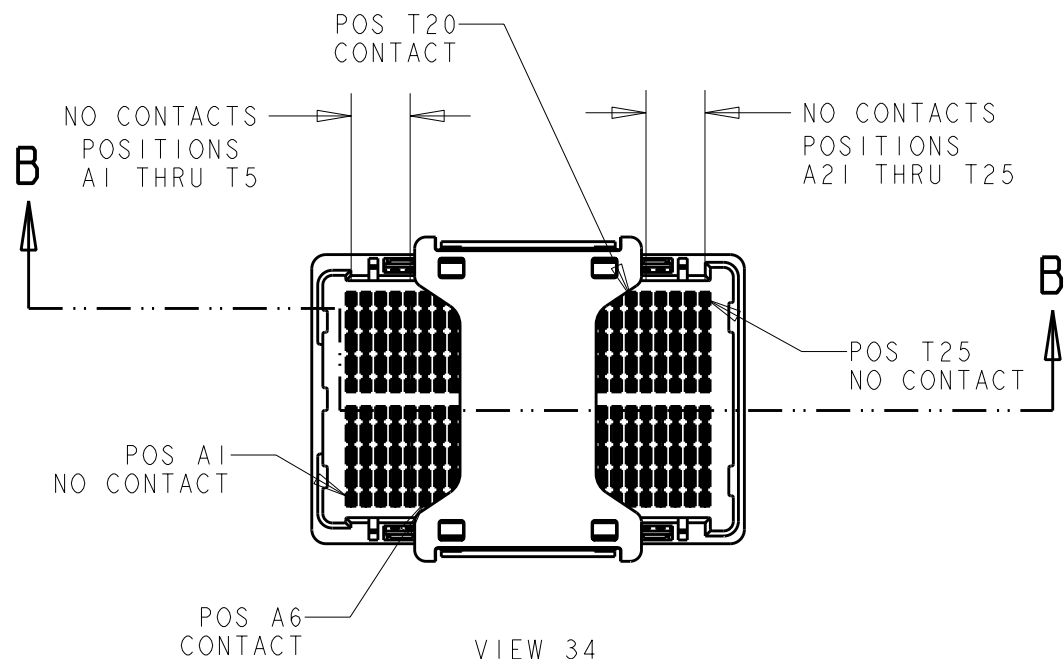
VIEW 31
 SELECT LOAD 104 POSITION
 BOARD PATTERN
 SCALE 3:2



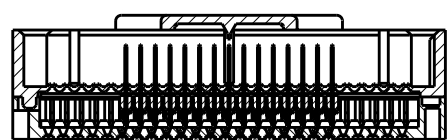
PLUG INTERFACE
 SCALE 8:1

THIS DRAWING IS A CONTROLLED DOCUMENT.		DWN P BRANDBERG 17DEC04	TE Connectivity	
DIMENSIONS: mm		CHK D WERTZ 05JAN05		
TOLERANCES UNLESS OTHERWISE SPECIFIED:		APVD D WERTZ 05JAN05	NAME STEP-Z, PLUG ASSEMBLY, 200 SIGNAL POSITION	
0 PLC ±- 1 PLC ±0.3 2 PLC ±0.10 3 PLC ±0.050 4 PLC ±- ANGLES ±2°		PRODUCT SPEC 108-2143	SIZE A3	
MATERIAL -		APPLICATION SPEC 114-13101	CAGE CODE 00779	DRAWING NO C-1761614
FINISH -		WEIGHT -	RESTRICTED TO -	
CUSTOMER DRAWING			SCALE -	SHEET 4 OF 5 REV A6

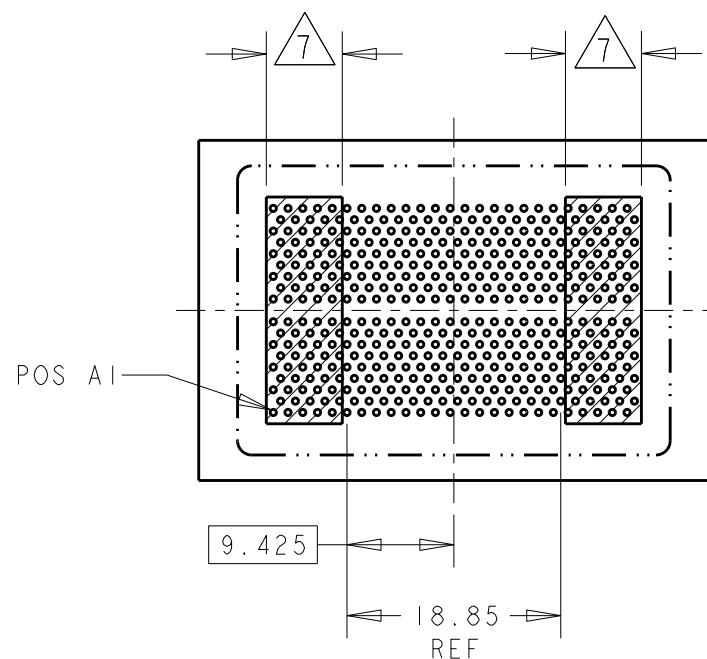
P	LTR	DESCRIPTION	DATE	DWN	APVD
-	-	SEE SHEET 1	-	-	-



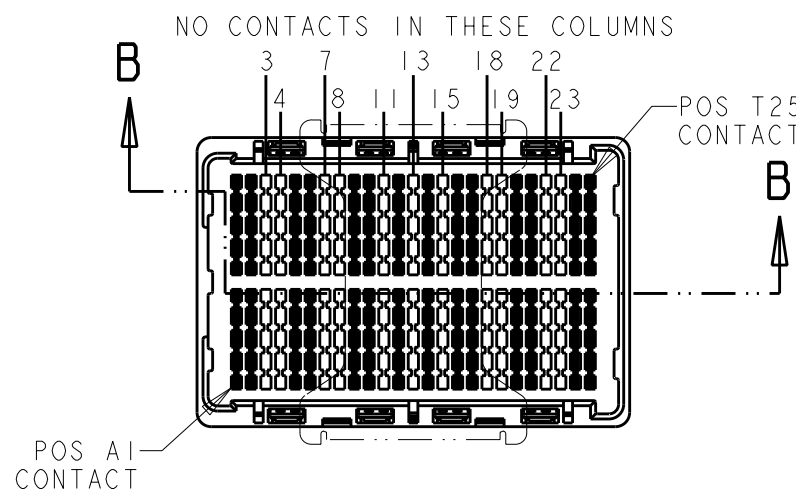
VIEW 34
SELECT LOAD 120 POSITION
SCALE 3:2



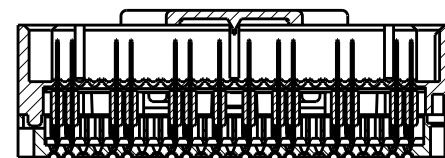
SECTION B-B



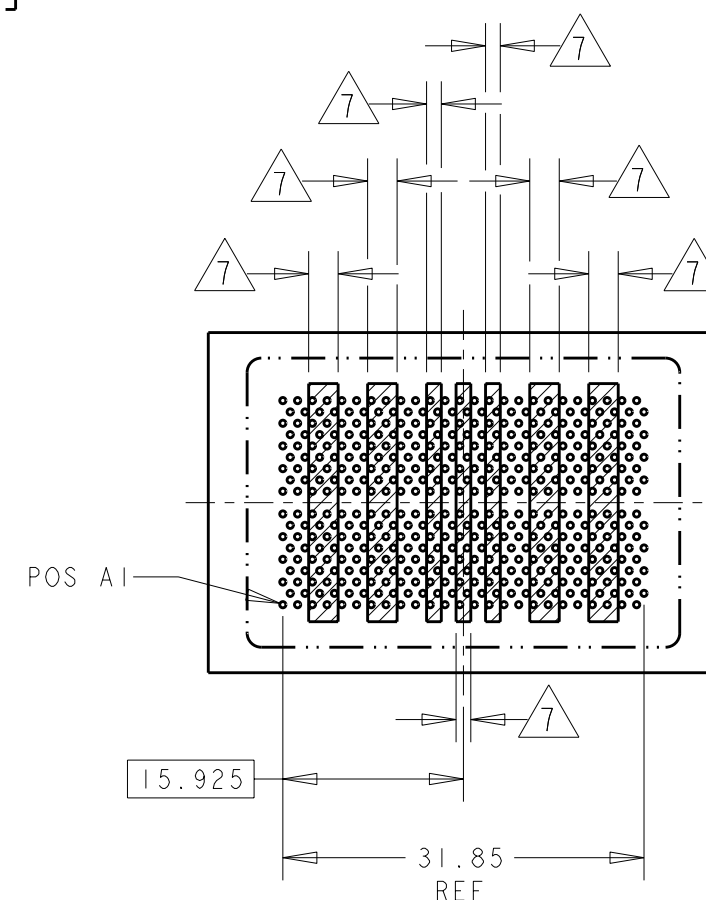
VIEW 34
SELECT LOAD 120 POSITION
BOARD PATTERN
SCALE 3:2



VIEW 35
SELECT LOAD 112 POSITION
SCALE 3:2



SECTION B-B



VIEW 35
SELECT LOAD 112 POSITION
BOARD PATTERN
SCALE 3:2

THIS DRAWING IS A CONTROLLED DOCUMENT.		DWN P BRANDBERG 17DEC04	TE Connectivity	
DIMENSIONS: mm		CHK D WERTZ 05JAN05		
TOLERANCES UNLESS OTHERWISE SPECIFIED:		APVD D WERTZ 05JAN05	NAME STEP-Z, PLUG ASSEMBLY, 200 SIGNAL POSITION	
<ul style="list-style-type: none"> 0 PLC ±- 1 PLC ±0.3 2 PLC ±0.10 3 PLC ±0.050 4 PLC ±- ANGLES ±2° 		PRODUCT SPEC 108-2143	SIZE A3	
MATERIAL -		APPLICATION SPEC 114-13101	CAGE CODE 00779	DRAWING NO C-1761614
FINISH -		WEIGHT -	RESTRICTED TO -	
		CUSTOMER DRAWING	SCALE -	SHEET 5 OF 5 REV A6

X-ON Electronics

Largest Supplier of Electrical and Electronic Components

Click to view similar products for [Board to Board & Mezzanine Connectors](#) category:

Click to view products by [TE Connectivity](#) manufacturer:

Other Similar products are found below :

[10135583-642402LF](#) [89885-310LF](#) [589158040000018](#) [6-1393048-0](#) [68683-613](#) [MDF7-12DP-2.54DSA](#) [MDF7-18P-2.54DSA\(01\)](#) [MDF7-20DP-2.54DSA](#) [MDF7-26D-2.54DSA\(55\)](#) [MDF7-3P-2.54DSA\(01\)](#) [MDF7B-20P-2.54DSA\(01\)](#) [MDF7B-3P-2.54DSA\(55\)](#) [MDF7C-18P-2.54DSA\(55\)](#) [MDF7P-5P-2.54DSA\(55\)](#) [75234-0516](#) [FCN-230C068-11](#) [FCN-268F012-G/BD](#) [FCN-268F036-G/BD](#) [FCN-268M012-G/0D](#) [FCN-268M024-G/1D](#) [FCN-360C008-C](#) [FCN-723J004/1](#) [MIS-048-01-F-D-DP-K](#) [832-10-034-10-001000](#) [93696-325LF](#) [11828-1FA](#) [AXK630345P](#) [18097-0013](#) [2007042-2](#) [304400-2](#) [FCN-214Q030-G/0](#) [FCN-215Q040-G/0](#) [FCN-230C068-ESA](#) [FCN-234P048-G/0](#) [FCN-235D050-G/C](#) [FCN-360A3](#) [FCN-360C040-B](#) [210-93-314-41-105000](#) [2-22603-0](#) [379-064-521-202](#) [MDF7-12P-2.54DSA\(01\)](#) [MDF7-16P-2.54DS\(56\)](#) [MDF7-16P-2.54DSA\(55\)](#) [MDF7-40DP-2.54DSA\(55\)](#) [MDF7-8P-2.54DSA\(55\)](#) [AXG720047](#) [5031084030](#) [55323-1519](#) [DF33-2P-3.3DSA\(24\)](#) [DF33-2S-3.3C](#)