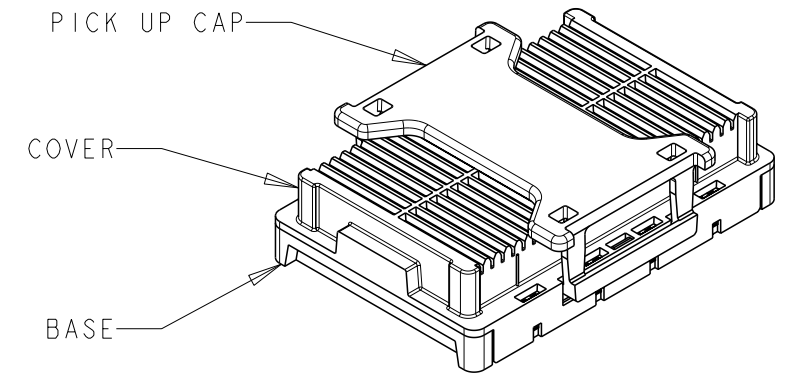
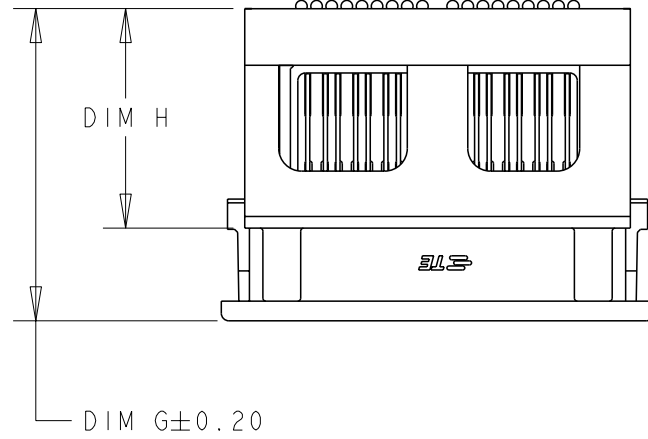
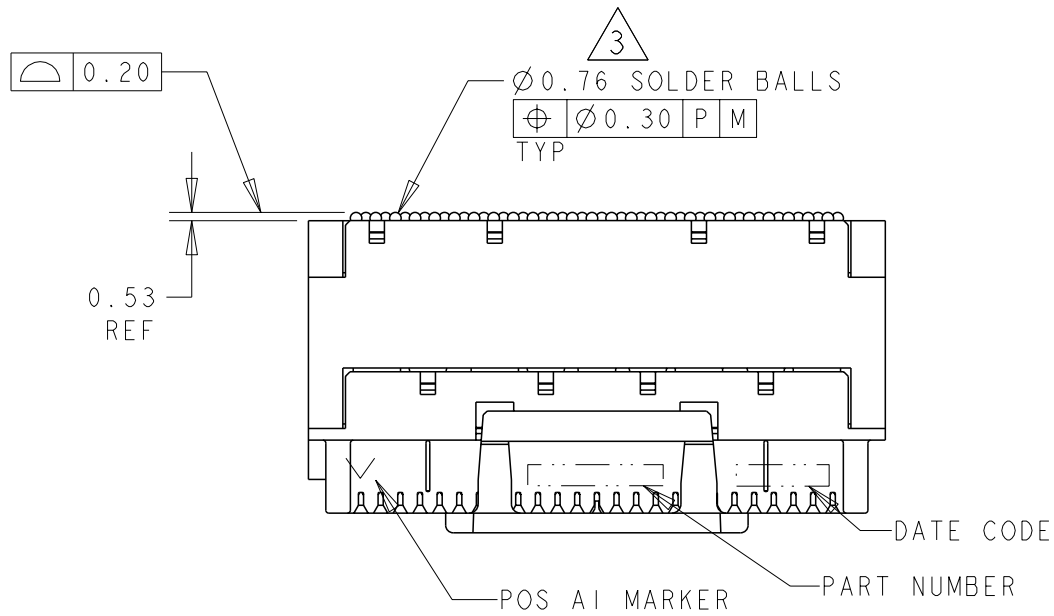
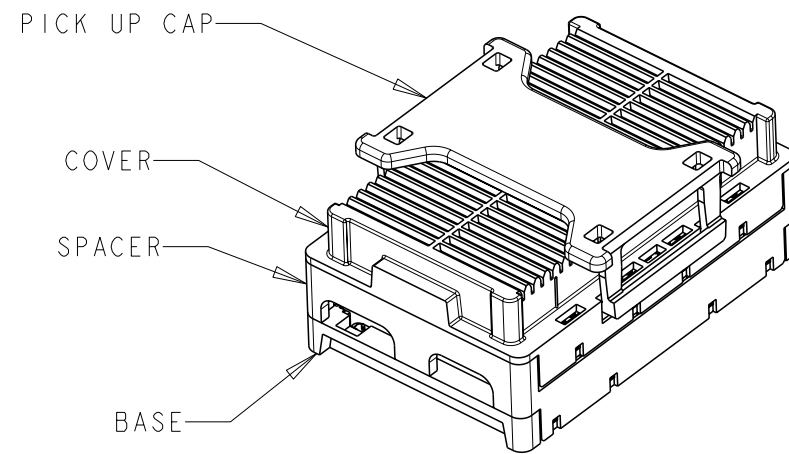
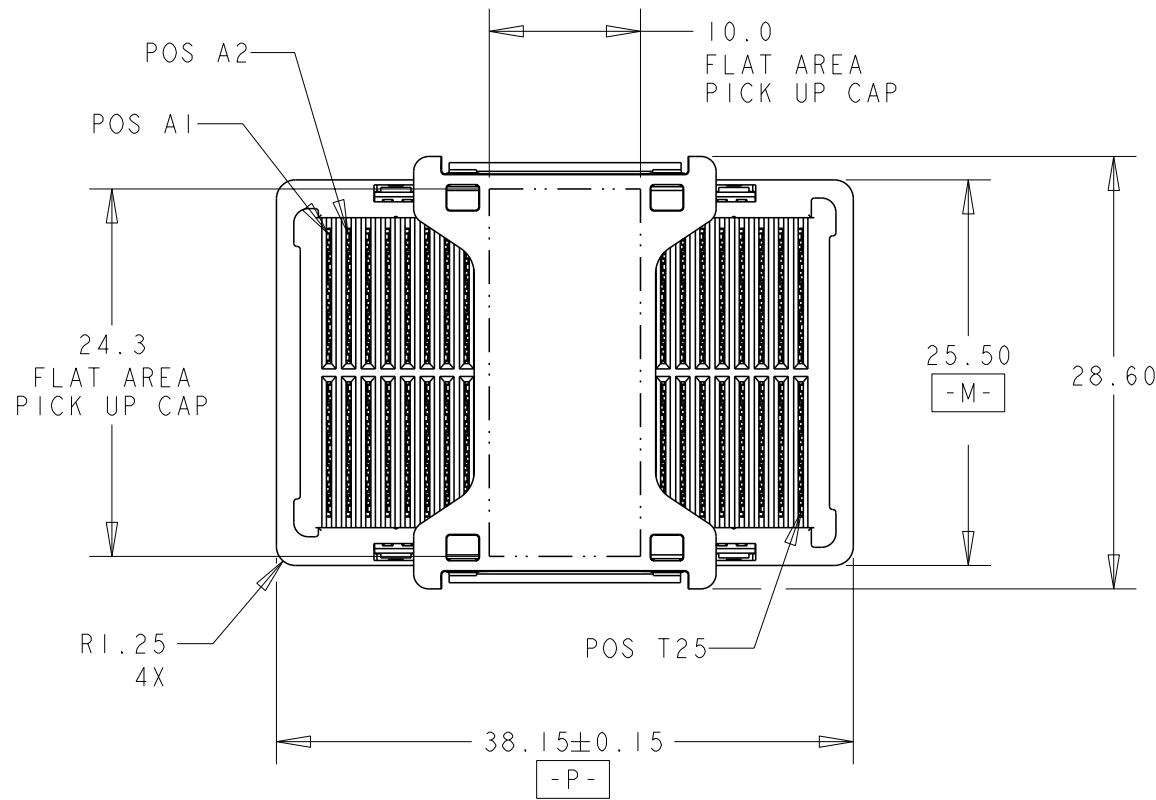


| REVISIONS |     |                           |           |     |      |
|-----------|-----|---------------------------|-----------|-----|------|
| P         | LTR | DESCRIPTION               | DATE      | DWN | APVD |
|           | A6  | REVISED PER ECO-20-017117 | 26APR2021 | AP  | RW   |
|           |     |                           |           |     |      |
|           |     |                           |           |     |      |

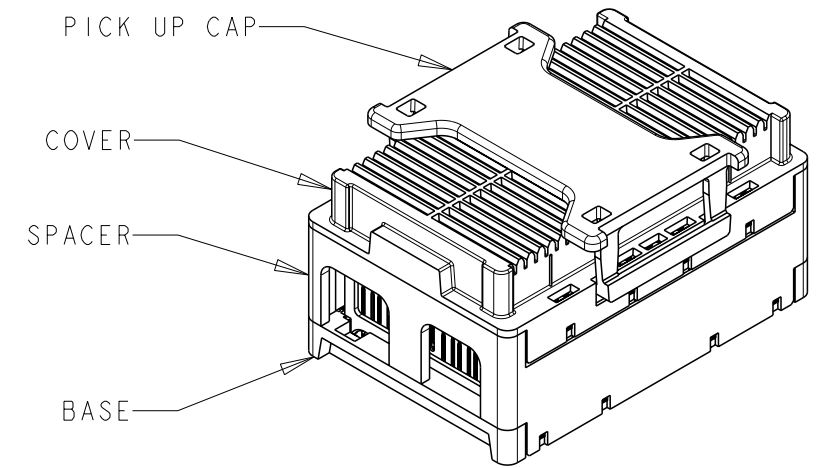


ISOMETRIC VIEW  
TYPICAL CONFIGURATION  
FOR 5mm ASSEMBLY  
SCALE 3:2

**TYPICAL ASSEMBLY**  
15mm SHOWN  
SCALE 2:1



ISOMETRIC VIEW  
TYPICAL CONFIGURATION  
FOR 11mm ASSEMBLY  
SCALE 3:2



ISOMETRIC VIEW  
TYPICAL CONFIGURATION  
FOR 15mm ASSEMBLY  
SCALE 3:2

|                                                                                 |  |                               |                                                             |                     |                         |
|---------------------------------------------------------------------------------|--|-------------------------------|-------------------------------------------------------------|---------------------|-------------------------|
| THIS DRAWING IS A CONTROLLED DOCUMENT.                                          |  | DWN<br>P BRANDBERG<br>21DEC04 | TE Connectivity                                             |                     |                         |
| DIMENSIONS:<br>mm                                                               |  | CHK<br>D WERTZ<br>05JAN05     |                                                             |                     |                         |
| TOLERANCES UNLESS OTHERWISE SPECIFIED:                                          |  | APVD<br>D WERTZ<br>05JAN05    | NAME<br>STEP-Z, RECEPTACLE ASSEMBLY,<br>200 SIGNAL POSITION |                     |                         |
| 0 PLC ±-<br>1 PLC ±0.3<br>2 PLC ±0.10<br>3 PLC ±0.050<br>4 PLC ±-<br>ANGLES ±2° |  | PRODUCT SPEC<br>108-2143      | SIZE<br>A3                                                  |                     |                         |
| MATERIAL<br>1                                                                   |  | FINISH<br>2                   | APPLICATION SPEC<br>114-13101                               | CAGE CODE<br>300779 | DRAWING NO<br>C-1761615 |
|                                                                                 |  | WEIGHT<br>-                   | RESTRICTED TO                                               |                     |                         |
|                                                                                 |  | CUSTOMER DRAWING              | SCALE<br>2:1                                                | SHEET<br>1 OF 6     | REV<br>A6               |


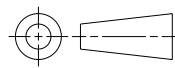
printed on 26 Apr 2021 11:11 from FRO19828

REVISIONS

| P | LTR | DESCRIPTION | DATE | DWN | APVD |
|---|-----|-------------|------|-----|------|
|   | -   | SEE SHEET 1 | -    | -   | -    |
|   |     |             |      |     |      |
|   |     |             |      |     |      |

- 1 MATERIAL:  
BASE, SPACER, COVER: THERMOPLASTIC  
PICK UP CAP: THERMOPLASTIC  
CONTACT: COPPER ALLOY  
SOLDER BALL: Sn/Pb FOR P/N 1761615-1 THRU 5-1761615-0  
Sn/Ag FOR P/N 5-1761615-1 THRU 9-1761615-9
- 2 FINISH:  
CONTACT: 0.00076 MIN GOLD OVER 0.00127 MIN NICKEL.  
(30µ" MIN GOLD OVER 50µ" MIN NICKEL)
- 3 SOLDER BALLS WILL NOT BE PERFECT  
SPHERICAL SHAPE DUE TO REFLOW ATTACHMENT.
- 4 CONTACTS IN ROWS A,C,E,G,J,K,M,P,R, AND T  
ARE SINGLE BEAM CONTACTS,  
TYPICALLY USED AS GROUND PINS.  
(NOTE: CONTACTS IN ROWS J & K ARE TIED  
TOGETHER [COMMONED]).
- 5 CONTACTS IN ROWS B,D,F,H,L,N,Q, AND S  
ARE DUAL BEAM CONTACTS,  
TYPICALLY USED AS SIGNAL PINS.
- 6 SPECIFIED POSITIONAL TOLERANCE DEFINES PAD TO PAD  
LOCATION WITHIN LAND PATTERN. POSITIONAL TOLERANCE  
OF LAND PATTERN TO FUDICIAL MARKS OR PCB DATUMS  
SHALL BE DEFINED BY CUSTOMER. FOR RECOMMENDED  
PRODUCT APPLICATION AND PCB DESIGN DETAILS, SEE  
APPLICATION SPEC 114-13101.
- 7 SOLDER PADS UNUSED, MAY BE OMITTED.
- 8 REFERENCE BOARD PATTERN FOR DIMENSIONS  
AND DETAILS NOT SHOWN.

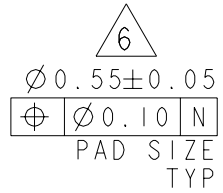
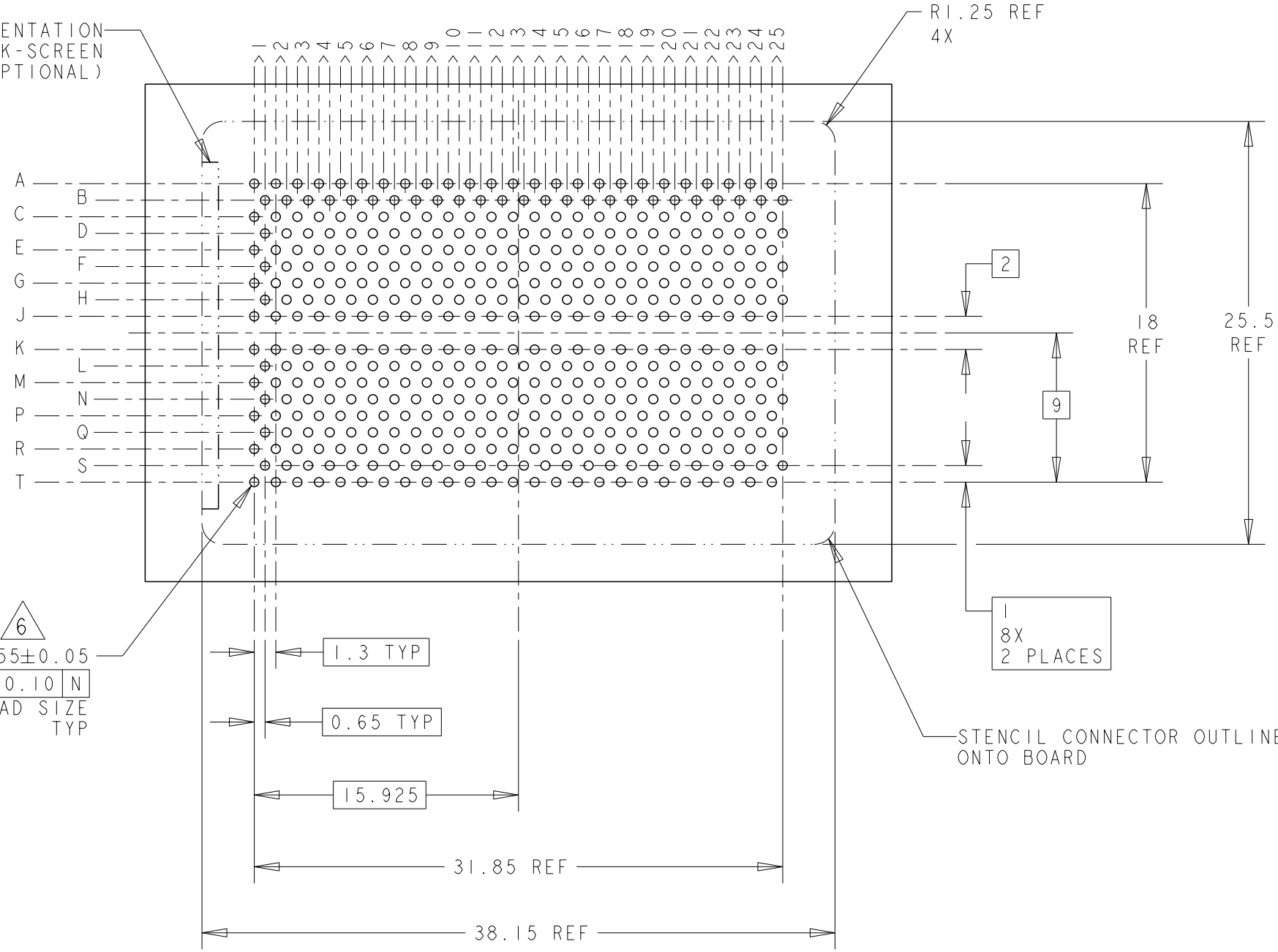
|          | DIM H | DIM G | LOAD STYLE                       | DESCRIPTION | PART NUMBER            |
|----------|-------|-------|----------------------------------|-------------|------------------------|
|          | 14.51 | 20.65 | SELECT LOAD-112 POSN-SEE VIEW 35 | 15mm Sn/Ag  | 8-1761615-5            |
|          | 14.51 | 20.65 | SELECT LOAD-104 POSN-SEE VIEW 32 | 15mm Sn/Ag  | 8-1761615-2            |
|          | 4.51  | 10.65 | SELECT LOAD-104 POSN-SEE VIEW 31 | 5mm Sn/Ag   | 8-1761615-1            |
|          | 14.51 | 20.65 | FULL LOAD-200 POSN               | 15mm Sn/Ag  | 6-1761615-5            |
|          | 10.51 | 16.65 | FULL LOAD-200 POSN               | 11mm Sn/Ag  | 6-1761615-1            |
|          | 4.51  | 10.65 | FULL LOAD-200 POSN               | 5mm Sn/Ag   | 5-1761615-5            |
|          | 14.51 | 20.65 | SELECT LOAD-120 POSN-SEE VIEW 33 | 15mm Sn/Pb  | 3-1761615-3            |
| OBSOLETE | 14.51 | 20.65 | SELECT LOAD-104 POSN-SEE VIEW 32 | 15mm Sn/Pb  | <del>3-1761615-2</del> |
|          | 4.51  | 10.65 | SELECT LOAD-104 POSN-SEE VIEW 31 | 5mm Sn/Pb   | 3-1761615-1            |
| OBSOLETE | 14.51 | 20.65 | FULL LOAD-200 POSN               | 15mm Sn/Pb  | <del>1-1761615-1</del> |
|          | 10.51 | 16.65 | FULL LOAD-200 POSN               | 11mm Sn/Pb  | <del>1-1761615-1</del> |
|          | 4.51  | 10.65 | FULL LOAD-200 POSN               | 5mm Sn/Pb   | <del>1-1761615-5</del> |

|                                                                                                                           |  |                               |                                                                                                       |                    |
|---------------------------------------------------------------------------------------------------------------------------|--|-------------------------------|-------------------------------------------------------------------------------------------------------|--------------------|
| THIS DRAWING IS A CONTROLLED DOCUMENT.                                                                                    |  | DWN<br>P BRANDBERG<br>21DEC04 |  TE Connectivity |                    |
| DIMENSIONS:<br>mm                                                                                                         |  | CHK<br>D WERTZ<br>05JAN05     |                                                                                                       |                    |
|                                      |  | APVD<br>D WERTZ<br>05JAN05    | NAME<br>STEP-Z, RECEPTACLE ASSEMBLY,<br>200 SIGNAL POSITION                                           |                    |
| TOLERANCES UNLESS OTHERWISE SPECIFIED:<br>0 PLC ±-<br>1 PLC ±0.3<br>2 PLC ±0.10<br>3 PLC ±0.050<br>4 PLC ±-<br>ANGLES ±2° |  | PRODUCT SPEC<br>108-2143      | RESTRICTED TO                                                                                         |                    |
| MATERIAL                                                                                                                  |  | APPLICATION SPEC<br>114-13101 | SIZE<br>A3                                                                                            | CAGE CODE<br>00779 |
| FINISH                                                                                                                    |  | WEIGHT<br>-                   | DRAWING NO<br>C-1761615                                                                               |                    |
|                                                                                                                           |  | CUSTOMER DRAWING              | SCALE<br>2:1                                                                                          | SHEET<br>2 OF 6    |
|                                                                                                                           |  |                               | REV<br>A6                                                                                             |                    |

Printed on 26 Apr 2021 11:11 from FROT9828

| P | LTR | DESCRIPTION | DATE | DWN | APVD |
|---|-----|-------------|------|-----|------|
| - | -   | SEE SHEET 1 | -    | -   | -    |
|   |     |             |      |     |      |
|   |     |             |      |     |      |

KEY ORIENTATION  
SILK-SCREEN  
(OPTIONAL)



**BOARD PATTERN**  
SCALE 3:1

THIS DRAWING IS A CONTROLLED DOCUMENT.

| DIMENSIONS: | TOLERANCES UNLESS OTHERWISE SPECIFIED: |
|-------------|----------------------------------------|
| mm          |                                        |
|             | 0 PLC ±-                               |
|             | 1 PLC ±0.3                             |
|             | 2 PLC ±0.10                            |
|             | 3 PLC ±0.050                           |
|             | 4 PLC ±-                               |
|             | ANGLES ±2°                             |
| MATERIAL    | FINISH                                 |

|                  |             |         |
|------------------|-------------|---------|
| DWN              | P BRANDBERG | 21DEC04 |
| CHK              | D WERTZ     | 05JAN05 |
| APVD             | D WERTZ     | 05JAN05 |
| PRODUCT SPEC     | 108-2143    |         |
| APPLICATION SPEC | 114-13101   |         |
| WEIGHT           | -           |         |

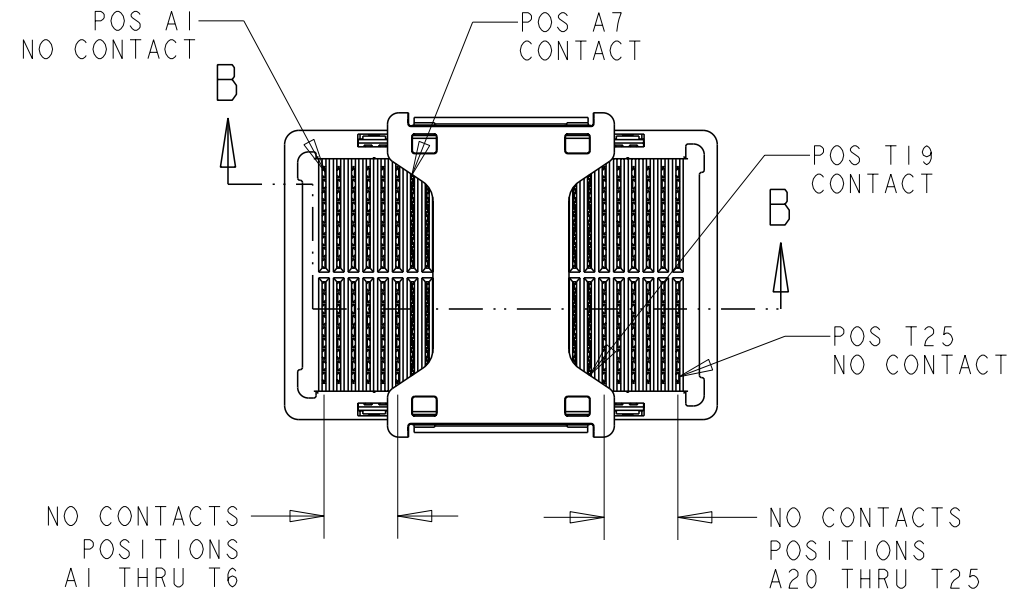


NAME  
**STEP-Z, RECEPTACLE ASSEMBLY,  
200 SIGNAL POSITION**

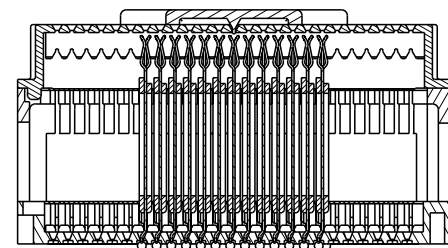
| SIZE | CAGE CODE | DRAWING NO | RESTRICTED TO |
|------|-----------|------------|---------------|
| A3   | 00779     | C=1761615  |               |

Printed on 26 Apr 2021 11:11 from FROT9828

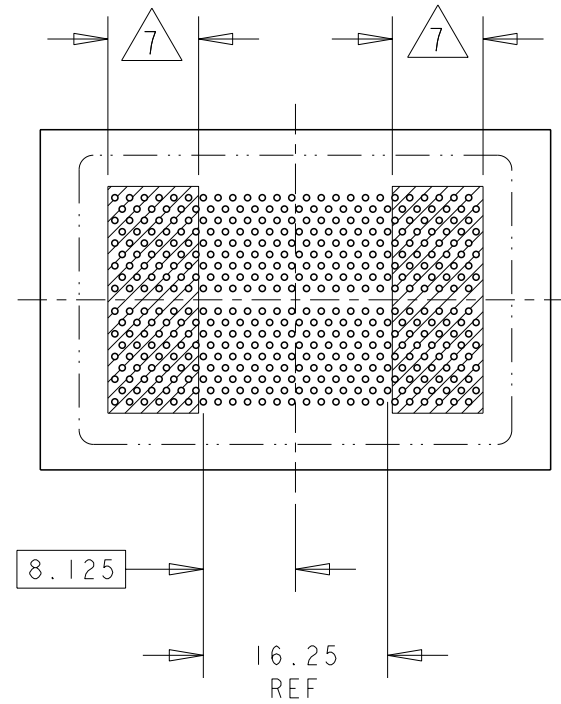
| P | LTR | DESCRIPTION | DATE | DWN | APVD |
|---|-----|-------------|------|-----|------|
| - | -   | SEE SHEET 1 | -    | -   | -    |
|   |     |             |      |     |      |
|   |     |             |      |     |      |



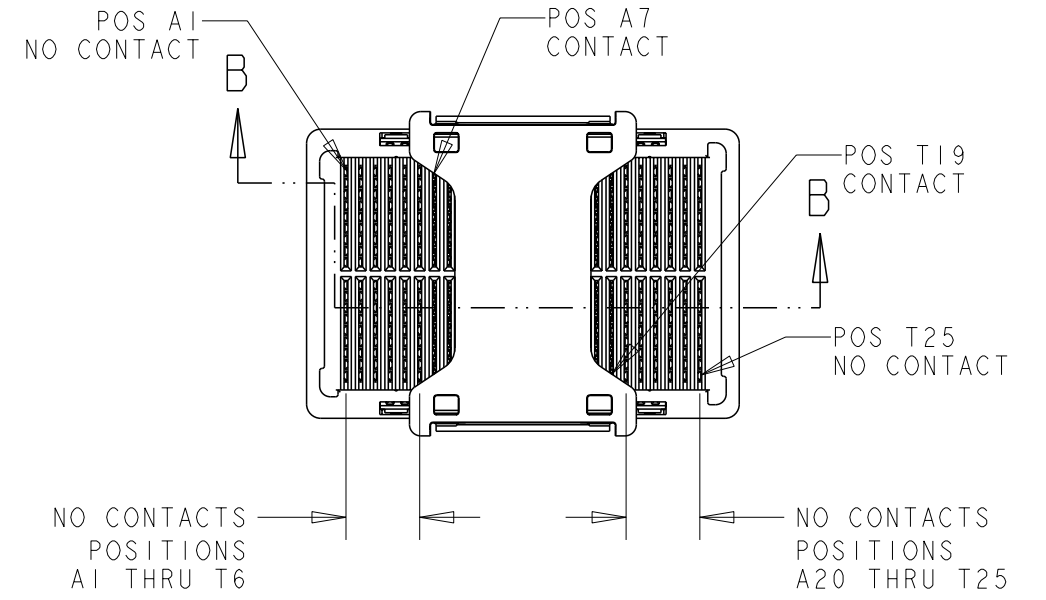
VIEW 32  
SELECT LOAD 15mm 104 POSITION  
SCALE 3:2



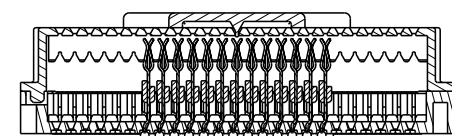
SECTION B-B



VIEW 31 & VIEW 32  
SELECT LOAD 104 POSITION  
BOARD PATTERN  
SCALE 3:2



VIEW 31  
SELECT LOAD 5mm 104 POSITION  
SCALE 3:2



SECTION B-B

THIS DRAWING IS A CONTROLLED DOCUMENT.

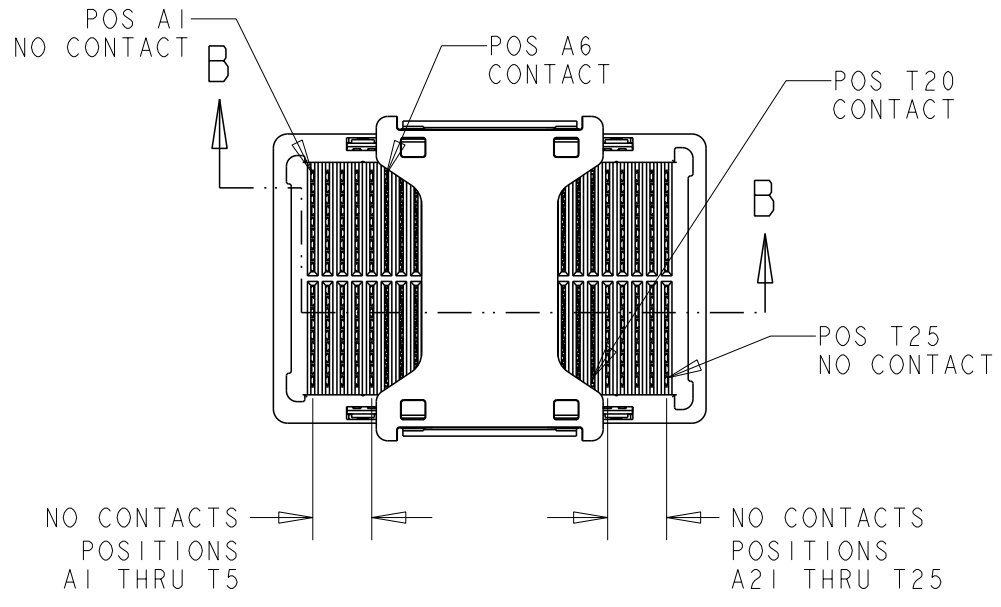
|                   |                                        |
|-------------------|----------------------------------------|
| DIMENSIONS:<br>mm | TOLERANCES UNLESS OTHERWISE SPECIFIED: |
|                   | 0 PLC ±-                               |
|                   | 1 PLC ±0.3                             |
|                   | 2 PLC ±0.10                            |
|                   | 3 PLC ±0.050                           |
|                   | 4 PLC ±-                               |
|                   | ANGLES ±2°                             |
| MATERIAL          | FINISH                                 |

|                    |           |
|--------------------|-----------|
| DWN<br>P BRANDBERG | 21DEC04   |
| CHK<br>D WERTZ     | 05JAN05   |
| APVD<br>D WERTZ    | 05JAN05   |
| PRODUCT SPEC       | 108-2143  |
| APPLICATION SPEC   | 114-13101 |
| WEIGHT             | -         |
| CUSTOMER DRAWING   |           |

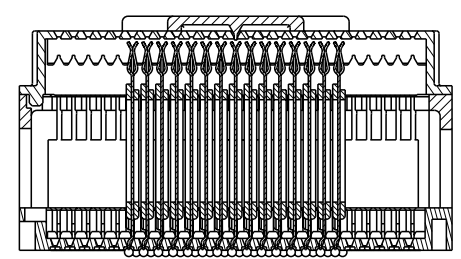
|                 |           |                                                     |               |
|-----------------|-----------|-----------------------------------------------------|---------------|
| TE Connectivity |           | NAME                                                |               |
|                 |           | STEP-Z, RECEPTACLE ASSEMBLY,<br>200 SIGNAL POSITION |               |
| SIZE            | CAGE CODE | DRAWING NO                                          | RESTRICTED TO |
| A3              | 00779     | C-1761615                                           |               |
| SCALE 2:1       |           | SHEET 4 OF 6                                        | REV A6        |

printed on 26 Apr 2021 11:11 from FRO19828

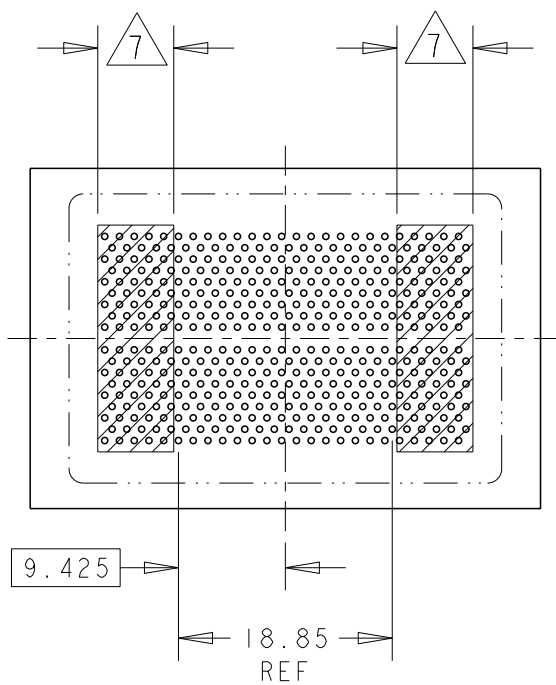
© 2021 TE Connectivity. All Rights Reserved.



VIEW 33  
SELECT LOAD 15mm 120 POSITION  
SCALE 3:2

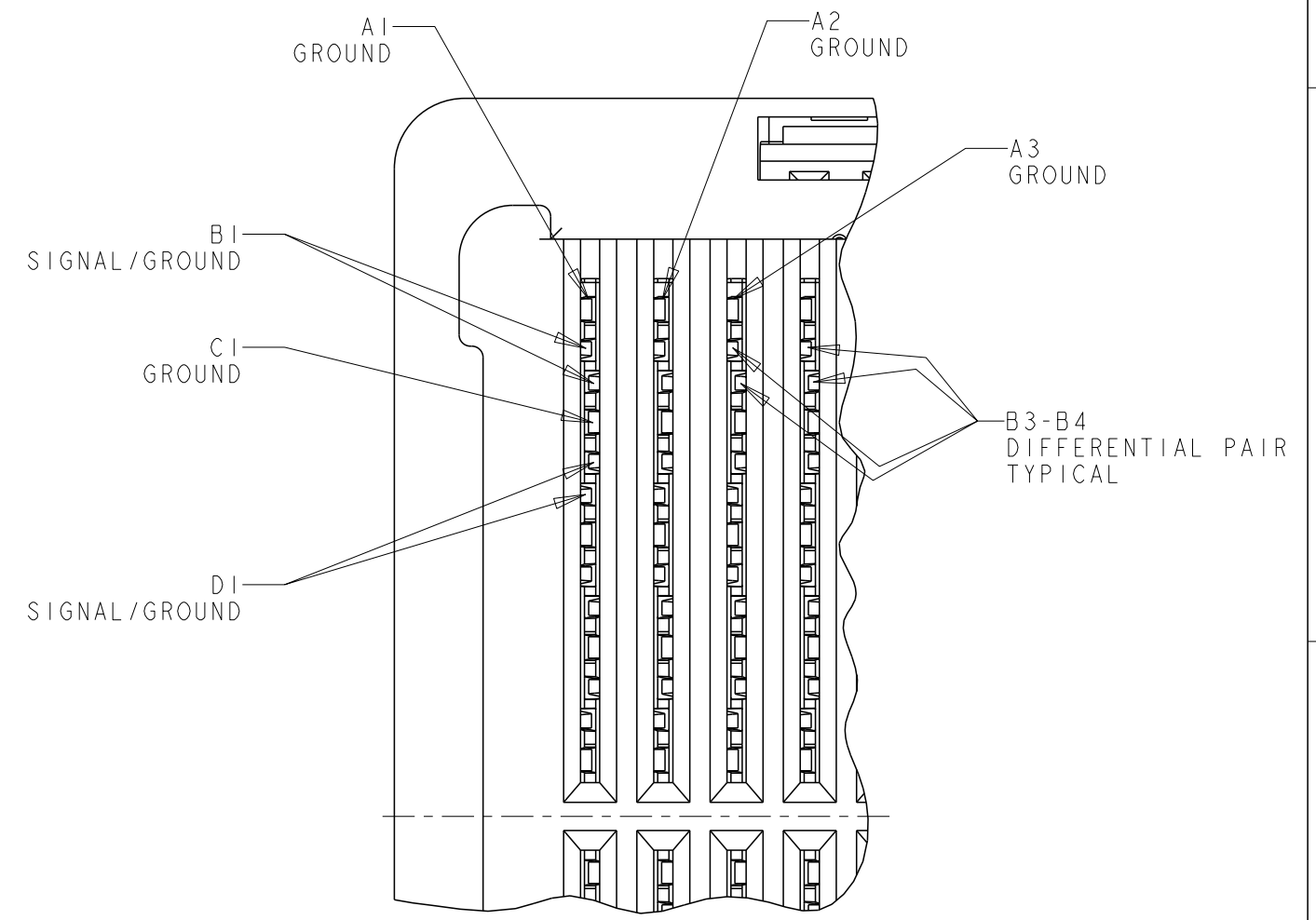


SECTION B-B



VIEW 33  
SELECT LOAD 120 POSITION  
BOARD PATTERN  
SCALE 3:2

| REVISIONS |     |             |      |     |      |
|-----------|-----|-------------|------|-----|------|
| P         | LTR | DESCRIPTION | DATE | DWN | APVD |
| -         | -   | SEE SHEET 1 | -    | -   | -    |
|           |     |             |      |     |      |
|           |     |             |      |     |      |

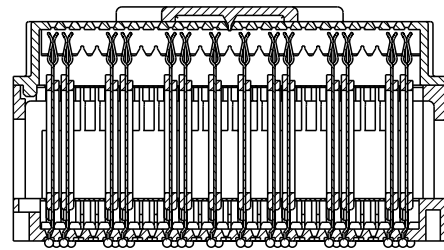
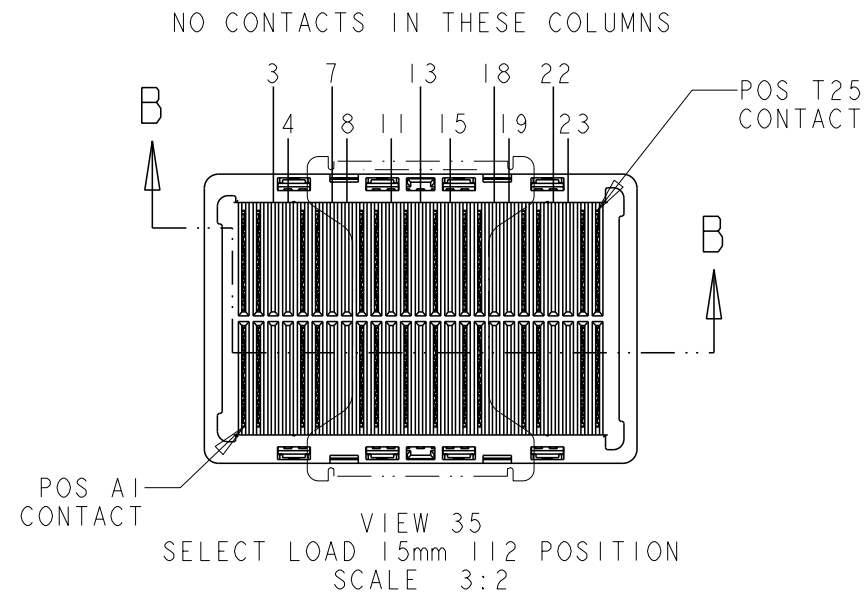


RECEPTACLE INTERFACE  
SCALE 8:1

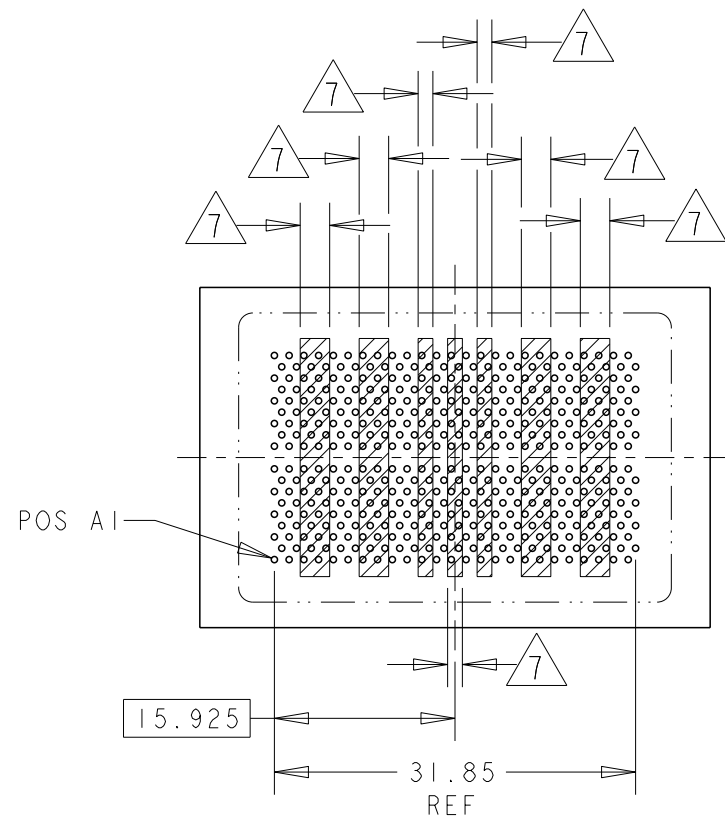
|                                        |  |                               |                                                             |                    |                         |
|----------------------------------------|--|-------------------------------|-------------------------------------------------------------|--------------------|-------------------------|
| THIS DRAWING IS A CONTROLLED DOCUMENT. |  | DWN<br>P BRANDBERG<br>21DEC04 |                                                             |                    |                         |
| DIMENSIONS:<br>mm                      |  | CHK<br>D WERTZ<br>05JAN05     |                                                             |                    |                         |
| TOLERANCES UNLESS OTHERWISE SPECIFIED: |  | APVD<br>D WERTZ<br>05JAN05    | NAME<br>STEP-Z, RECEPTACLE ASSEMBLY,<br>200 SIGNAL POSITION |                    |                         |
| 0 PLC ±-                               |  | PRODUCT SPEC<br>108-2143      | SIZE<br>A3                                                  | CAGE CODE<br>00779 | DRAWING NO<br>C-1761615 |
| 1 PLC ±0.3                             |  | APPLICATION SPEC<br>114-13101 | RESTRICTED TO                                               |                    |                         |
| 2 PLC ±0.10                            |  | WEIGHT<br>-                   | SCALE 2:1                                                   |                    |                         |
| 3 PLC ±0.050                           |  | MATERIAL                      | SHEET 5 OF 6                                                |                    |                         |
| 4 PLC ±-                               |  |                               | REV A6                                                      |                    |                         |
| ANGLES ±2°                             |  | CUSTOMER DRAWING              |                                                             |                    |                         |

printed on 26 Apr 2021 11:11 from FRO19828

| P | LTR | DESCRIPTION | DATE | DWN | APVD |
|---|-----|-------------|------|-----|------|
| - |     | SEE SHEET 1 | -    | -   | -    |
|   |     |             |      |     |      |
|   |     |             |      |     |      |



SECTION B - B



|                                                                                                                                                                 |  |                               |                                                             |                    |                         |
|-----------------------------------------------------------------------------------------------------------------------------------------------------------------|--|-------------------------------|-------------------------------------------------------------|--------------------|-------------------------|
| THIS DRAWING IS A CONTROLLED DOCUMENT.                                                                                                                          |  | DWN<br>P BRANDBERG<br>21DEC04 |                                                             |                    |                         |
| DIMENSIONS:<br>mm                                                                                                                                               |  | CHK<br>D WERTZ<br>05JAN05     |                                                             |                    |                         |
| TOLERANCES UNLESS OTHERWISE SPECIFIED:                                                                                                                          |  | APVD<br>D WERTZ<br>05JAN05    | NAME<br>STEP-Z, RECEPTACLE ASSEMBLY,<br>200 SIGNAL POSITION |                    |                         |
| <ul style="list-style-type: none"> <li>0 PLC ±-</li> <li>1 PLC ±0.3</li> <li>2 PLC ±0.10</li> <li>3 PLC ±0.050</li> <li>4 PLC ±-</li> <li>ANGLES ±2°</li> </ul> |  | PRODUCT SPEC<br>108-2143      | RESTRICTED TO                                               |                    |                         |
| MATERIAL                                                                                                                                                        |  | APPLICATION SPEC<br>114-13101 | SIZE<br>A3                                                  | CAGE CODE<br>00779 | DRAWING NO<br>C-1761615 |
| FINISH                                                                                                                                                          |  | WEIGHT<br>-                   | SCALE<br>2:1                                                |                    |                         |
|                                                                                                                                                                 |  | CUSTOMER DRAWING              | SHEET<br>6 OF 6                                             |                    |                         |
|                                                                                                                                                                 |  |                               | REV<br>A6                                                   |                    |                         |

printed on 26 Apr 2021 11:11 from FRO19828

## X-ON Electronics

Largest Supplier of Electrical and Electronic Components

*Click to view similar products for [Board to Board & Mezzanine Connectors](#) category:*

*Click to view products by [TE Connectivity](#) manufacturer:*

Other Similar products are found below :

[589158040000018](#) [MDF7C-18P-2.54DSA\(55\)](#) [FCN-230C068-11](#) [FCN-268F012-G/BD](#) [FCN-268F036-G/BD](#) [FCN-268M012-G/0D](#) [FCN-268M024-G/1D](#) [FCN-723J004/1](#) [MIS-048-01-F-D-DP-K](#) [832-10-034-10-001000](#) [FX4C-80S-1.27DSA](#) [FCN-214Q030-G/0](#) [FCN-234P048-G/0](#) [FCN-235D050-G/C](#) [210-93-314-41-105000](#) [2-22603-0](#) [MDF7-40DP-2.54DSA\(55\)](#) [AXG720047](#) [5031084030](#) [MIT-114-03-F-D-K](#) [55323-1519](#) [DF33-2P-3.3DSA\(24\)](#) [YFT-20-05-H-03-SB-K](#) [503308-3040](#) [026-6203-PDB](#) [027-6203-PDB](#) [069159702701000](#) [10123981-102LF](#) [101A10019X](#) [55650-0588-C](#) [68682-310LF](#) [68684-306](#) [75140-7012](#) [87471-650](#) [194261-1](#) [FCN-268F024-G0D](#) [10124054-515LF](#) [68685-603](#) [8-1616154-3](#) [MIS-019-01-F-D](#) [FCN-268M024-G/3D](#) [20021832-06016C1LF](#) [KX15-20KLDL-E1000E](#) [MDF7-16DP-2.54DSA\(55\)](#) [AXE810124](#) [FCN-214J100-G/0](#) [FCN-230C068-E/S](#) [AXE812124](#) [AXE816124](#) [AXE720127](#)