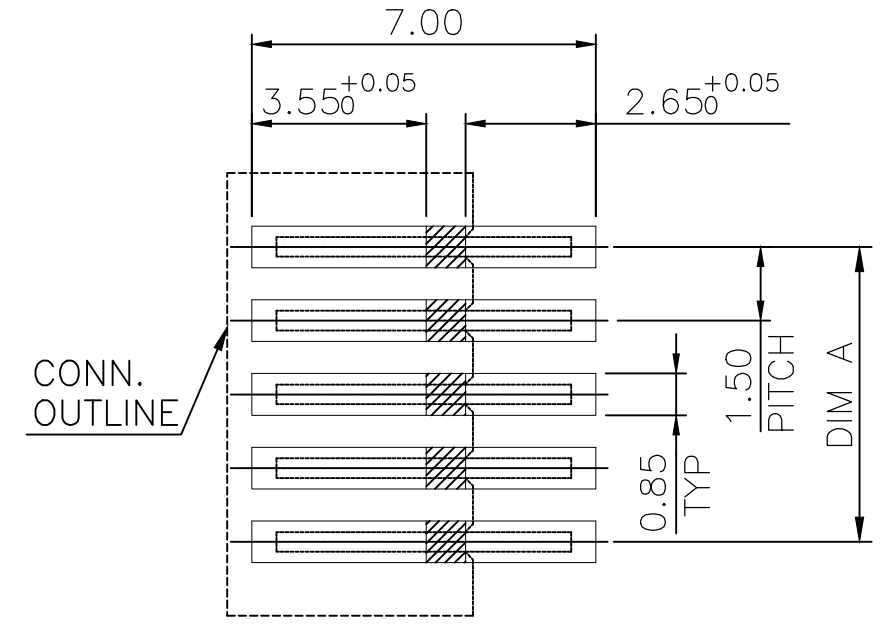
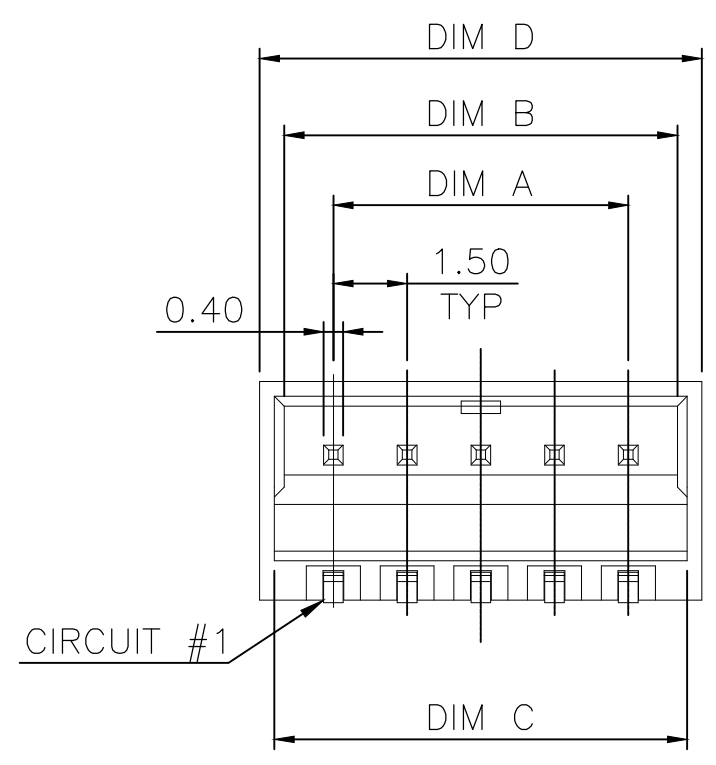


THIS DRAWING IS UNPUBLISHED. RELEASED FOR PUBLICATION
 © COPYRIGHT - TE Connectivity Ltd. ALL RIGHTS RESERVED.

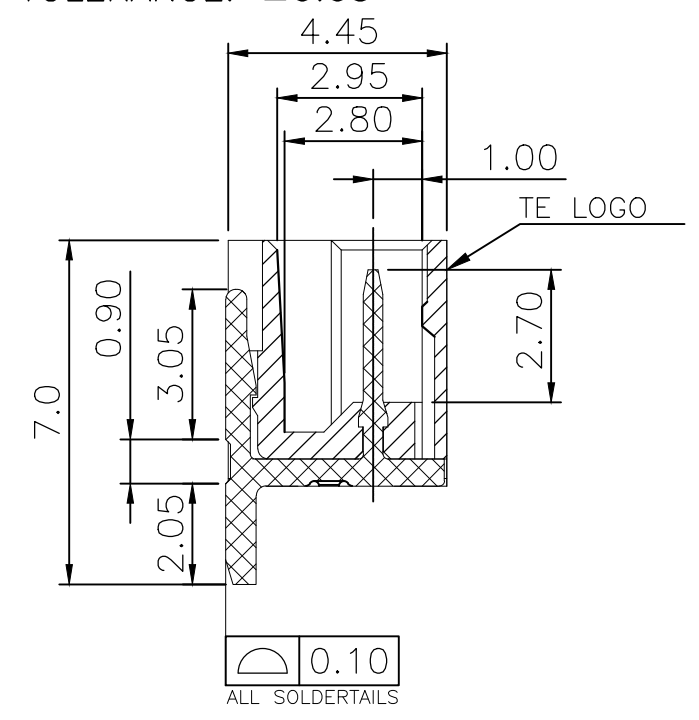
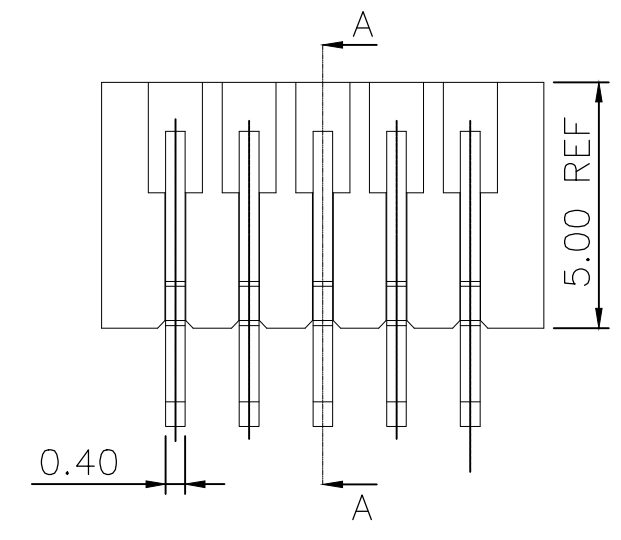
| REVISIONS | | | | |
|-----------|-----|---------------|-----------|---------|
| P | LTR | DESCRIPTION | DATE | APVD |
| | A5 | ECR-19-002226 | 13FEB2019 | T.Q W.H |



WITHOUT SOLDER AREA
 RECOMMENDED PCB LAYOUT
 TOLERANCE: ±0.05

NOTES:

- MATERIALS:
HOUSING: THERMOPLASTIC, UL94-V0, COLOR: NATURAL.
TERMINAL: BRASS, THICKNESS=0.4mm.
- FINISH:
TERMINAL: 100μ" MIN. BRIGHT TIN PLATED OVER
50μ" MIN. NICKEL UNDERPLATED ALL OVER.
- TERMINAL RETENTION FORCE: 1.0 Kgf MIN.
- REFLOW SOLDER CAPABLE TO 260°C PER TE CONNECTIVITY SPEC 109-201, CONDITION B.



SECTION A-A

| PACKAGE | DIMENSIONS | | | | POS. | PART NUMBER |
|---------|------------|-------|-------|-------|-------|-------------|
| | D | C | B | A | | |
| REEL | 24.00 | 23.40 | 23.00 | 21.00 | 15 | 6-1775444-5 |
| | 22.50 | 21.90 | 21.50 | 19.50 | 14 | 6-1775444-4 |
| | 21.00 | 20.40 | 20.00 | 18.00 | 13 | 6-1775444-3 |
| | 19.50 | 18.90 | 18.50 | 16.50 | 12 | 6-1775444-2 |
| | 18.00 | 17.40 | 17.00 | 15.00 | 11 | 6-1775444-1 |
| | 16.50 | 15.90 | 15.50 | 13.50 | 10 | 6-1775444-0 |
| | 15.00 | 14.40 | 14.00 | 12.00 | 9 | 5-1775444-9 |
| | 13.50 | 12.90 | 12.50 | 10.50 | 8 | 5-1775444-8 |
| | 12.00 | 11.40 | 11.00 | 9.00 | 7 | 5-1775444-7 |
| | 10.50 | 9.90 | 9.50 | 7.50 | 6 | 5-1775444-6 |
| | 9.00 | 8.40 | 8.00 | 6.00 | 5 | 5-1775444-5 |
| | 7.50 | 6.90 | 6.50 | 4.50 | 4 | 5-1775444-4 |
| | 6.00 | 5.40 | 5.00 | 3.00 | 3 | 5-1775444-3 |
| | 4.50 | 3.90 | 3.50 | 1.50 | 2 | 5-1775444-2 |
| | TUBE | 24.00 | 23.40 | 23.00 | 21.00 | 15 |
| 22.50 | | 21.90 | 21.50 | 19.50 | 14 | 1-1775444-4 |
| 21.00 | | 20.40 | 20.00 | 18.00 | 13 | 1-1775444-3 |
| 19.50 | | 18.90 | 18.50 | 16.50 | 12 | 1-1775444-2 |
| 18.00 | | 17.40 | 17.00 | 15.00 | 11 | 1-1775444-1 |
| 16.50 | | 15.90 | 15.50 | 13.50 | 10 | 1-1775444-0 |
| 15.00 | | 14.40 | 14.00 | 12.00 | 9 | 1775444-9 |
| 13.50 | | 12.90 | 12.50 | 10.50 | 8 | 1775444-8 |
| 12.00 | | 11.40 | 11.00 | 9.00 | 7 | 1775444-7 |
| 10.50 | | 9.90 | 9.50 | 7.50 | 6 | 1775444-6 |
| 9.00 | | 8.40 | 8.00 | 6.00 | 5 | 1775444-5 |
| 7.50 | | 6.90 | 6.50 | 4.50 | 4 | 1775444-4 |
| 6.00 | | 5.40 | 5.00 | 3.00 | 3 | 1775444-3 |
| 4.50 | | 3.90 | 3.50 | 1.50 | 2 | 1775444-2 |

| | | | | | |
|---|--|----------------------------|--|--|--|
| THIS DRAWING IS A CONTROLLED DOCUMENT. | | DWN Tommy Qian 08NOV2018 | TE Connectivity EMIX CONN., RIGHT ANGLE 1.5mm PITCH, HDR | | |
| DIMENSIONS: mm | | CHK Wenke He 08NOV2018 | | | |
| TOLERANCES UNLESS OTHERWISE SPECIFIED: | | APVD Wenke He 08NOV2018 | NAME | | |
| 0 PLC ± - 1 PLC ± 0.25 2 PLC ± 0.15 3 PLC ± 0.10 4 PLC ± - ANGLES ± - MATERIAL SEE NOTE FINISH SEE NOTE | | PRODUCT SPEC 108-57631 | SIZE CAGE CODE DRAWING NO RESTRICTED TO | | |
| | | APPLICATION SPEC 114-57018 | A3 00779 C-1775444 | | |
| | | WEIGHT - | CUSTOMER DRAWING SCALE - SHEET 1 OF 3 REV A5 | | |

THIS DRAWING IS UNPUBLISHED.

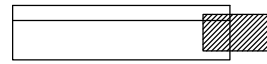
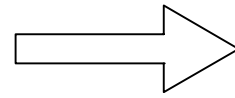
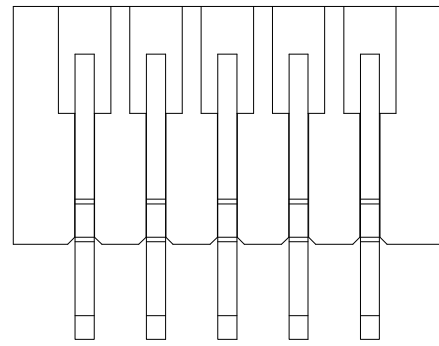
RELEASED FOR PUBLICATION

REVISIONS

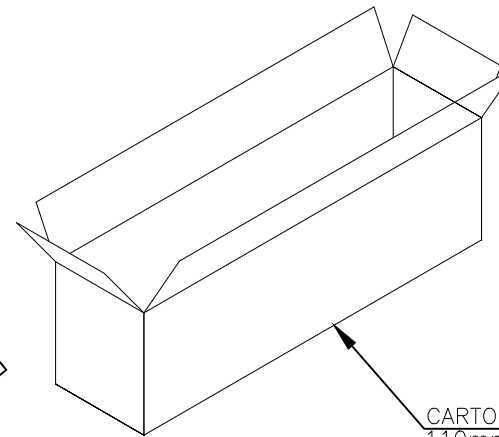
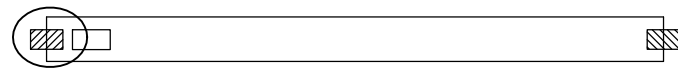
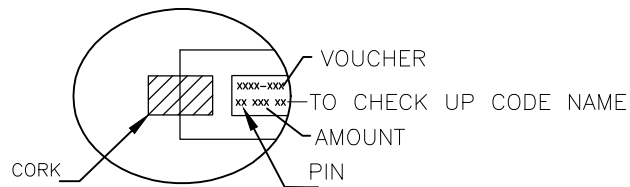
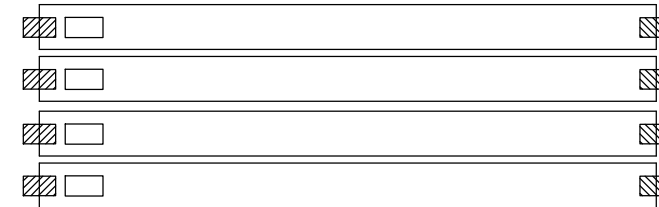
© COPYRIGHT - TE Connectivity Ltd.

ALL RIGHTS RESERVED.

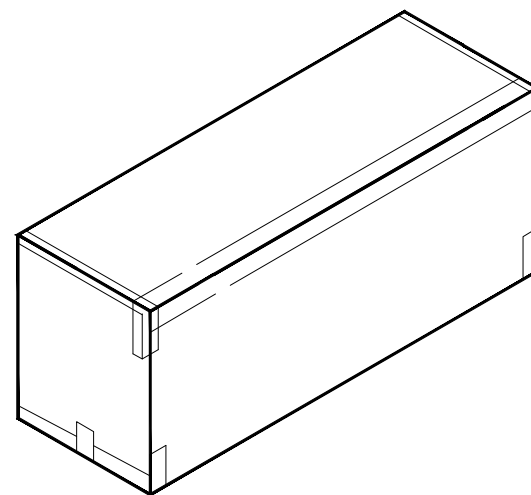
| P | LTR | DESCRIPTION | DATE | DWN | APVD |
|---|-----|-------------|------|-----|------|
| - | - | SEE SHEET 1 | - | - | - |



TUBE
600mm(L)*8.2mm(W)*9.4mm(H)



CARTON
110mm(L)*100mm(W)*615mm(H)



| 20 | 100 | 2000 | 15 | 1-1775444-5 |
|--------------|------------------|-------------------|------|-------------|
| 25 | 100 | 2500 | 14 | 1-1775444-4 |
| 25 | 100 | 2500 | 13 | 1-1775444-3 |
| 25 | 100 | 2500 | 12 | 1-1775444-2 |
| 30 | 100 | 3000 | 11 | 1-1775444-1 |
| 35 | 100 | 3500 | 10 | 1-1775444-0 |
| 35 | 100 | 3500 | 9 | 1775444-9 |
| 40 | 100 | 4000 | 8 | 1775444-8 |
| 45 | 100 | 4500 | 7 | 1775444-7 |
| 55 | 100 | 5500 | 6 | 1775444-6 |
| 60 | 100 | 6000 | 5 | 1775444-5 |
| 75 | 100 | 7500 | 4 | 1775444-4 |
| 95 | 100 | 9500 | 3 | 1775444-3 |
| 125 | 100 | 12500 | 2 | 1775444-2 |
| PCS/ TUBE | TUBES/ CARTON | QUANTITY (PCS) | POS. | PART NUMBER |

| | | | | | | | |
|---|--|------------------|--|--|---------------|-----------|--|
| THIS DRAWING IS A CONTROLLED DOCUMENT. | | DWN | TE Connectivity EMIX CONN., RIGHT ANGLE 1.5mm PITCH, HDR | | | | |
| DIMENSIONS: mm | | CHK | | | | NAME | |
| TOLERANCES UNLESS OTHERWISE SPECIFIED: | | APVD | | | | SIZE | |
| 0 PLC ± - 1 PLC ± - 2 PLC ± - 3 PLC ± - 4 PLC ± - ANGLES ± - | | PRODUCT SPEC | | | | CAGE CODE | |
| MATERIAL | | APVD | DRAWING NO | | RESTRICTED TO | | |
| FINISH | | PRODUCT SPEC | A3 00779 C-1775444 | | | | |
| | | APPLICATION SPEC | CUSTOMER DRAWING | | SCALE | | |
| | | WEIGHT | 2 of 3 | | REV A5 | | |

THIS DRAWING IS UNPUBLISHED.

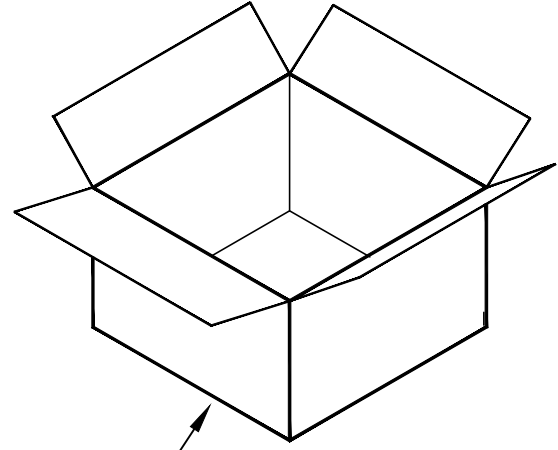
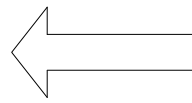
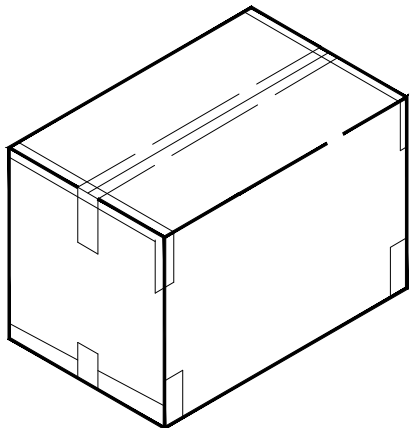
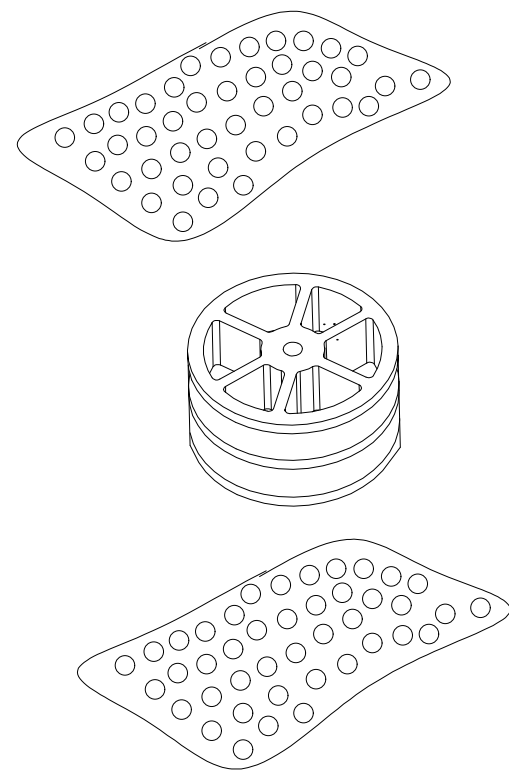
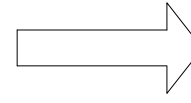
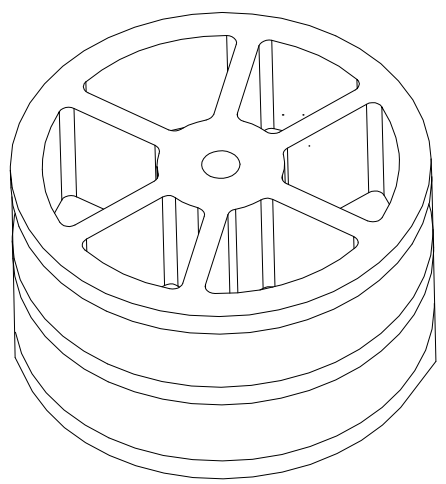
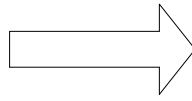
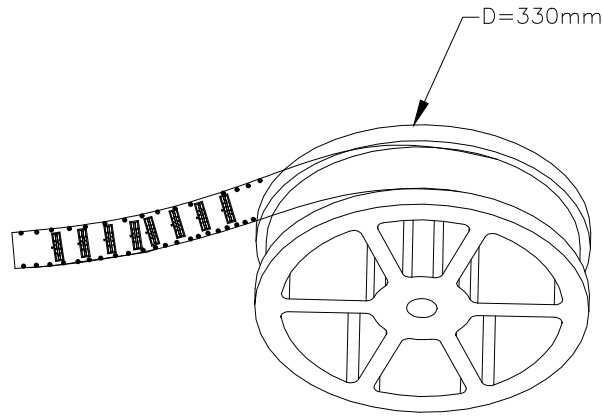
RELEASED FOR PUBLICATION

© COPYRIGHT - TE Connectivity Ltd.

ALL RIGHTS RESERVED.

REVISIONS

| P | LTR | DESCRIPTION | DATE | DWN | APVD |
|---|-----|-------------|------|-----|------|
| - | - | SEE SHEET 1 | - | - | - |



CARTON
335mm(L)*335mm(W)*480mm(H)

| 1000 | 4 | 4000 | 15 | 6-1775444-5 |
|----------|--------------|----------------|------|-------------|
| 1000 | 4 | 4000 | 14 | 6-1775444-4 |
| 1000 | 4 | 4000 | 13 | 6-1775444-3 |
| 1000 | 4 | 4000 | 12 | 6-1775444-2 |
| 1000 | 4 | 4000 | 11 | 6-1775444-1 |
| 1000 | 4 | 4000 | 10 | 6-1775444-0 |
| 1000 | 6 | 6000 | 9 | 5-1775444-9 |
| 1000 | 6 | 6000 | 8 | 5-1775444-8 |
| 1000 | 6 | 6000 | 7 | 5-1775444-7 |
| 1000 | 6 | 6000 | 6 | 5-1775444-6 |
| 1000 | 6 | 6000 | 5 | 5-1775444-5 |
| 1000 | 9 | 9000 | 4 | 5-1775444-4 |
| 1000 | 9 | 9000 | 3 | 5-1775444-3 |
| 1000 | 9 | 9000 | 2 | 5-1775444-2 |
| PCS/REEL | REELS/CARTON | QUANTITY (PCS) | POS. | PART NUMBER |

THIS DRAWING IS A CONTROLLED DOCUMENT.

| DIMENSIONS: | TOLERANCES UNLESS OTHERWISE SPECIFIED: |
|-------------|--|
| mm | |
| | 0 PLC ± - |
| | 1 PLC ± - |
| | 2 PLC ± - |
| | 3 PLC ± - |
| | 4 PLC ± - |
| | ANGLES ± - |
| MATERIAL | FINISH |

| | |
|------------------|---|
| DWN | - |
| CHK | - |
| APVD | - |
| PRODUCT SPEC | - |
| APPLICATION SPEC | - |
| WEIGHT | - |
| CUSTOMER DRAWING | |

STE TE Connectivity

EMIX CONN., RIGHT ANGLE
1.5mm PITCH, HDR

| | | | |
|------|-----------|------------|---------------|
| SIZE | CAGE CODE | DRAWING NO | RESTRICTED TO |
| A3 | 00779 | C-1775444 | - |

SCALE - SHEET 3 of 3 REV A5

X-ON Electronics

Largest Supplier of Electrical and Electronic Components

Click to view similar products for [Headers & Wire Housings](#) category:

Click to view products by [TE Connectivity](#) manufacturer:

Other Similar products are found below :

[95000-104TRLF](#) [10135584-644402LF](#) [DF62W-EP2022PCA](#) [95000-106TRLF](#) [DF62W-2022SCA](#) [DF62W-EP2022PC](#) [2203348](#) [DF62W-2022SC](#) [1084018](#) [1029039](#) [1084017](#) [802-10-012-10-002000](#) [1112640](#) [1112639](#) [000-34000](#) [0009482033](#) [0009507031](#) [57102-S06-03LF](#) [57202-S52-04LF](#) [PCN6-15S-2.5E](#) [0039019024](#) [58102-G61-06LF](#) [582553-1](#) [0009508121](#) [0050291907](#) [018731A](#) [LY20-4P-DT1-P1E-BR](#) [02.125.8002.8](#) [60101931](#) [60598-1 \(Cut Strip\)](#) [M1625-3R/100](#) [61062-3](#) [61082-181009](#) [636-1427](#) [638009-1](#) [641938-9](#) [641991-4](#) [644168-1](#) [647662-1](#) [65039-019ELF](#) [65817-002LF](#) [65817-015LF](#) [65863-015LF](#) [66207-023LF](#) [67016-026LF](#) [67046-001LF](#) [67095-007LF](#) [68002-116](#) [68016-236H](#) [68648-049](#)