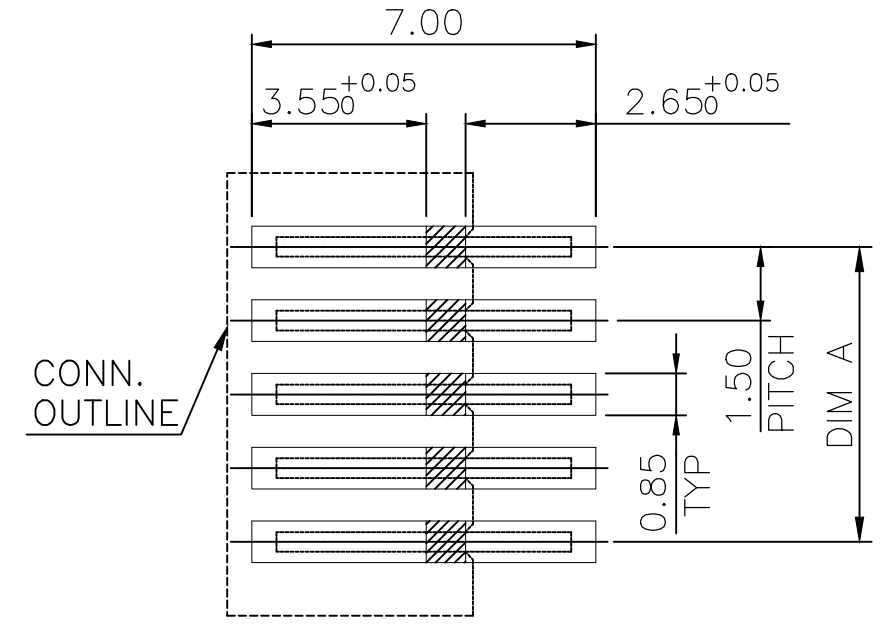
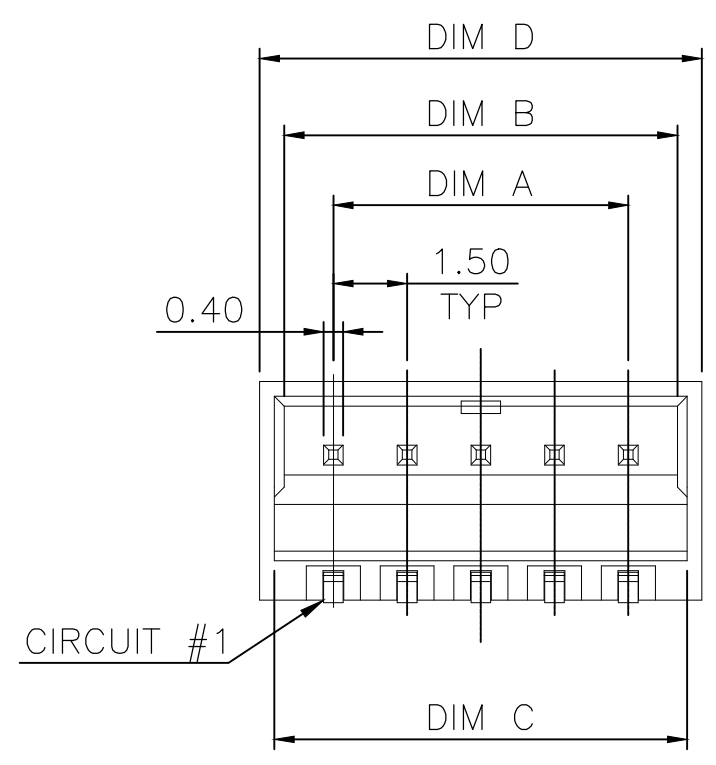


THIS DRAWING IS UNPUBLISHED. RELEASED FOR PUBLICATION
 © COPYRIGHT - TE Connectivity Ltd. ALL RIGHTS RESERVED.

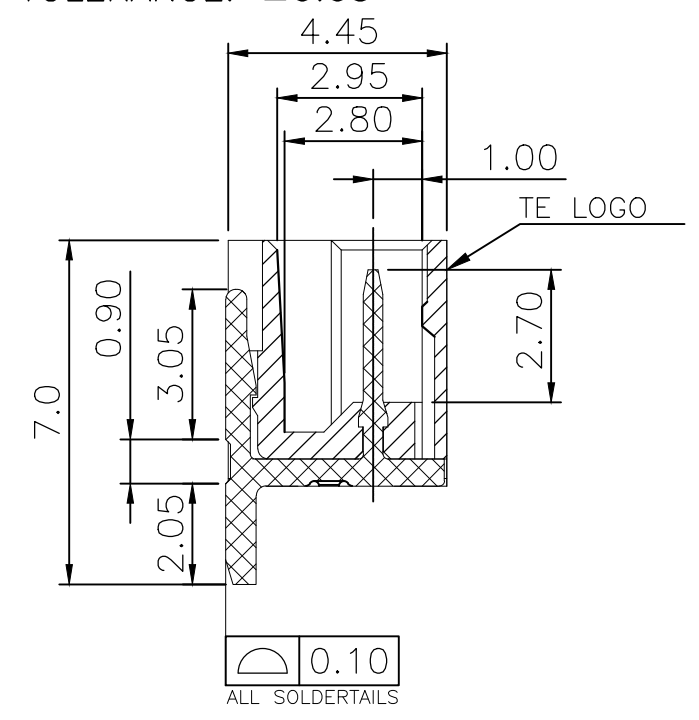
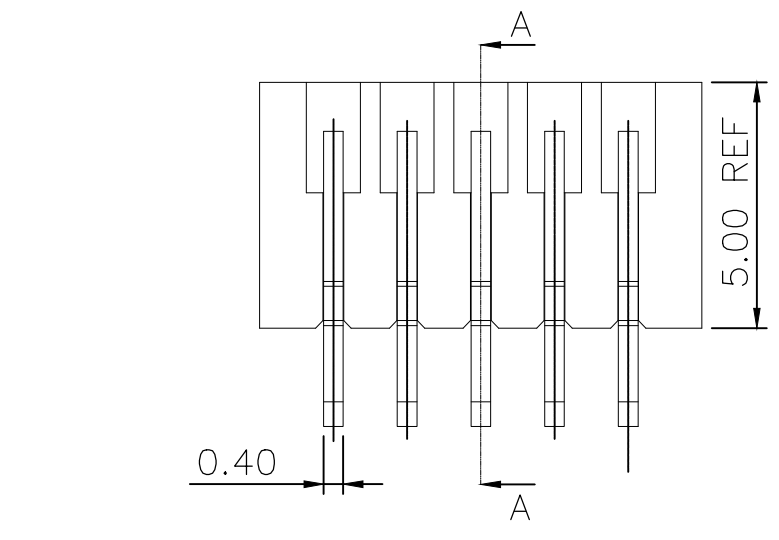
REVISIONS				
P	LTR	DESCRIPTION	DATE	APVD
	A5	ECR-19-002226	13FEB2019	T.Q W.H



WITHOUT SOLDER AREA
 RECOMMENDED PCB LAYOUT
 TOLERANCE: ±0.05

NOTES:

- MATERIALS:
 HOUSING: THERMOPLASTIC, UL94-V0, COLOR: NATURAL.
 TERMINAL: BRASS, THICKNESS=0.4mm.
- FINISH:
 TERMINAL: 100µ" MIN. BRIGHT TIN PLATED OVER
 50µ" MIN. NICKEL UNDERPLATED ALL OVER.
- TERMINAL RETENTION FORCE: 1.0 Kgf MIN.
- REFLOW SOLDER CAPABLE TO 260°C PER TE CONNECTIVITY SPEC 109-201, CONDITION B.



SECTION A-A

PACKAGE	DIMENSIONS				POS.	PART NUMBER
	D	C	B	A		
REEL	24.00	23.40	23.00	21.00	15	6-1775444-5
	22.50	21.90	21.50	19.50	14	6-1775444-4
	21.00	20.40	20.00	18.00	13	6-1775444-3
	19.50	18.90	18.50	16.50	12	6-1775444-2
	18.00	17.40	17.00	15.00	11	6-1775444-1
	16.50	15.90	15.50	13.50	10	6-1775444-0
	15.00	14.40	14.00	12.00	9	5-1775444-9
	13.50	12.90	12.50	10.50	8	5-1775444-8
	12.00	11.40	11.00	9.00	7	5-1775444-7
	10.50	9.90	9.50	7.50	6	5-1775444-6
	9.00	8.40	8.00	6.00	5	5-1775444-5
	7.50	6.90	6.50	4.50	4	5-1775444-4
	6.00	5.40	5.00	3.00	3	5-1775444-3
	4.50	3.90	3.50	1.50	2	5-1775444-2
	TUBE	24.00	23.40	23.00	21.00	15
22.50		21.90	21.50	19.50	14	1-1775444-4
21.00		20.40	20.00	18.00	13	1-1775444-3
19.50		18.90	18.50	16.50	12	1-1775444-2
18.00		17.40	17.00	15.00	11	1-1775444-1
16.50		15.90	15.50	13.50	10	1-1775444-0
15.00		14.40	14.00	12.00	9	1775444-9
13.50		12.90	12.50	10.50	8	1775444-8
12.00		11.40	11.00	9.00	7	1775444-7
10.50		9.90	9.50	7.50	6	1775444-6
9.00		8.40	8.00	6.00	5	1775444-5
7.50		6.90	6.50	4.50	4	1775444-4
6.00		5.40	5.00	3.00	3	1775444-3
4.50		3.90	3.50	1.50	2	1775444-2

THIS DRAWING IS A CONTROLLED DOCUMENT.		DWN Tommy Qian 08NOV2018	TE Connectivity			
DIMENSIONS: mm		CHK Wenke He 08NOV2018				
TOLERANCES UNLESS OTHERWISE SPECIFIED:		APVD Wenke He 08NOV2018	NAME			
0 PLC ± - 1 PLC ± 0.25 2 PLC ± 0.15 3 PLC ± 0.10 4 PLC ± - ANGLES ± - MATERIAL SEE NOTE FINISH SEE NOTE		PRODUCT SPEC 108-57631	EMIX CONN., RIGHT ANGLE 1.5mm PITCH, HDR			
		APPLICATION SPEC 114-57018	SIZE	CAGE CODE	DRAWING NO	RESTRICTED TO
		WEIGHT -	A3	00779	C-1775444	-
CUSTOMER DRAWING			SCALE -	SHEET 1 OF 3	REV A5	

THIS DRAWING IS UNPUBLISHED.

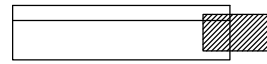
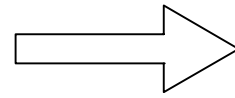
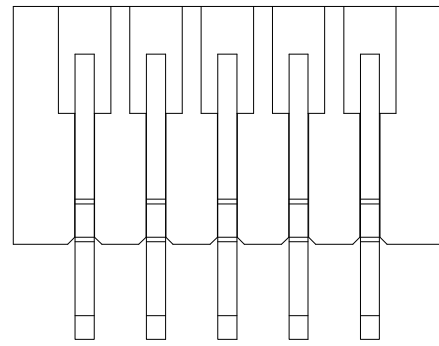
RELEASED FOR PUBLICATION

REVISIONS

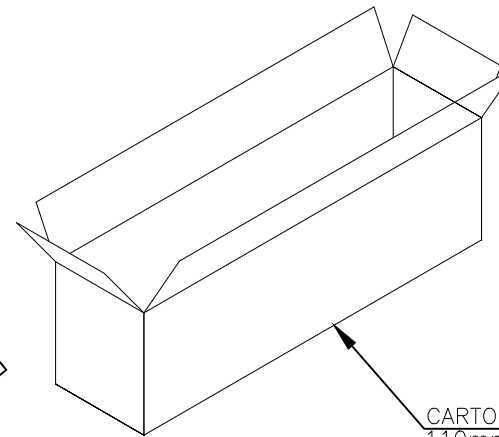
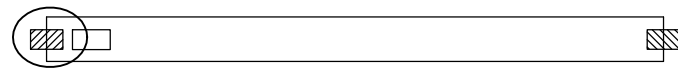
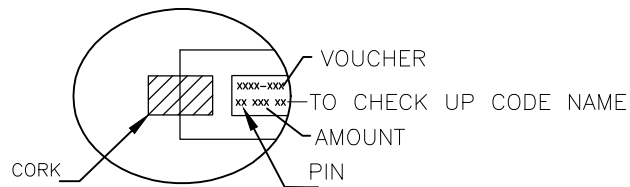
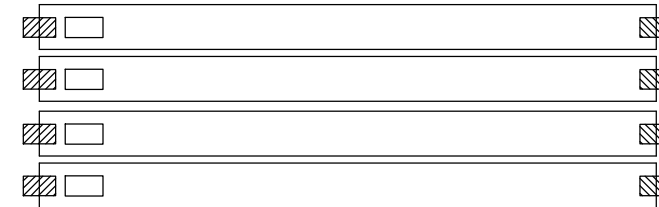
© COPYRIGHT - TE Connectivity Ltd.

ALL RIGHTS RESERVED.

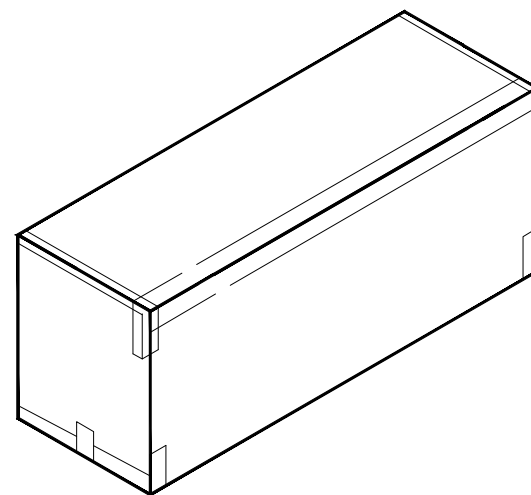
P	LTR	DESCRIPTION	DATE	DWN	APVD
-	-	SEE SHEET 1	-	-	-



TUBE
600mm(L)*8.2mm(W)*9.4mm(H)



CARTON
110mm(L)*100mm(W)*615mm(H)



20	100	2000	15	1-1775444-5
25	100	2500	14	1-1775444-4
25	100	2500	13	1-1775444-3
25	100	2500	12	1-1775444-2
30	100	3000	11	1-1775444-1
35	100	3500	10	1-1775444-0
35	100	3500	9	1775444-9
40	100	4000	8	1775444-8
45	100	4500	7	1775444-7
55	100	5500	6	1775444-6
60	100	6000	5	1775444-5
75	100	7500	4	1775444-4
95	100	9500	3	1775444-3
125	100	12500	2	1775444-2
PCS/ TUBE	TUBES/ CARTON	QUANTITY (PCS)	POS.	PART NUMBER

THIS DRAWING IS A CONTROLLED DOCUMENT.		DWN	TE Connectivity EMIX CONN., RIGHT ANGLE 1.5mm PITCH, HDR				
DIMENSIONS: mm		CHK					
TOLERANCES UNLESS OTHERWISE SPECIFIED:		APVD					
0 PLC ± - 1 PLC ± - 2 PLC ± - 3 PLC ± - 4 PLC ± - ANGLES ± -		PRODUCT SPEC					
MATERIAL		FINISH	APPLICATION SPEC	SIZE	CAGE CODE	DRAWING NO	RESTRICTED TO
			WEIGHT	A3	00779	C-1775444	-
CUSTOMER DRAWING			SCALE	SHEET		REV	
			-	2 of 3		A5	

THIS DRAWING IS UNPUBLISHED.

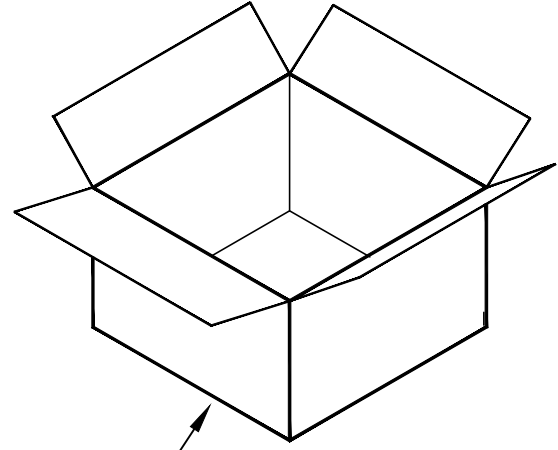
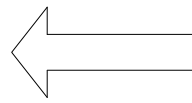
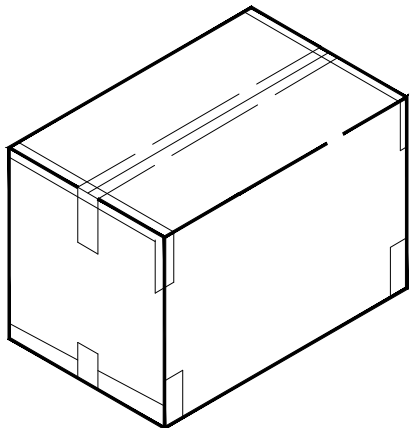
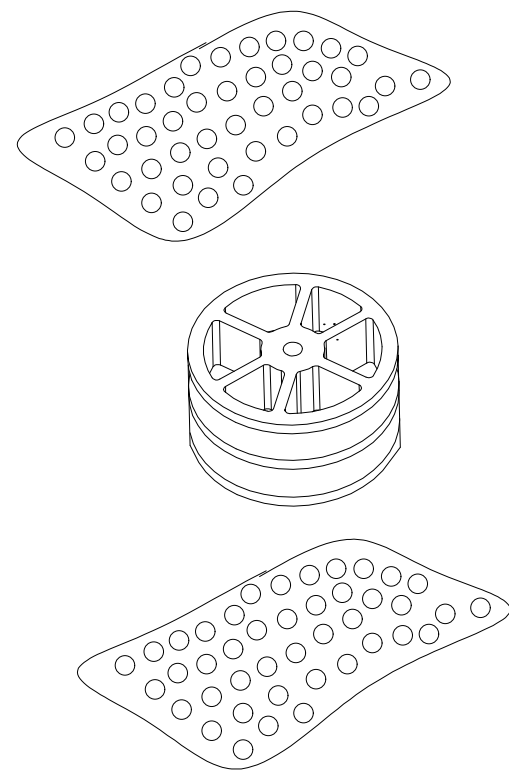
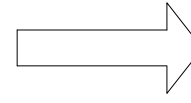
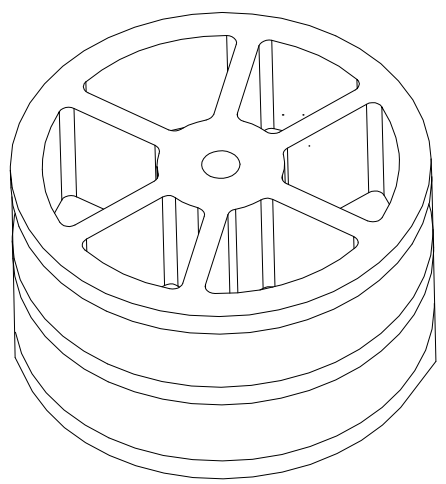
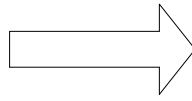
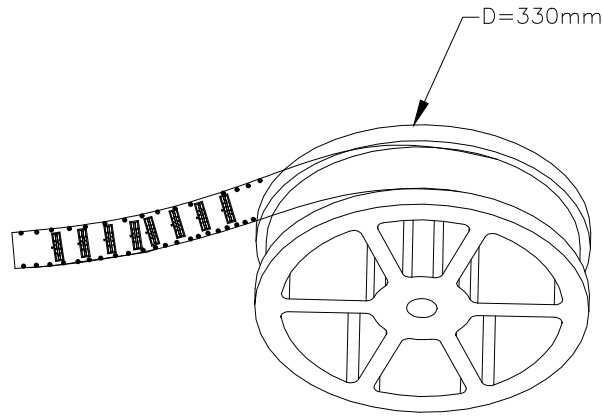
RELEASED FOR PUBLICATION

© COPYRIGHT - TE Connectivity Ltd.

ALL RIGHTS RESERVED.

REVISIONS

P	LTR	DESCRIPTION	DATE	DWN	APVD
-	-	SEE SHEET 1	-	-	-



CARTON
335mm(L)*335mm(W)*480mm(H)

1000	4	4000	15	6-1775444-5
1000	4	4000	14	6-1775444-4
1000	4	4000	13	6-1775444-3
1000	4	4000	12	6-1775444-2
1000	4	4000	11	6-1775444-1
1000	4	4000	10	6-1775444-0
1000	6	6000	9	5-1775444-9
1000	6	6000	8	5-1775444-8
1000	6	6000	7	5-1775444-7
1000	6	6000	6	5-1775444-6
1000	6	6000	5	5-1775444-5
1000	9	9000	4	5-1775444-4
1000	9	9000	3	5-1775444-3
1000	9	9000	2	5-1775444-2
PCS/REEL	REELS/CARTON	QUANTITY (PCS)	POS.	PART NUMBER

THIS DRAWING IS A CONTROLLED DOCUMENT.

DIMENSIONS:	TOLERANCES UNLESS OTHERWISE SPECIFIED:
mm	
	0 PLC ± -
	1 PLC ± -
	2 PLC ± -
	3 PLC ± -
	4 PLC ± -
	ANGLES ± -
MATERIAL	FINISH

DWN	-
CHK	-
APVD	-
PRODUCT SPEC	-
APPLICATION SPEC	-
WEIGHT	-
CUSTOMER DRAWING	

STE TE Connectivity

EMIX CONN., RIGHT ANGLE
1.5mm PITCH, HDR

SIZE	CAGE CODE	DRAWING NO	RESTRICTED TO
A3	00779	C-1775444	-

SCALE - SHEET 3 of 3 REV A5

X-ON Electronics

Largest Supplier of Electrical and Electronic Components

Click to view similar products for [Headers & Wire Housings](#) category:

Click to view products by [TE Connectivity](#) manufacturer:

Other Similar products are found below :

[892-18-020-10-001101](#) [58102-G61-06LF](#) [582553-1](#) [0009485154](#) [009176003701906](#) [0050291907](#) [LY20-4P-DT1-P1E-BR](#) [02.125.8002.8](#)
[609-3404](#) [61062-3](#) [61082-181009](#) [622-3653LF](#) [63453-116](#) [636-1030](#) [636-1427](#) [636-3427](#) [636-4007](#) [641938-9](#) [641991-4](#) [644827-2](#) [65817-010LF](#) [65817-015LF](#) [65863-015LF](#) [66207-023LF](#) [67095-007LF](#) [67601157](#) [68645-018](#) [68648-049](#) [70.362.1628.0](#) [70-4210](#) [70-4226B](#) [70-4853B](#) [707-5020](#) [707-5028](#) [71.350.2428.0](#) [71918-208LF](#) [71961-016LF](#) [733-134](#) [733-162](#) [754199-000](#) [760-3052](#) [787-8014-00](#) [79531-3000](#)
[FCN-360C032-B](#) [FCN-367T-T012/H](#) [FCN-723D010/2](#) [80.063.4001.1](#) [800-90-001-10-001000](#) [800-90-010-10-002000](#) [801-43-002-10-013000](#)