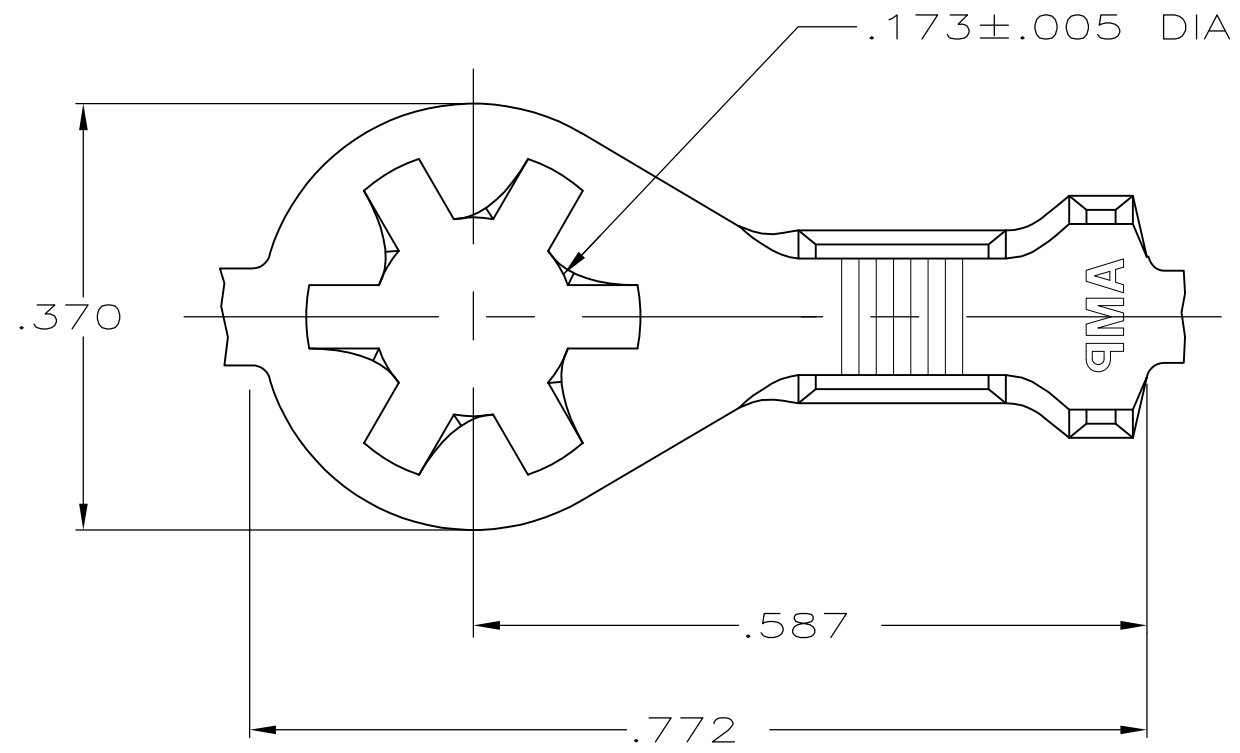
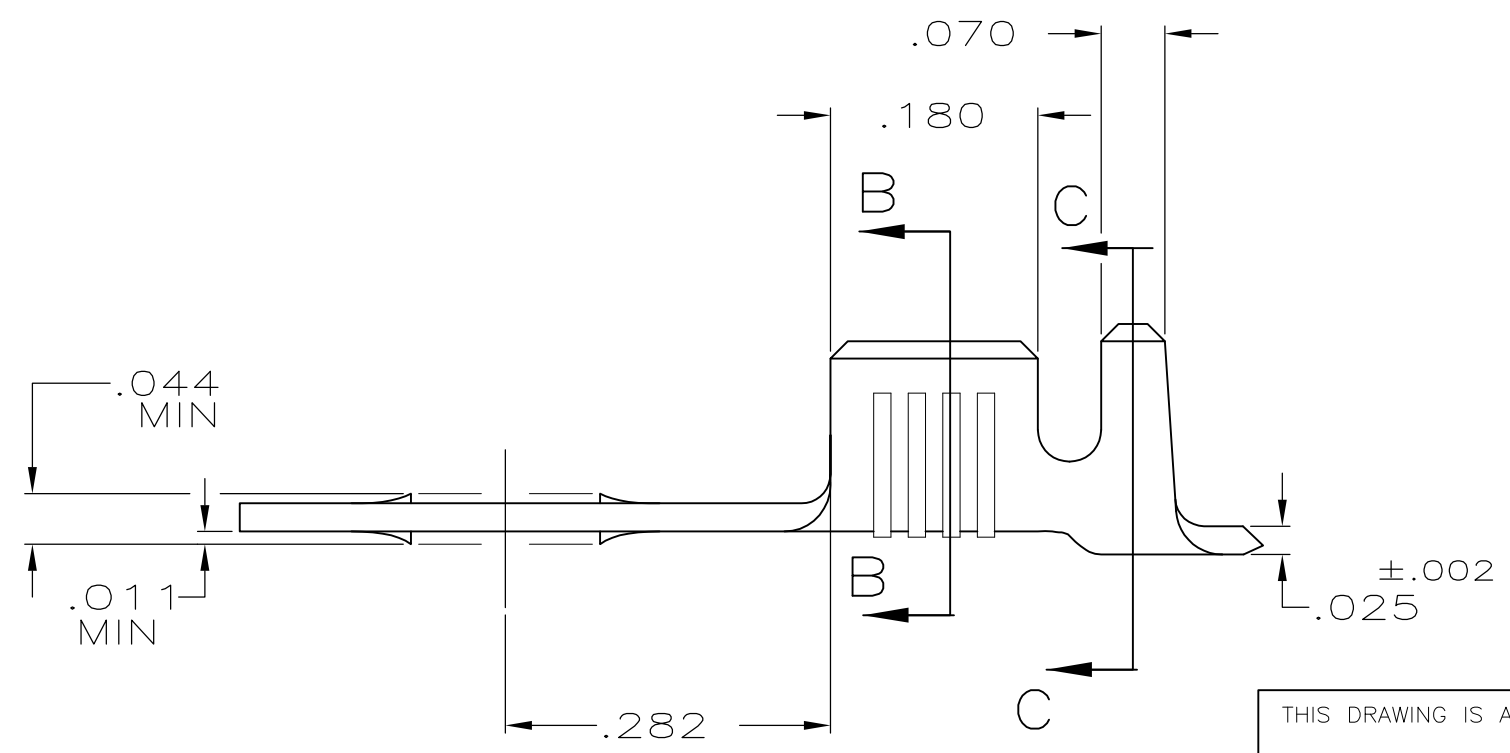
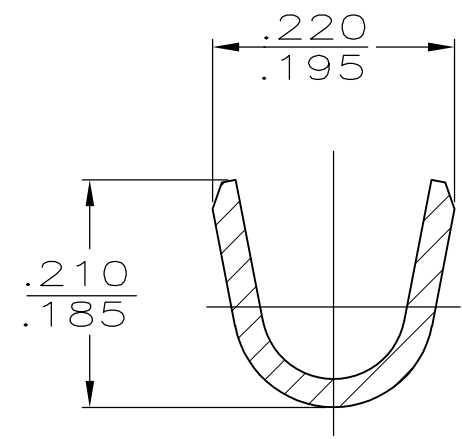
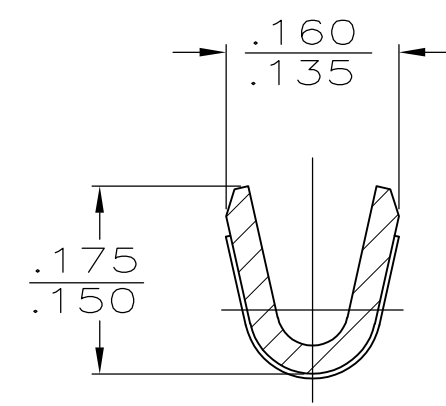


THIS DRAWING IS UNPUBLISHED. RELEASED FOR PUBLICATION
 © COPYRIGHT - By - ALL RIGHTS RESERVED.

LOC	DIST	REVISIONS					
		P	LTR	DESCRIPTION	DATE	DWN	APVD
AF	50		T1	REVISED PER ECO-11-004587	11MAR11	RK	HMR



- 1 CONTINUOUS STRIP ON REELS
- 2 REELED WITH PAPER
- 3 .000080 MIN TIN PL PER MIL-T-10727.
- 4 PRELIMINARY - NOT FOR PRODUCTION



4	3	T4 BRASS	.105-.145	18-14	61794-7	
2	3	T2 STEEL	.105-.145	18-14	61794-6	
		T4 BRASS	.105-.145	18-14	61794-4	
OBSOLETE		NICKEL PL	T2 STEEL	.105-.145	18-14	61794-3
OBSOLETE						61794-2
	3	T2 STEEL	.105-.145	18-14	61794-1	
FINISH		MATERIAL	INSULATION RANGE	WIRE SIZE	PART NO	

THIS DRAWING IS A CONTROLLED DOCUMENT.

DWN	D HOLLINGSWORTH	5/15/87	STE TE Connectivity
CHK	G YETTER	11/23/87	
APVD	RP FRANTZ	12/2/87	
NAME			
DIMENSIONS: INCHES		TOLERANCES UNLESS OTHERWISE SPECIFIED:	
		0 PLC	± -
		1 PLC	± -
		2 PLC	± -
		3 PLC	± .015
MATERIAL		FINISH	
SEE TABLE		SEE TABLE	
PRODUCT SPEC		NAME	
APPLICATION SPEC		RING	
SIZE	CAGE CODE	DRAWING NO	RESTRICTED TO
A3	00779	C-61794	-
CUSTOMER DRAWING		SCALE	SHEET
		6:1	1 OF 1
		REV	T1

X-ON Electronics

Largest Supplier of Electrical and Electronic Components

Click to view similar products for [Terminals](#) category:

Click to view products by [TE Connectivity](#) manufacturer:

Other Similar products are found below :

[00-054007-01074-6](#) [00-054007-70206-1](#) [00-054007-70210-8](#) [00-054007-70217-7](#) [00-054007-70226-9](#) [00-054007-70228-3](#) [00-054007-70248-1](#) [00-054007-70256-6](#) [00-054007-70301-3](#) [00-054007-70316-7](#) [00-054007-49560-4](#) [00-054007-70209-2](#) [00-054007-70225-2](#) [00-054007-70227-6](#) [00-054007-70231-3](#) [00-054007-70241-2](#) [00-054007-70242-9](#) [00-054007-70244-3](#) [00-054007-70246-7](#) [00-054007-70263-4](#) [00-054007-70288-7](#) [00-054007-70290-0](#) [00-054007-70300-6](#) [00-054007-70304-4](#) [01-2065-1-0216](#) [01-2900-1-04412](#) [00581P0075](#) [600TS-10](#) [60205-1](#) [604200-1](#) [605601-1](#) [60598-1-CUT-TAPE](#) [61314-6-C](#) [61810-3](#) [61-S](#) [61-SN](#) [626-0194](#) [62-NBM-A](#) [62-SN](#) [62-SP](#) [63-S](#) [640179-1](#) [M55155/059I03](#) [M55155/079C01](#) [M55155/099H02](#) [M55155/109H01](#) [M55155/109H02](#) [M55155/12XH05](#) [M55155/16XH02](#) [M55155/29-5S](#)