

THIS DRAWING IS UNPUBLISHED.

RELEASED FOR PUBLICATION

ALL RIGHTS RESERVED.

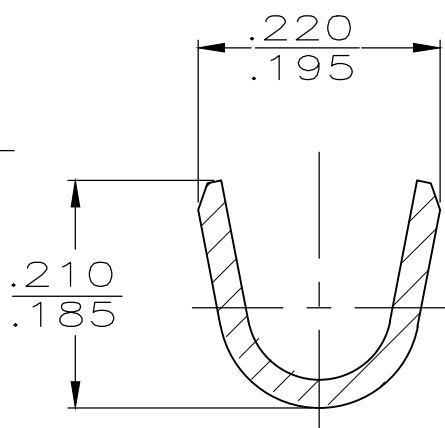
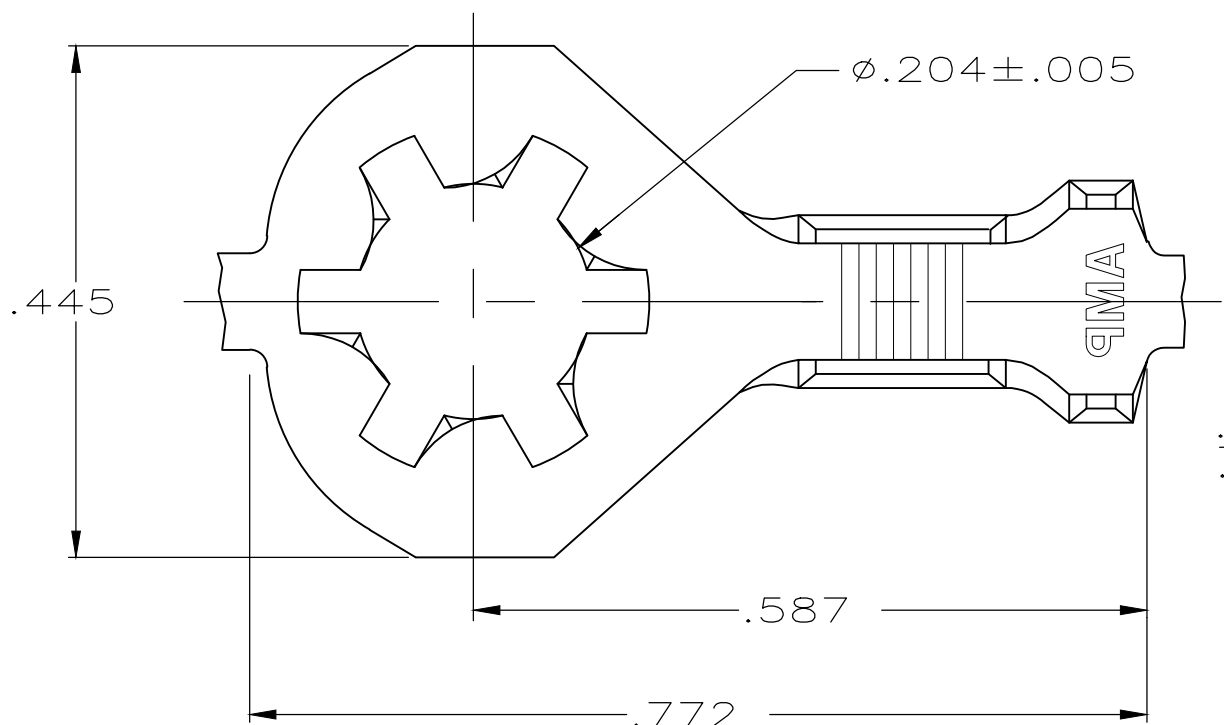
© COPYRIGHT - By -

LOC  
AF

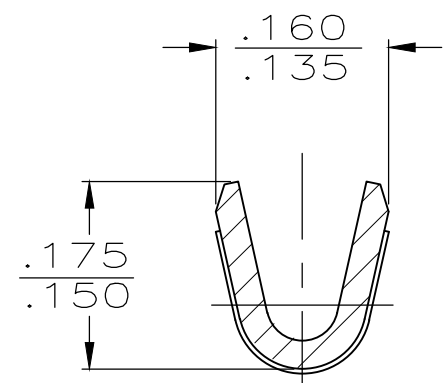
DIST  
50

REVISIONS

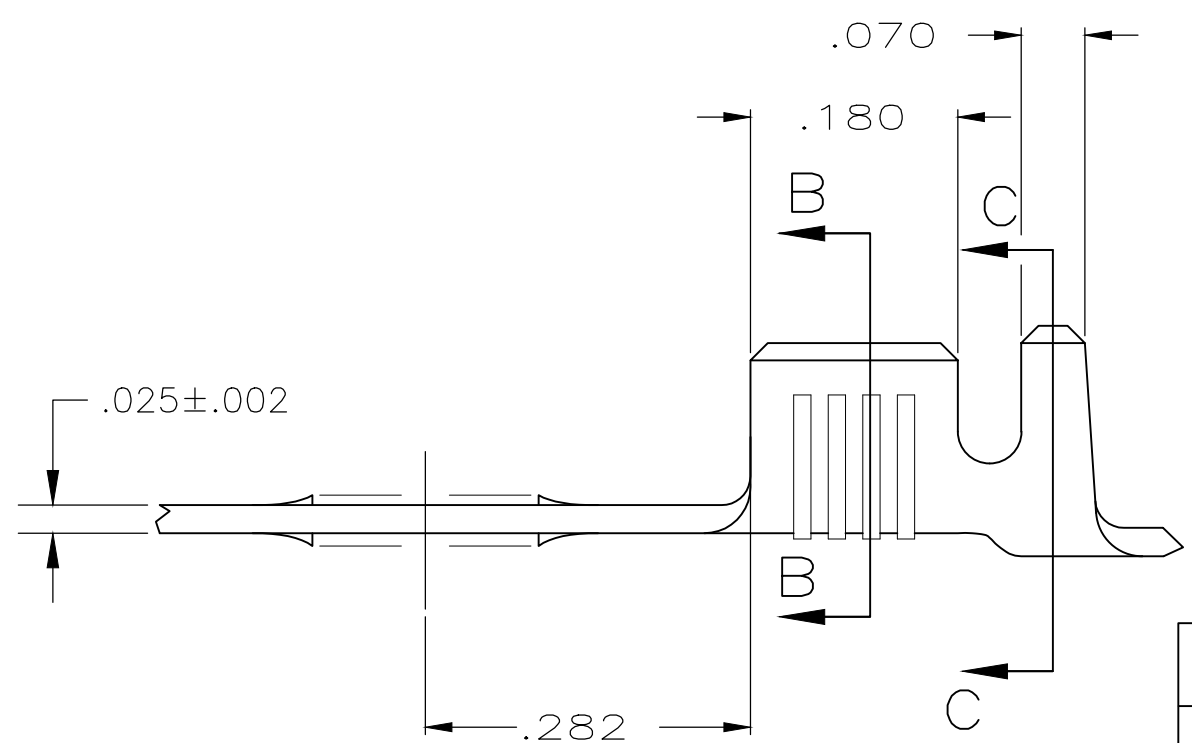
P	LTR	DESCRIPTION	DATE	DWN	APVD
	P6	REVISED PER ECR-19-008121	27MAY2019	BDA	GG



SECTION C-C



SECTION B-B



- 1 CONTINUOUS STRIP ON REELS
- 2 TIN PLATING.
- 3 WIRE SIZE IS #18-#14 AWG
- 4 INSULATION RANGE IS .105-.145 DIA
- 5 INTERLEAVING PAPER
- 6 OBSOLETE PARTS
- 7 50µin OF NICKEL UNDERPLATING AND 150 TO 300µin OF TIN PLATING

7 2	H04 BRASS	1-61795-1
5	MADE FROM 61795-3	1-61795-0
5	MADE FROM 61795-1	61795-9
6 5	<del>T2 STEEL</del>	<del>61795-7</del>
2	H04 BRASS	61795-6
2	H04 BRASS	61795-3
6	<del>---</del>	<del>61795-2</del>
2	T2 STEEL	61795-1
	FINISH	MATERIAL
		PART NO.

THIS DRAWING IS A CONTROLLED DOCUMENT.	
DIMENSIONS: INCHES	TOLERANCES UNLESS OTHERWISE SPECIFIED:
	0 PLC ± -
	1 PLC ± -
	2 PLC ± -
	3 PLC ± .015
	4 PLC ± -
	ANGLES ± -
MATERIAL SEE TABLE	FINISH SEE TABLE

DWN	5/15/87
D HOLLINGSWORTH	
CHK	11/23/87
G YETTER	
APVD	12/2/87
R FRANTZ	
PRODUCT SPEC	
---	
APPLICATION SPEC	
---	
WEIGHT	---

**STE** TE Connectivity

RING

SIZE	CAGE CODE	DRAWING NO	RESTRICTED TO
A3	00779	C-61795	---
CUSTOMER DRAWING		SCALE	SHEET
		6:1	1 OF 1
		REV	P6

## X-ON Electronics

Largest Supplier of Electrical and Electronic Components

*Click to view similar products for [Terminals](#) category:*

*Click to view products by [TE Connectivity](#) manufacturer:*

Other Similar products are found below :

[00-054007-01074-6](#) [00-054007-70206-1](#) [00-054007-70210-8](#) [00-054007-70217-7](#) [00-054007-70226-9](#) [00-054007-70228-3](#) [00-054007-70248-1](#) [00-054007-70256-6](#) [00-054007-70301-3](#) [00-054007-70316-7](#) [0-0320562-0](#) [00-054007-49560-4](#) [00-054007-70209-2](#) [00-054007-70225-2](#) [00-054007-70227-6](#) [00-054007-70231-3](#) [00-054007-70241-2](#) [00-054007-70242-9](#) [00-054007-70244-3](#) [00-054007-70246-7](#) [00-054007-70263-4](#) [00-054007-70288-7](#) [00-054007-70290-0](#) [00-054007-70300-6](#) [00-054007-70304-4](#) [01-2065-1-0216](#) [01-2900-1-04412](#) [00581P0075](#) [600TS-10](#) [60205-1](#) [604200-1](#) [605601-1](#) [60598-1-CUT-TAPE](#) [61314-6-C](#) [61810-3](#) [61-S](#) [61-SN](#) [626-0194](#) [62-NBM-A](#) [62-SN](#) [62-SP](#) [63-S](#) [640179-1](#) [M55155/059I03](#) [M55155/079C01](#) [M55155/099H02](#) [M55155/109H01](#) [M55155/109H02](#) [M55155/12XH05](#) [M55155/16XH02](#)