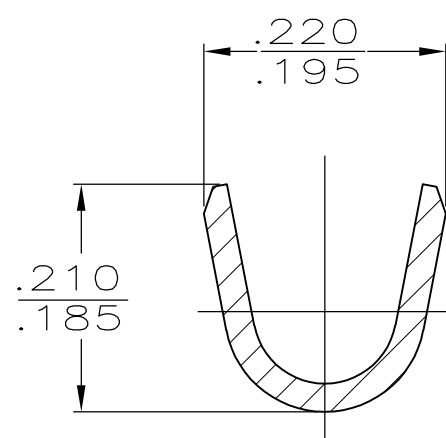
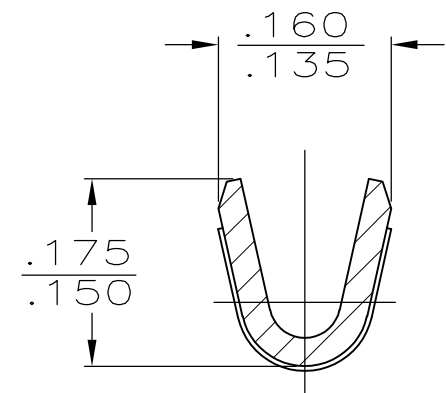
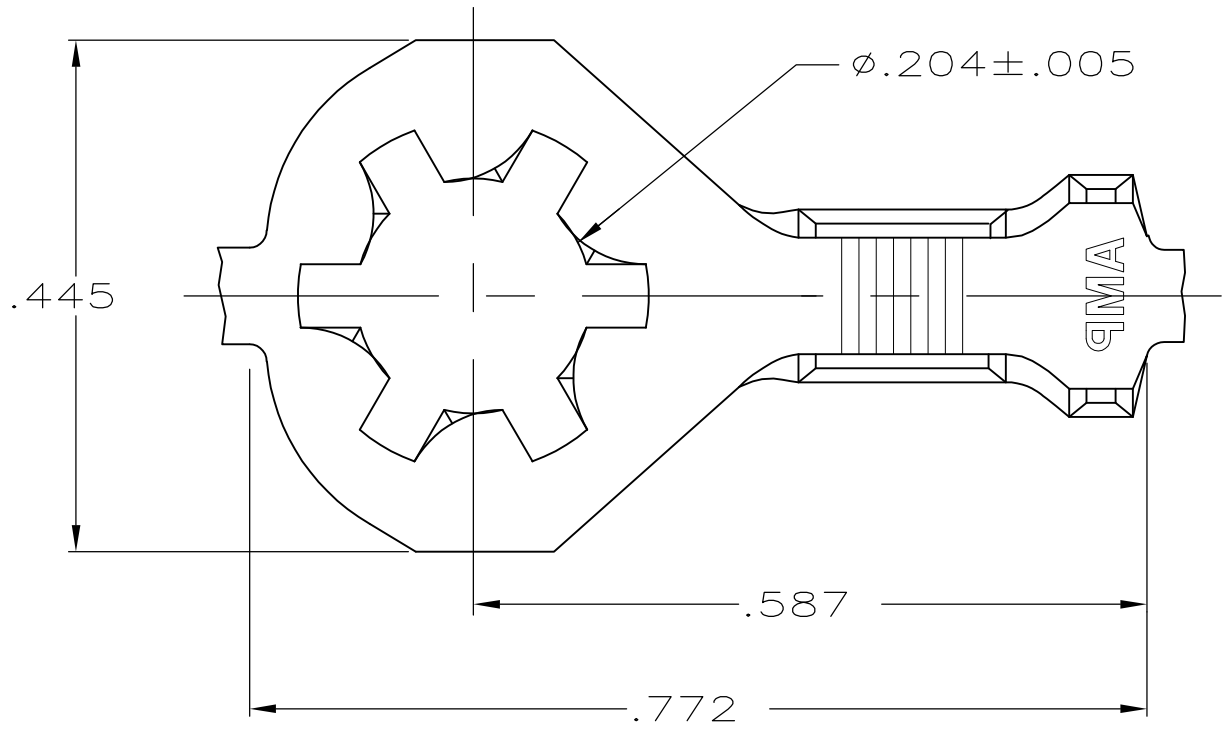


THIS DRAWING IS UNPUBLISHED. RELEASED FOR PUBLICATION
 © COPYRIGHT - By - ALL RIGHTS RESERVED.

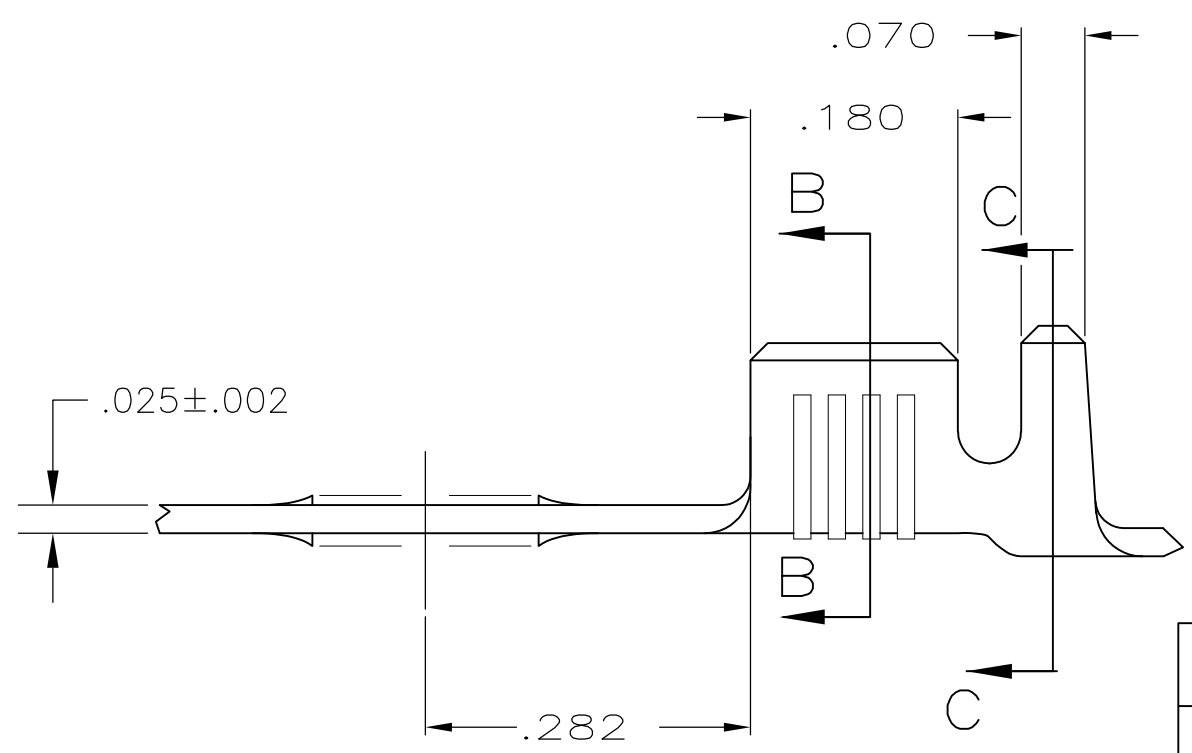
LOC	DIST	REVISIONS			
P	LTR	DESCRIPTION	DATE	DWN	APVD
AF	50	P5	REVISED PER ECR-15-010442	14JULY2015	PK TD



SECTION B-B

SECTION C-C

- 1 CONTINUOUS STRIP ON REELS
- △ 2 TIN PLATING.
- 3 WIRE SIZE IS #18-#14 AWG
- 4 INSULATION RANGE IS .105-.145 DIA
- △ 5 INTERLEAVING PAPER
- △ 6 PRELIMINARY - NOT FOR PRODUCTION



△ 5	MADE FROM 61795-3	1-61795-0
△ 5	MADE FROM 61795-1	61795-9
△ 5	△ 2 T2 STEEL	△ 6 61795-7
	H04 BRASS	61795-6
	△ 2 H04 BRASS	61795-3
	OBSOLETE	61795-2
	△ 2 T2 STEEL	61795-1
	FINISH	MATERIAL
		PART NO.

THIS DRAWING IS A CONTROLLED DOCUMENT.		DWN 5/15/87 D HOLLINGSWORTH	STE TE Connectivity	
		CHK 11/23/87 G YETTER		
		APVD 12/2/87 R FRANTZ	NAME	
DIMENSIONS: INCHES		PRODUCT SPEC	RING	
TOLERANCES UNLESS OTHERWISE SPECIFIED:		APPLICATION SPEC	RESTRICTED TO	
0 PLC ± -		WEIGHT -	SIZE A3	CAGE CODE 00779
1 PLC ± -			DRAWING NO C-61795	
2 PLC ± -			SCALE 6:1	SHEET 1 OF 1
3 PLC ± .015			REV P5	
4 PLC ± -				
ANGLES ± -				
MATERIAL SEE TABLE	FINISH SEE TABLE	CUSTOMER DRAWING		

X-ON Electronics

Largest Supplier of Electrical and Electronic Components

Click to view similar products for [Terminals](#) category:

Click to view products by [TE Connectivity](#) manufacturer:

Other Similar products are found below :

[HT-13-10](#) [71M-250-32-NB](#) [01-2065-1-0216](#) [00581P0075](#) [M10-10RX](#) [M10BCK](#) [60205-1](#) [604200-1](#) [60598-1-CUT-TAPE](#) [60617-1-C](#) [60873-1](#) [M14-516R/SK](#) [M14-6RSX](#) [M18-10FLX](#) [M18-8FBX](#) [M18-8R/LX](#) [M18BCK](#) [61314-6-C](#) [61-S](#) [61-SN-A](#) [62-NBM-A](#) [63-S](#) [640179-1](#) [640917-2-CUT-TAPE](#) [6501550002](#) [66107-2-C](#) [696683-1](#) [696834-1](#) [696861-1](#) [696931-1](#) [696999-1](#) [M8-516RK](#) [M86700006](#) [MA250DMFMX-A](#) [701-2007](#) [701-2307](#) [701-7761-03](#) [70F-110-32-PB](#) [718-N-A](#) [71M-187-20-NBL](#) [71M-250-32-NBL](#) [72F-187-20-NBL](#) [72M-250-32-NBL](#) [7310](#) [73F-250-32](#) [73F-250-32-NBL](#) [73F-250-32-NL](#) [F14-10C](#) [F-1M](#) [751-250](#)