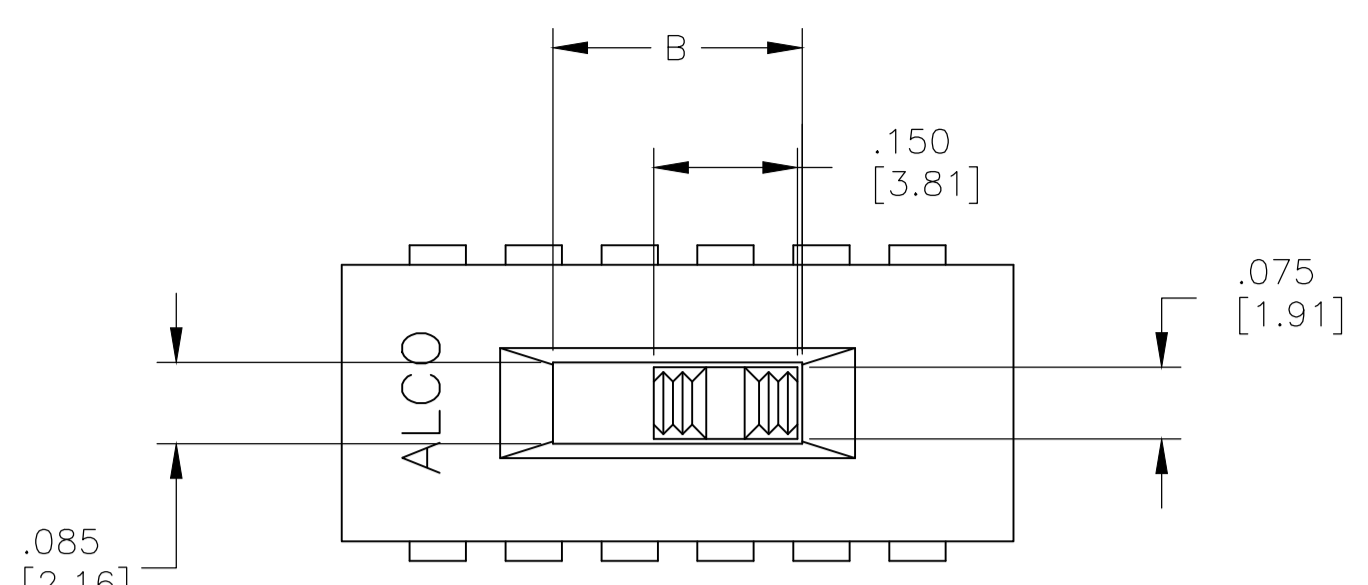
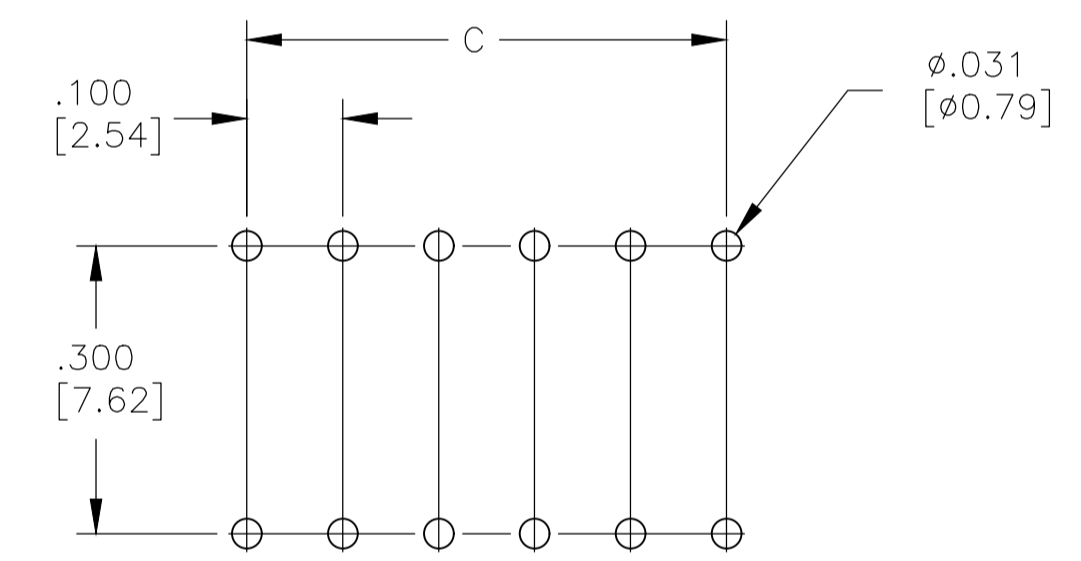
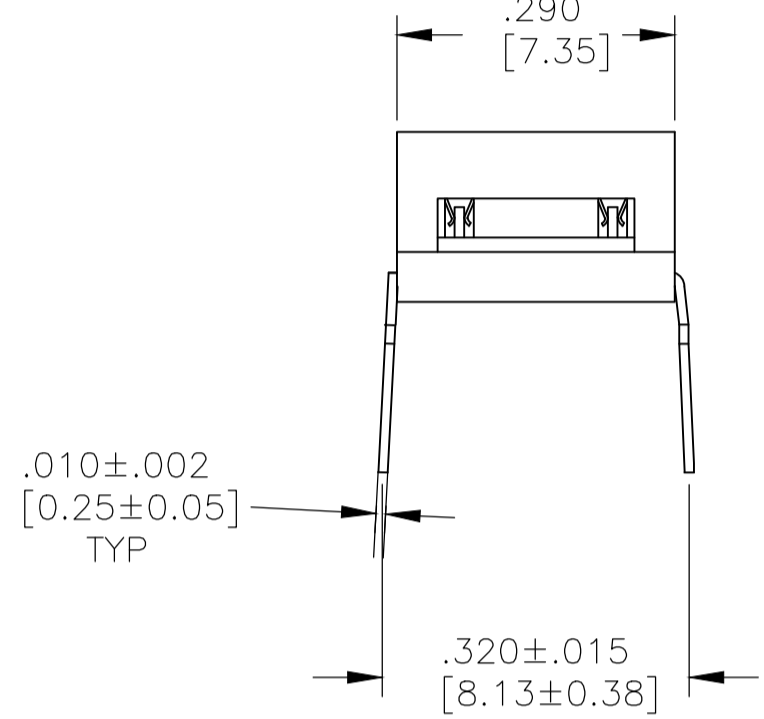
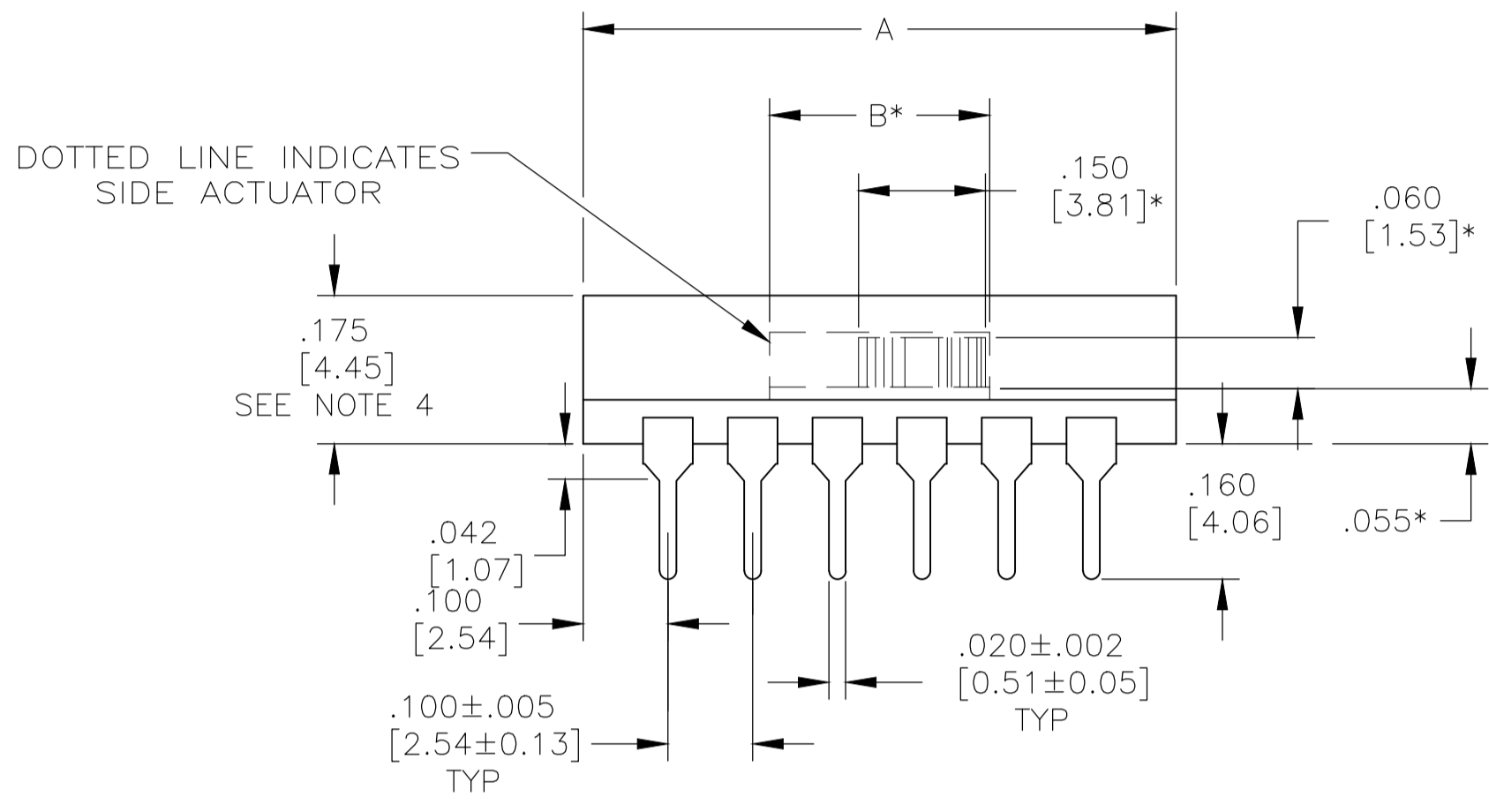


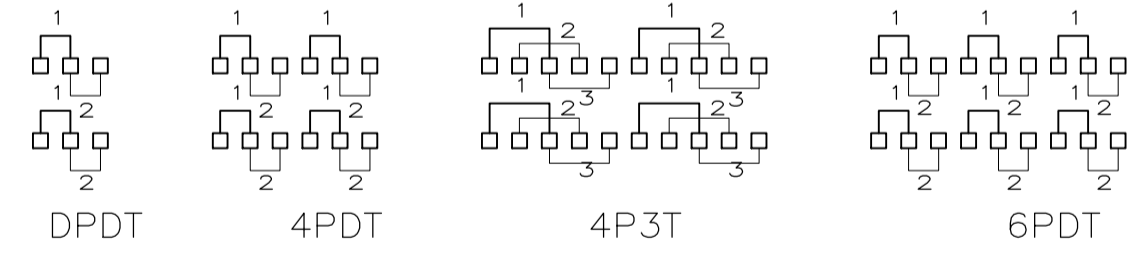
REVISIONS				
REV	DATE	BY	CHK	APP'D
B1	11MAR11	RK	HMR	
B2	25MAY2017	RK	PO	



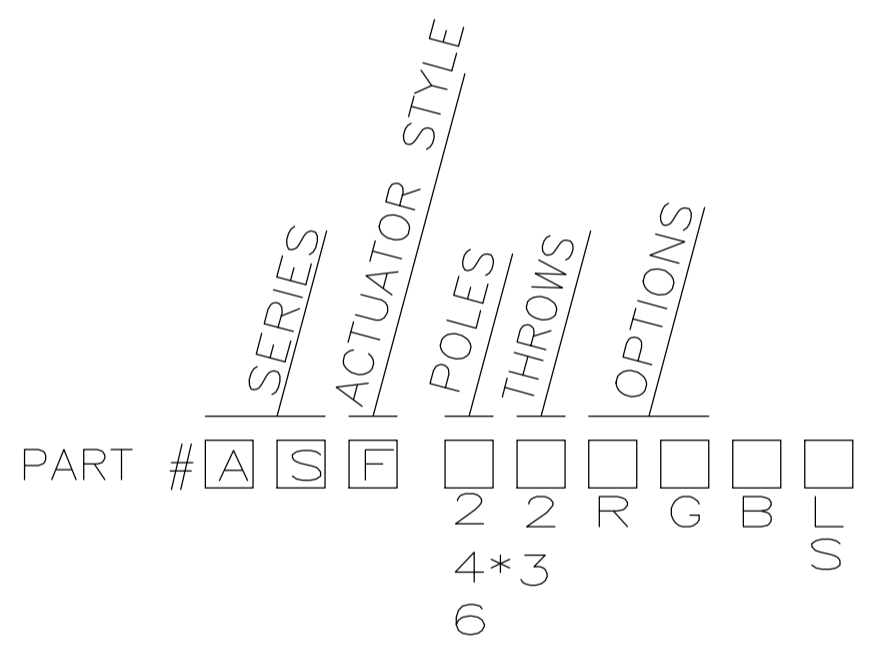
* SIDE ACTUATOR ONLY.



PRINTED CIRCUIT BOARD HOLE PATTERN



CIRCUIT DIAGRAMS



E = EXTENDED ACTUATOR
 F = FLUSH ACTUATOR
 *3 = THROW AVAILABLE
 R = SIDE ACTUATOR
 G = GOLD CONTACTS (BLANK SILVER)
 B = BLACK ACTUATOR
 L = GULL WING STYLE SURFACE MOUNT
 S = J-LEAD STYLE SURFACE MOUNT
 TR = TAPE AND REEL PACKAGING

SPECIFICATIONS:

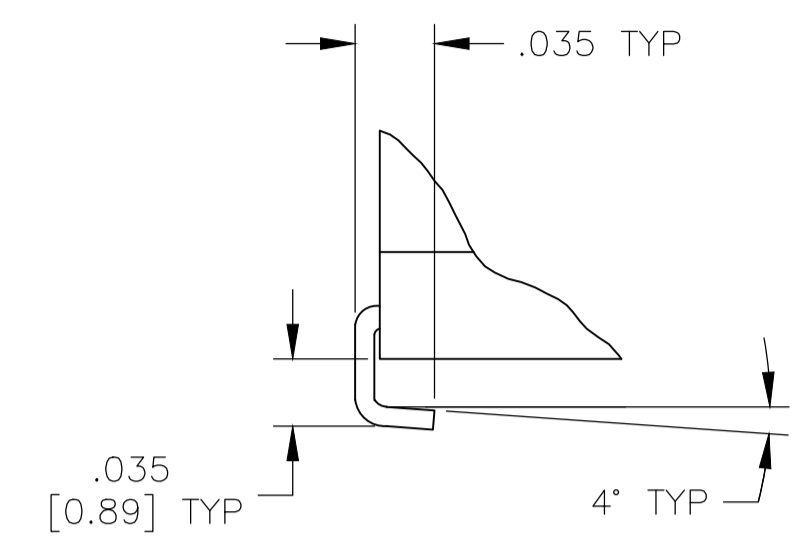
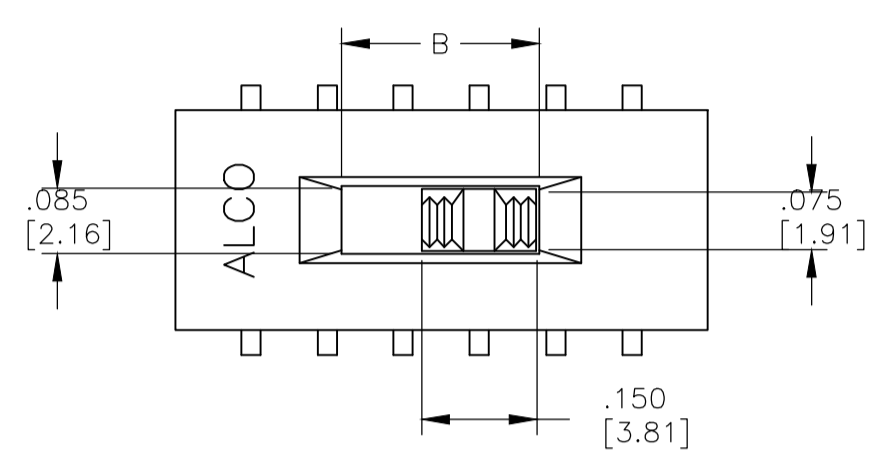
MATERIAL:
 BASE & COVER— PCT UL94V-0, BLACK.
 ACTUATOR— NYLON PA46 UL94V-0, NATURAL
 MOVING CONTACT— COPPER ALLOY,
 SILVER OR GOLD OVER NICKEL
 FIXED CONTACT— COPPER ALLOY
 SILVER OR GOLD OVER NICKEL
 TERMINAL— COPPER ALLOY TIN OVER NICKEL

ELECTRICAL:
 CONTACT RATING: SILVER: 300 MILLIAMPS @ 115 VAC.
 GOLD: 0.4 VA 20 VDC.
 CONTACT RESISTANCE: INITIAL 40 MILLIOHMS MAX.
 INSULATION RESISTANCE: 1000 MEGOHMS MAX.
 DIELECTRIC STRENGTH: 600 VOLTS RMS AT SEA LEVEL.
 LIFE EXPECTANCY: 15,000 CYCLES MIN.

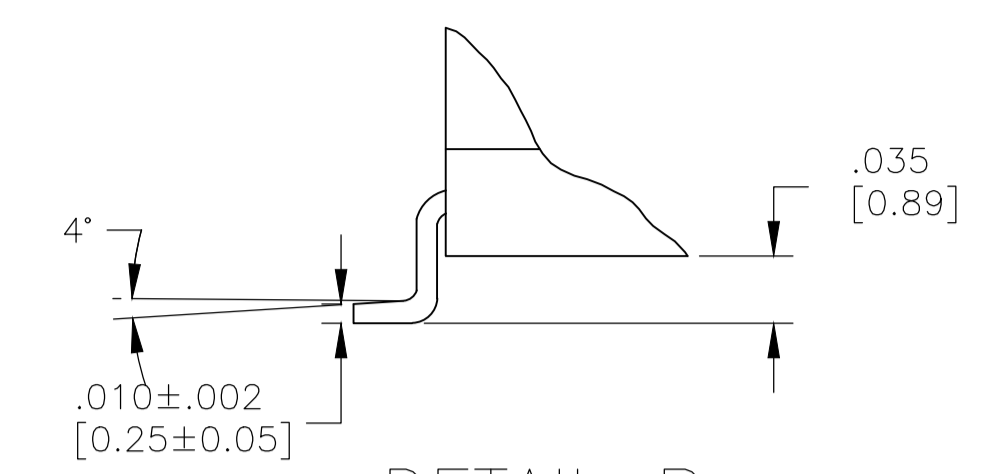
ENVIRONMENTAL:
 OPERATING TEMPERATURE: -40°F TO +176°F (-40° TO 80°)
 SOLDER HEAT RESISTANCE PER 109-202, COND B (THRU-HOLE)
 & 109-201, COND B (SMT)
 PROCESS CLEANING: WILL WITHSTAND AQUEOUS OR SOLVENT
 CLEANING PROCESSES.
 SOLDERABILITY PER EIA 364-52 CLASS 2 CATEGORY 1

REV	DESCRIPTION	DATE	BY	CHK	APP'D	MTG STYLE	ACTUA TION	FUNCTION	ALCO P/N	P/N	
5	T & R	0.105 [2.67]	0.200 [5.08]	0.260 [6.60]	0.400 [10.16]	SILVER	SMT	TOP	DPDT	ASF7126004	8-1825011-1
△	T & R	0.230 [5.82]	0.800 [20.32]	0.260 [6.60]	1.000 [25.40]	SILVER	SMT	SIDE	6PDT	ASF62RSTR04	8-1825011-0
△	TUBE	0.230 [5.82]	0.800 [20.32]	0.260 [6.60]	1.000 [25.40]	SILVER	SMT	SIDE	6PDT	ASF62RS04	7-1825011-9
△	T & R	0.230 [5.82]	0.800 [20.32]	0.260 [6.60]	1.000 [25.40]	GOLD	SMT	SIDE	6PDT	ASF62RGS04	7-1825011-8
△	TUBE	0.230 [5.82]	0.800 [20.32]	0.260 [6.60]	1.000 [25.40]	GOLD	SMT	SIDE	6PDT	ASF62RGS04	7-1825011-7
△	T & R	0.230 [5.82]	0.800 [20.32]	0.260 [6.60]	1.000 [25.40]	SILVER	SMT	SIDE	6PDT	ASF62RLTR04	7-1825011-6
△	TUBE	0.230 [5.82]	0.800 [20.32]	0.260 [6.60]	1.000 [25.40]	SILVER	SMT	SIDE	6PDT	ASF62RL04	7-1825011-5
△	T & R	0.230 [5.82]	0.800 [20.32]	0.260 [6.60]	1.000 [25.40]	GOLD	SMT	SIDE	6PDT	ASF62RGLTR04	7-1825011-4
△	TUBE	0.230 [5.82]	0.800 [20.32]	0.260 [6.60]	1.000 [25.40]	GOLD	SMT	SIDE	6PDT	ASF62RGL04	7-1825011-3
△	T & R	0.230 [5.82]	0.800 [20.32]	0.260 [6.60]	1.000 [25.40]	SILVER	SMT	TOP	6PDT	ASF62STR04	7-1825011-2
△	TUBE	0.230 [5.82]	0.800 [20.32]	0.260 [6.60]	1.000 [25.40]	SILVER	SMT	TOP	6PDT	ASF62S04	7-1825011-1
△	T & R	0.230 [5.82]	0.800 [20.32]	0.260 [6.60]	1.000 [25.40]	GOLD	SMT	TOP	6PDT	ASF62GSTR04	7-1825011-0
△	TUBE	0.230 [5.82]	0.800 [20.32]	0.260 [6.60]	1.000 [25.40]	GOLD	SMT	TOP	6PDT	ASF62GS04	6-1825011-9
△	T & R	0.230 [5.82]	0.800 [20.32]	0.260 [6.60]	1.000 [25.40]	SILVER	SMT	TOP	6PDT	ASF62RLTR04	6-1825011-8
△	TUBE	0.230 [5.82]	0.800 [20.32]	0.260 [6.60]	1.000 [25.40]	SILVER	SMT	TOP	6PDT	ASF62RL04	6-1825011-7
△	T & R	0.230 [5.82]	0.800 [20.32]	0.260 [6.60]	1.000 [25.40]	GOLD	SMT	TOP	6PDT	ASF62RGLTR04	6-1825011-6
△	TUBE	0.230 [5.82]	0.800 [20.32]	0.260 [6.60]	1.000 [25.40]	GOLD	SMT	TOP	6PDT	ASF62RGL04	6-1825011-5
△	T & R	0.230 [5.82]	0.800 [20.32]	0.260 [6.60]	1.000 [25.40]	SILVER	THRU-HOLE	SIDE	6PDT	ASF62RG04	6-1825011-4
△	TUBE	0.230 [5.82]	0.800 [20.32]	0.260 [6.60]	1.000 [25.40]	SILVER	THRU-HOLE	SIDE	6PDT	ASF62R04	6-1825011-3
△	T & R	0.230 [5.82]	0.800 [20.32]	0.260 [6.60]	1.000 [25.40]	GOLD	THRU-HOLE	TOP	6PDT	ASF62G04	6-1825011-2
△	TUBE	0.230 [5.82]	0.800 [20.32]	0.260 [6.60]	1.000 [25.40]	SILVER	THRU-HOLE	TOP	6PDT	ASF6204	6-1825011-1
△	T & R	0.230 [5.82]	0.900 [22.86]	0.360 [9.14]	1.100 [27.94]	SILVER	SMT	SIDE	4P3T	ASF43RSTR04	6-1825011-0
△	TUBE	0.230 [5.82]	0.900 [22.86]	0.360 [9.14]	1.100 [27.94]	SILVER	SMT	SIDE	4P3T	ASF43RS04	5-1825011-9
△	T & R	0.230 [5.82]	0.900 [22.86]	0.360 [9.14]	1.100 [27.94]	GOLD	SMT	SIDE	4P3T	ASF43RGS04	5-1825011-8
△	TUBE	0.230 [5.82]	0.900 [22.86]	0.360 [9.14]	1.100 [27.94]	GOLD	SMT	SIDE	4P3T	ASF43RGS04	5-1825011-7
△	T & R	0.230 [5.82]	0.900 [22.86]	0.360 [9.14]	1.100 [27.94]	SILVER	SMT	SIDE	4P3T	ASF43RLTR04	5-1825011-6
△	TUBE	0.230 [5.82]	0.900 [22.86]	0.360 [9.14]	1.100 [27.94]	SILVER	SMT	SIDE	4P3T	ASF43RL04	5-1825011-5
△	T & R	0.230 [5.82]	0.900 [22.86]	0.360 [9.14]	1.100 [27.94]	GOLD	SMT	SIDE	4P3T	ASF43RGLTR04	5-1825011-4
△	TUBE	0.230 [5.82]	0.900 [22.86]	0.360 [9.14]	1.100 [27.94]	GOLD	SMT	SIDE	4P3T	ASF43RGL04	5-1825011-3
△	T & R	0.230 [5.82]	0.900 [22.86]	0.360 [9.14]	1.100 [27.94]	SILVER	SMT	TOP	4P3T	ASF43STR04	5-1825011-2
△	TUBE	0.230 [5.82]	0.900 [22.86]	0.360 [9.14]	1.100 [27.94]	SILVER	SMT	TOP	4P3T	ASF43S04	5-1825011-1
△	T & R	0.230 [5.82]	0.900 [22.86]	0.360 [9.14]	1.100 [27.94]	GOLD	SMT	TOP	4P3T	ASF43GSTR04	5-1825011-0
△	TUBE	0.230 [5.82]	0.900 [22.86]	0.360 [9.14]	1.100 [27.94]	GOLD	SMT	TOP	4P3T	ASF43GS04	4-1825011-9
△	T & R	0.230 [5.82]	0.900 [22.86]	0.360 [9.14]	1.100 [27.94]	SILVER	SMT	TOP	4P3T	ASF43LTR04	4-1825011-8
△	TUBE	0.230 [5.82]	0.900 [22.86]	0.360 [9.14]	1.100 [27.94]	SILVER	SMT	TOP	4P3T	ASF43L04	4-1825011-7
△	T & R	0.230 [5.82]	0.900 [22.86]	0.360 [9.14]	1.100 [27.94]	GOLD	SMT	TOP	4P3T	ASF43GL04	4-1825011-6
△	TUBE	0.230 [5.82]	0.900 [22.86]	0.360 [9.14]	1.100 [27.94]	GOLD	SMT	TOP	4P3T	ASF43GL04	4-1825011-5
△	T & R	0.230 [5.82]	0.900 [22.86]	0.360 [9.14]	1.100 [27.94]	SILVER	THRU-HOLE	SIDE	4P3T	ASF43RG04	4-1825011-4
△	TUBE	0.230 [5.82]	0.900 [22.86]	0.360 [9.14]	1.100 [27.94]	SILVER	THRU-HOLE	SIDE	4P3T	ASF43R04	4-1825011-3
△	T & R	0.230 [5.82]	0.900 [22.86]	0.360 [9.14]	1.100 [27.94]	GOLD	THRU-HOLE	TOP	4P3T	ASF43G04	4-1825011-2
△	TUBE	0.230 [5.82]	0.900 [22.86]	0.360 [9.14]	1.100 [27.94]	SILVER	THRU-HOLE	TOP	4P3T	ASF4304	4-1825011-1
△	T & R	0.230 [5.82]	0.500 [12.70]	0.260 [6.60]	0.700 [17.78]	SILVER	SMT	SIDE	4PDT	ASF42RSTR04	4-1825011-0
△	TUBE	0.230 [5.82]	0.500 [12.70]	0.260 [6.60]	0.700 [17.78]	SILVER	SMT	SIDE	4PDT	ASF42RS04	3-1825011-9
△	T & R	0.230 [5.82]	0.500 [12.70]	0.260 [6.60]	0.700 [17.78]	GOLD	SMT	SIDE	4PDT	ASF42RGS04	3-1825011-8
△	TUBE	0.230 [5.82]	0.500 [12.70]	0.260 [6.60]	0.700 [17.78]	GOLD	SMT	SIDE	4PDT	ASF42RGS04	3-1825011-7
△	T & R	0.230 [5.82]	0.500 [12.70]	0.260 [6.60]	0.700 [17.78]	SILVER	SMT	SIDE	4PDT	ASF42RLTR04	3-1825011-6
△	TUBE	0.230 [5.82]	0.500 [12.70]	0.260 [6.60]	0.700 [17.78]	SILVER	SMT	SIDE	4PDT	ASF42RL04	3-1825011-5
△	T & R	0.230 [5.82]	0.500 [12.70]	0.260 [6.60]	0.700 [17.78]	GOLD	SMT	SIDE	4PDT	ASF42RGLTR04	3-1825011-4
△	TUBE	0.230 [5.82]	0.500 [12.70]	0.260 [6.60]	0.700 [17.78]	GOLD	SMT	SIDE	4PDT	ASF42RGL04	3-1825011-3
△	T & R	0.230 [5.82]	0.500 [12.70]	0.260 [6.60]	0.700 [17.78]	SILVER	SMT	TOP	4PDT	ASF42STR04	3-1825011-2
△	TUBE	0.230 [5.82]	0.500 [12.70]	0.260 [6.60]	0.700 [17.78]	SILVER	SMT	TOP	4PDT	ASF42S04	3-1825011-1
△	T & R	0.230 [5.82]	0.500 [12.70]	0.260 [6.60]	0.700 [17.78]	GOLD	SMT	TOP	4PDT	ASF42GSTR04	3-1825011-0
△	TUBE	0.230 [5.82]	0.500 [12.70]	0.260 [6.60]	0.700 [17.78]	GOLD	SMT	TOP	4PDT	ASF42GS04	2-1825011-9
△	T & R	0.230 [5.82]	0.500 [12.70]	0.260 [6.60]	0.700 [17.78]	SILVER	SMT	TOP	4PDT	ASF42LTR04	2-1825011-8
△	TUBE	0.230 [5.82]	0.500 [12.70]	0.260 [6.60]	0.700 [17.78]	SILVER	SMT	TOP	4PDT	ASF42L04	2-1825011-7
△	T & R	0.230 [5.82]	0.500 [12.70]	0.260 [6.60]	0.700 [17.78]	GOLD	SMT	TOP	4PDT	ASF42GLTR04	2-1825011-6
△	TUBE	0.230 [5.82]	0.500 [12.70]	0.260 [6.60]	0.700 [17.78]	GOLD	SMT	TOP	4PDT	ASF42GL04	2-1825011-5
△	T & R	0.230 [5.82]	0.500 [12.70]	0.260 [6.60]	0.700 [17.78]	SILVER	THRU-HOLE	SIDE	4PDT	ASF42RG04	2-1825011-4
△	TUBE	0.230 [5.82]	0.500 [12.70]	0.260 [6.60]	0.700 [17.78]	SILVER	THRU-HOLE	SIDE	4PDT	ASF42R04	2-1825011-3
△	T & R	0.230 [5.82]	0.500 [12.70]	0.260 [6.60]	0.700 [17.78]	GOLD	THRU-HOLE	TOP	4PDT	ASF42G04	2-1825011-2
△	TUBE	0.230 [5.82]	0.500 [12.70]	0.260 [6.60]	0.700 [17.78]	SILVER	THRU-HOLE	TOP	4PDT	ASF4204	2-1825011-1
△	T & R	0.105 [2.67]	0.200 [5.08]	0.260 [6.60]	0.400 [10.16]	SILVER	SMT	SIDE	DPDT	ASF22RSTR04	2-1825011-0
△	TUBE	0.105 [2.67]	0.200 [5.08]	0.260 [6.60]	0.400 [10.16]	SILVER	SMT	SIDE	DPDT	ASF22RS04	1-1825011-9
△	T & R	0.105 [2.67]	0.200 [5.08]	0.260 [6.60]	0.400 [10.16]	GOLD	SMT	SIDE	DPDT	ASF22RGS04	1-1825011-8
△	TUBE	0.105 [2.67]	0.200 [5.08]	0.260 [6.60]	0.400 [10.16]	GOLD	SMT	SIDE	DPDT	ASF22RGS04	1-1825011-7
△	T & R	0.105 [2.67]	0.200 [5.08]	0.260 [6.60]	0.400 [10.16]	SILVER	SMT	SIDE	DPDT	ASF22RLTR04	1-1825011-6
△	TUBE	0.105 [2.67]	0.200 [5.08]	0.260 [6.60]	0.400 [10.16]	SILVER	SMT	SIDE	DPDT	ASF22RL04	1-1825011-5
△	T & R	0.105 [2.67]	0.200 [5.08]	0.260 [6.60]	0.400 [10.16]	GOLD	SMT	SIDE	DPDT	ASF22RGLTR04	1-1825011-4
△	TUBE	0.105 [2.67]	0.200 [5.08]	0.260 [6.60]	0.400 [10.16]	GOLD	SMT	SIDE	DPDT	ASF22RGL04	1-1825011-3
△	T & R	0.105 [2.67]	0.200 [5.08]	0.260 [6.60]	0.400 [10.16]	SILVER	SMT	TOP	DPDT	ASF22STR04	1-1825011-2
△	TUBE	0.105 [2.67]	0.200 [5.08]	0.260 [6.60]	0.400 [10.16]	SILVER	SMT	TOP	DPDT	ASF22S04	1-1825011-1
△	T & R	0.105 [2.67]	0.200 [5.08]	0.260 [6.60]	0.400 [10.16]	GOLD	SMT	TOP	DPDT	ASF22GSTR04	1-1825011-0
△	TUBE	0.105 [2.67]	0.200 [5.08]	0.260 [6.60]	0.400 [10.16]	GOLD	SMT	TOP	DPDT	ASF22GS04	1825011-9
△	T & R	0.105 [2.67]	0.200 [5.08]	0.260 [6.60]	0.400 [10.16]	SILVER	SMT	TOP	DPDT	ASF22LTR04	1825011-8
△	TUBE	0.105 [2.67]	0.200 [5.08]	0.260 [6.60]	0.400 [10.16]	SILVER	SMT	TOP	DPDT	ASF22L04	1825011-7
△	T & R	0.105 [2.67]	0.200 [5.08]	0.260 [6.60]	0.400 [10.16]	GOLD	SMT	TOP	DPDT	ASF22GLTR04	1825011-6
△	TUBE	0.105 [2.67]	0.200 [5.08]	0.260 [6.60]	0.400 [10.16]	GOLD	SMT	TOP	DPDT	ASF22GL04	1825011-5
△	T & R	0.105 [2.67]	0.200 [5.08]	0.260 [6.60]	0.400 [10.16]	SILVER	THRU-HOLE	SIDE	DPDT	ASF22RG04	1825011-4
△	TUBE	0.105 [2.67]	0.200 [5.08]	0.260 [6.60]	0.400 [10.16]	SILVER	THRU-HOLE	SIDE	DPDT	ASF22R04	1825011-3
△	T & R	0.105 [2.67]</									

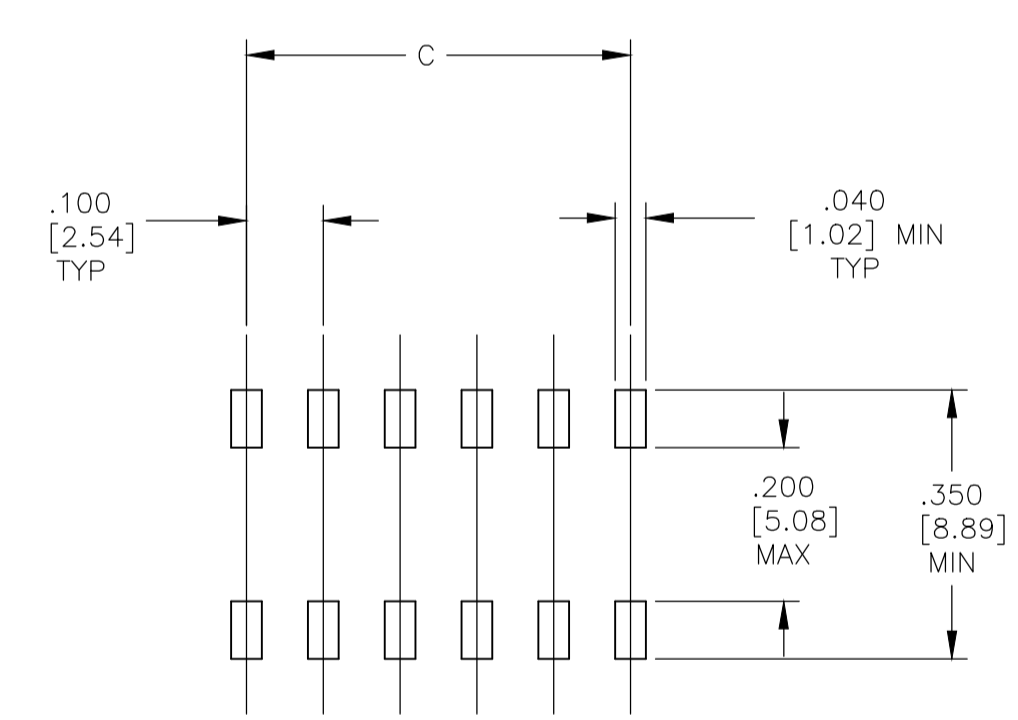
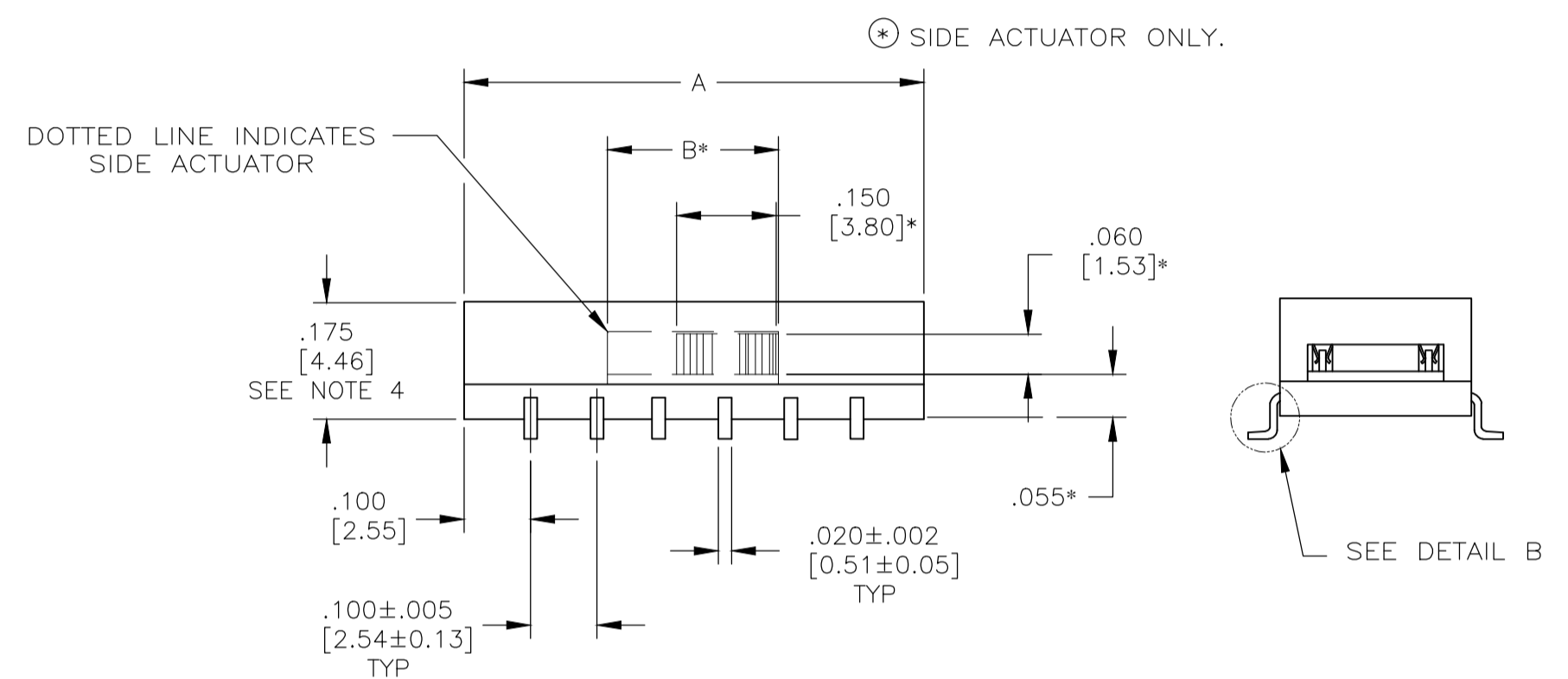
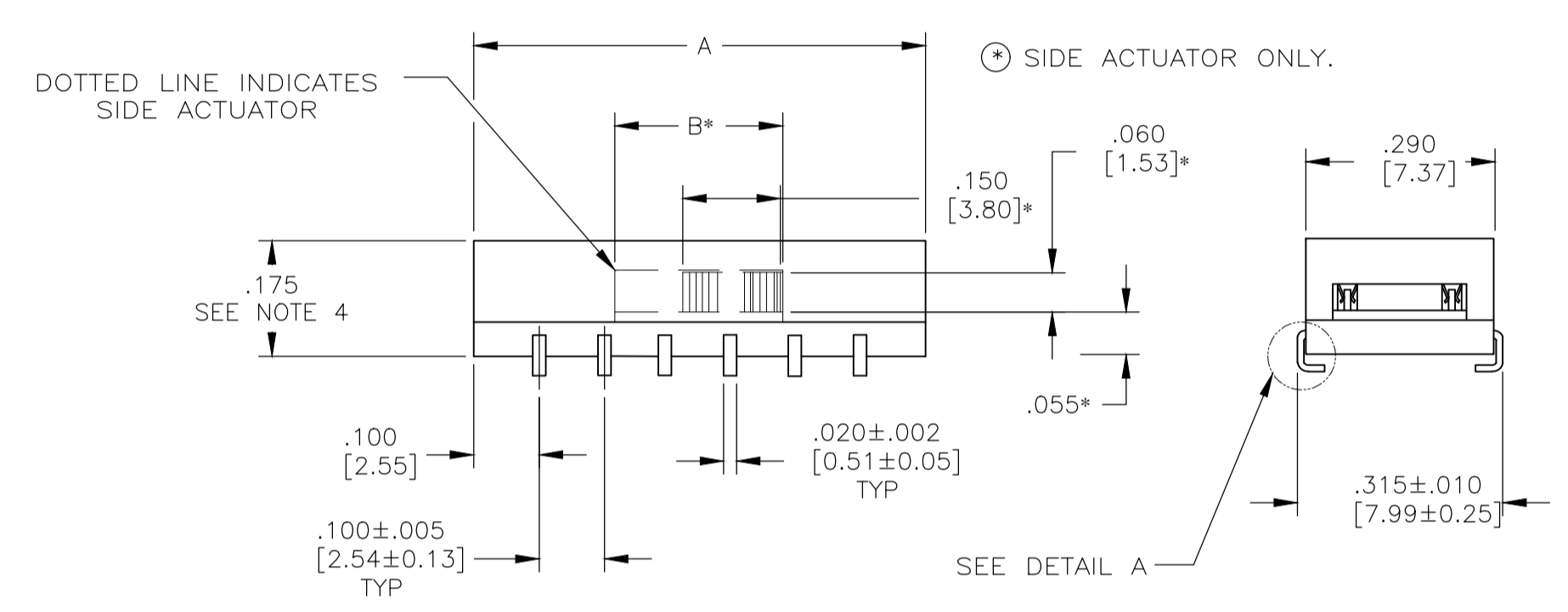
REVISIONS				
REV	DATE	DESCRIPTION	BY	APP'D
1		SEE SHEET 1		



DETAIL A
SCALE 10:1

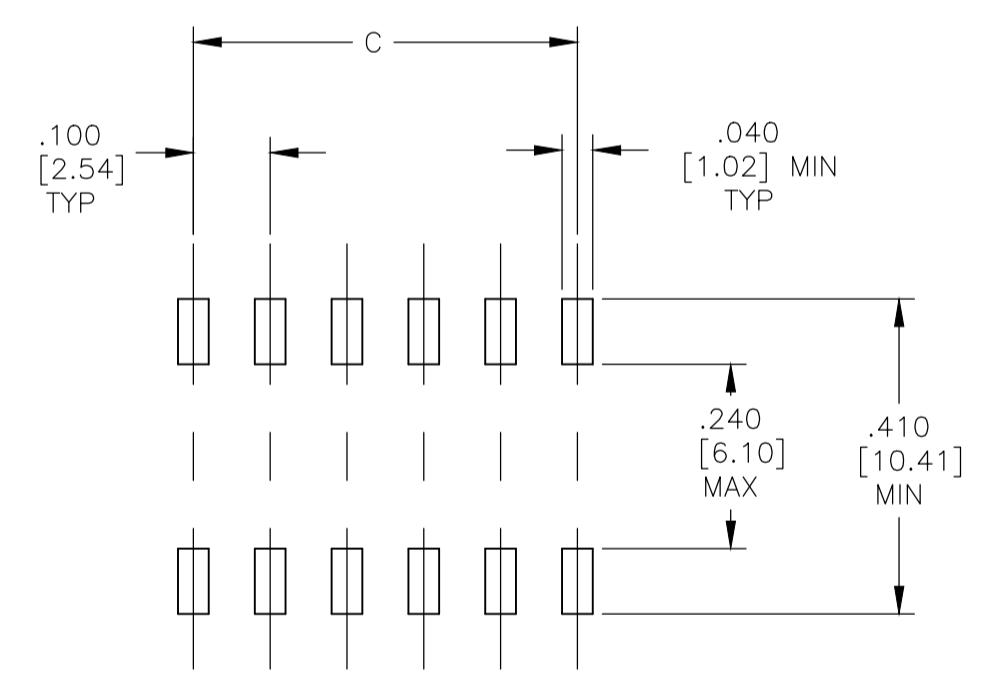


DETAIL B
SCALE 10:1



PRINTED CIRCUIT BOARD
PAD LAYOUT

"S" J-LEAD TYPE SURFACE MOUNT



PRINTED CIRCUIT BOARD
PAD LAYOUT

"L" GULL WING TYPE SURFACE MOUNT

THIS DRAWING IS A CONTROLLED DOCUMENT.		DWG: B.S.VISWESWARA	20FEB05	TE Connectivity	
DIMENSIONS: INCHES [mm]		CHK: M.S.SARVER	20FEB05		
TOLERANCES UNLESS OTHERWISE SPECIFIED:		APVD: M.S.SARVER	20FEB05	NAME: SLIDE SWITCH ASF, AUTO-INSERTABLE, THRU-HOLE AND SURFACE MOUNT	
0 PLC ± -		PRODUCT SPEC			
1 PLC ± -		APPLICATION SPEC			
2 PLC ± -		SIZE: A1	CAGE CODE: 00779	DRAWING NO: 1825011	RESTRICTED TO: -
3 PLC ± .01(0.25)		WEIGHT: -	SCALE: 5:1	SHEET: 2 OF 2	REV: B2
4 PLC ± -	FINISH: SEE SHEET 1	CUSTOMER DRAWING			

X-ON Electronics

Largest Supplier of Electrical and Electronic Components

Click to view similar products for [Slide Switches](#) category:

Click to view products by [TE Connectivity](#) manufacturer:

Other Similar products are found below :

[6-1437581-1](#) [M43R](#) [MHS123K15D](#) [MHS133K](#) [MHSS1104A](#) [MMD](#) [GH49S010001](#) [MSS12A](#) [EPS1PC1](#) [1825074-1](#) [1825160-3](#) [1825167-2](#)
[1825289-7](#) [K232CB](#) [25139NLDB](#) [25449NAH](#) [SLB1240R45](#) [1825078-1](#) [1825080-4](#) [1825269-1](#) [1825270-2](#) [STS141RA04](#) [T2215BEN506](#)
[GH46P000001](#) [GH46W000001](#) [GH49P010001](#) [25339NA](#) [M42A](#) [TG36P000000](#) [TG36P000050](#) [AYZ0202AG](#) [47227LFE](#) [49331L](#) [50208L](#)
[L203091MS02Q](#) [4-1437581-7](#) [X2225CR-437W](#) [49329L](#) [1101M1S3ZB8E2](#) [1-1437581-1](#) [MSS2225G04](#) [TG39W000000](#) [1825075-1](#)
[MSS42G](#) [TG36WS80065](#) [T105S1CWZBE](#) [SLB124145](#) [SLB1280R5](#) [SLB1340R45](#) [25136NLDB](#)