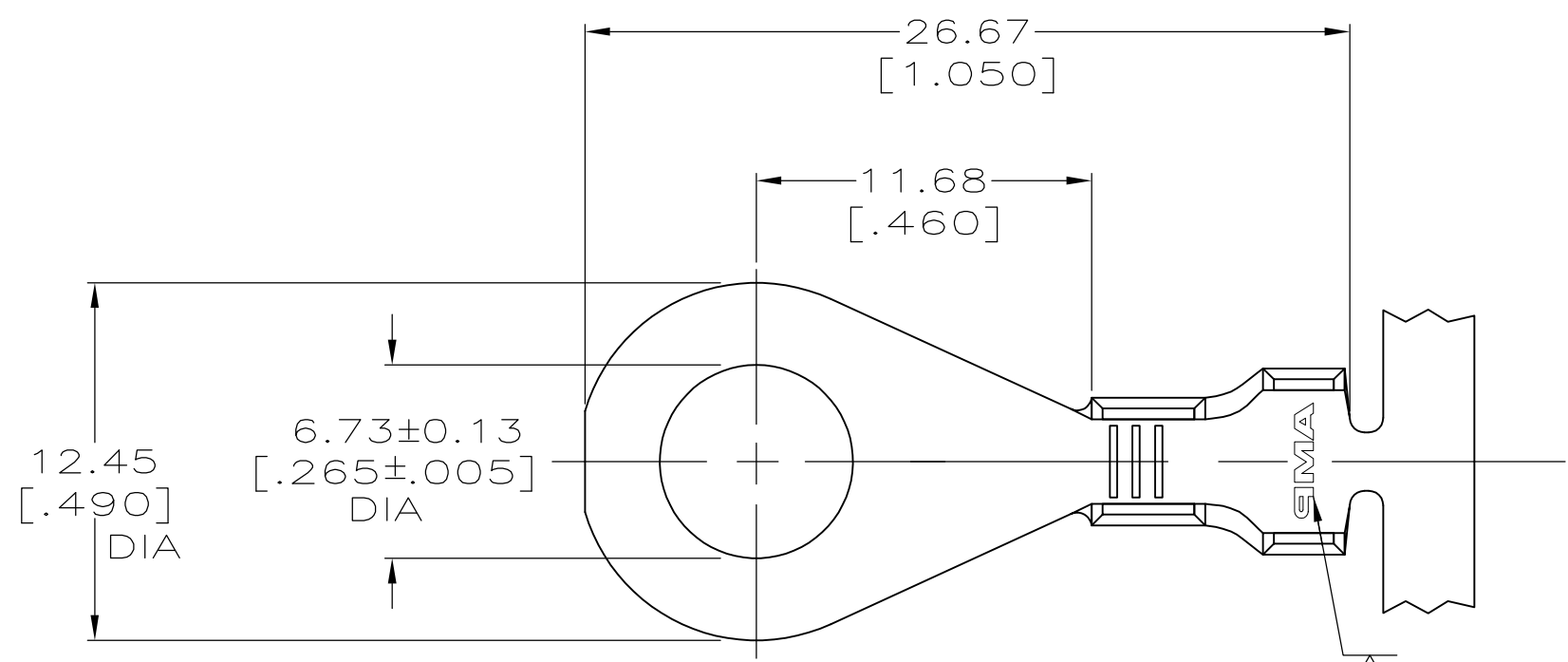
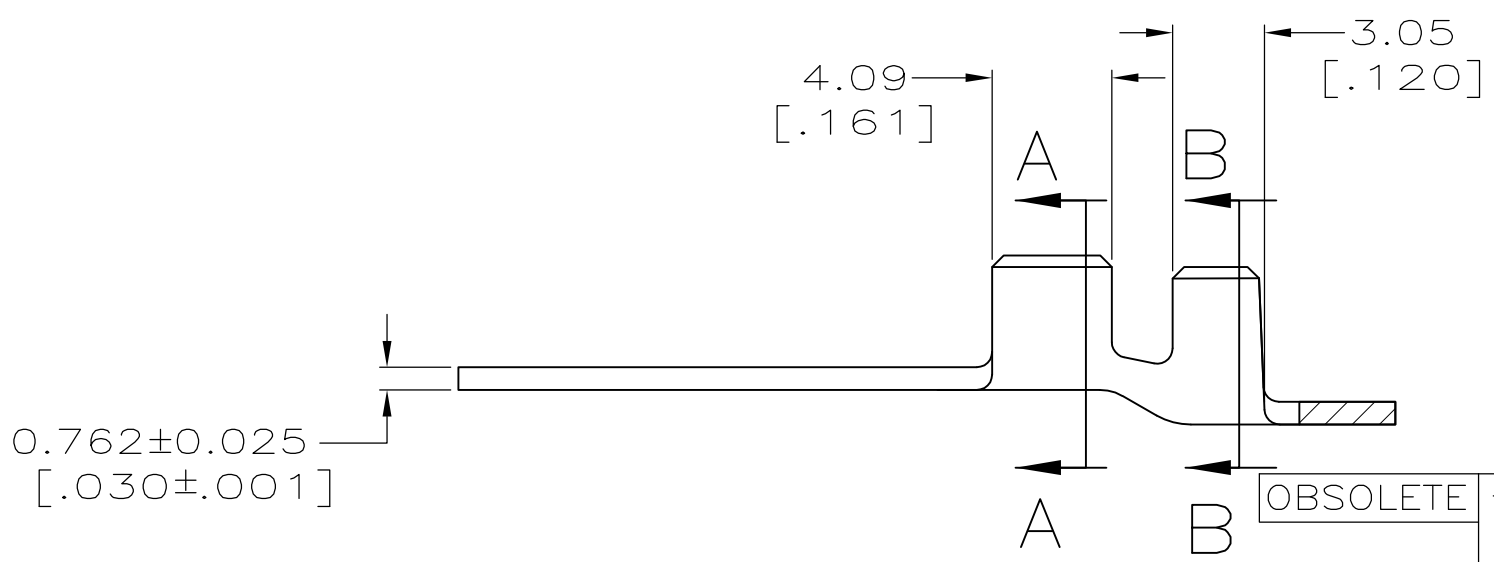
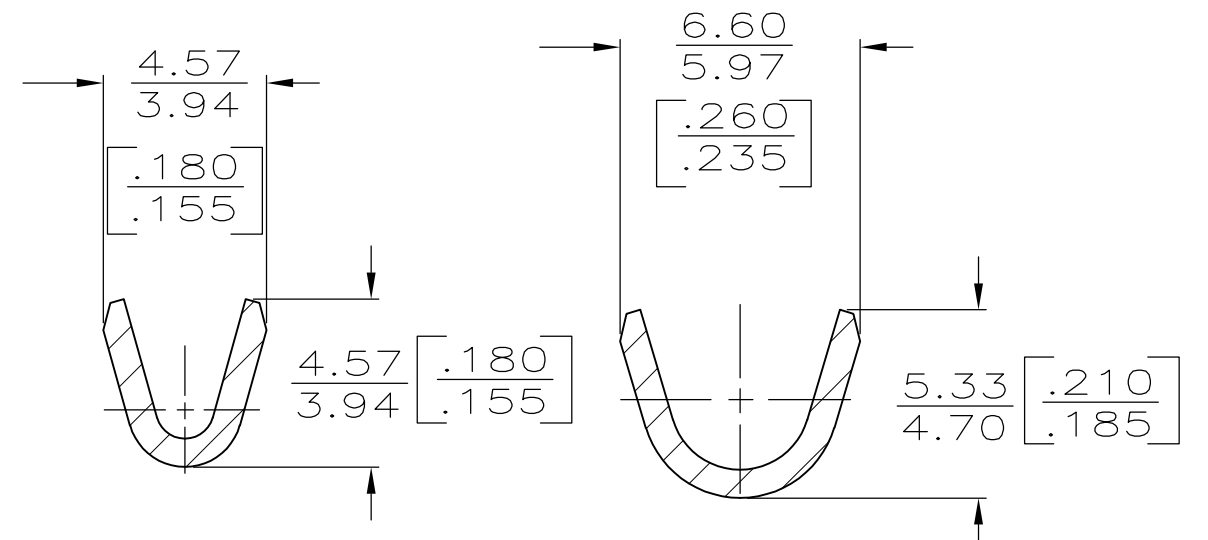


THIS DRAWING IS UNPUBLISHED. RELEASED FOR PUBLICATION
 © COPYRIGHT - By - ALL RIGHTS RESERVED.

LOC	DIST	REVISIONS			
P	LTR	DESCRIPTION	DATE	DWN	APVD
AF	50				
	J2	REVISED PER ECR-11-009335	09AUG1	JR	PD



- 1 CONTINUOUS STRIP ON REEL.
- △2 INSULATION RANGE:
2.03-2.92 [.080-.115] F CRIMP
2.92-3.81 [.115-.150] O CRIMP.
- △3 STAMPING:
AMP FOR PART NO 61867-2
AMP* FOR PART NO 61867-3.



OBSOLETE	△2	[18-14] AWG	H02 PHOS BRZ	61867-3
		INSULATION RANGE	WIRE RANGE	MATERIAL
			082 BRASS	61867-2

THIS DRAWING IS A CONTROLLED DOCUMENT.		DWN 2/16/94 PHILLIP M FORTNEY	STE TE Connectivity	
DIMENSIONS: INCHES		CHK 2/16/94 JEFF RUTH		
TOLERANCES UNLESS OTHERWISE SPECIFIED:		APVD 2/16/94 GARY YETTER	NAME	
0 PLC ± -		PRODUCT SPEC 2/16/94 RON KUZO	RING	
1 PLC ± -		APPLICATION SPEC	-	
2 PLC ± 0.25 [.010]		WEIGHT -	SIZE A3	CAGE CODE 00779
3 PLC ± -			DRAWING NO C-61867	RESTRICTED TO -
4 PLC ± -			SCALE 4:1	SHEET 1 OF 1
ANGLES ± -			REV J2	
FINISH TIN PLATE		CUSTOMER DRAWING		

X-ON Electronics

Largest Supplier of Electrical and Electronic Components

Click to view similar products for [Terminals](#) category:

Click to view products by [TE Connectivity](#) manufacturer:

Other Similar products are found below :

[00-054007-01074-6](#) [00-054007-70206-1](#) [00-054007-70210-8](#) [00-054007-70217-7](#) [00-054007-70226-9](#) [00-054007-70228-3](#) [00-054007-70248-1](#) [00-054007-70256-6](#) [00-054007-70301-3](#) [00-054007-70316-7](#) [0-0320562-0](#) [00-054007-49560-4](#) [00-054007-70209-2](#) [00-054007-70225-2](#) [00-054007-70227-6](#) [00-054007-70231-3](#) [00-054007-70241-2](#) [00-054007-70242-9](#) [00-054007-70244-3](#) [00-054007-70246-7](#) [00-054007-70263-4](#) [00-054007-70288-7](#) [00-054007-70290-0](#) [00-054007-70300-6](#) [00-054007-70304-4](#) [01-2065-1-0216](#) [01-2900-1-04412](#) [00581P0075](#) [600TS-10](#) [60205-1](#) [604200-1](#) [605601-1](#) [60598-1-CUT-TAPE](#) [61314-6-C](#) [61810-3](#) [61-S](#) [61-SN](#) [626-0194](#) [62-NBM-A](#) [62-SN](#) [62-SP](#) [63-S](#) [640179-1](#) [M55155/059I03](#) [M55155/079C01](#) [M55155/099H02](#) [M55155/109H01](#) [M55155/109H02](#) [M55155/12XH05](#) [M55155/16XH02](#)