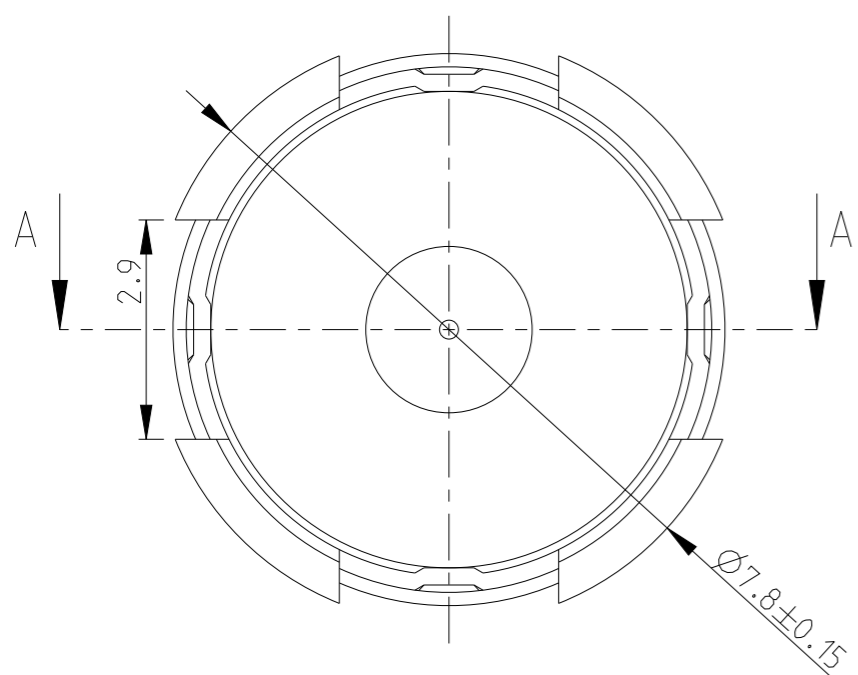


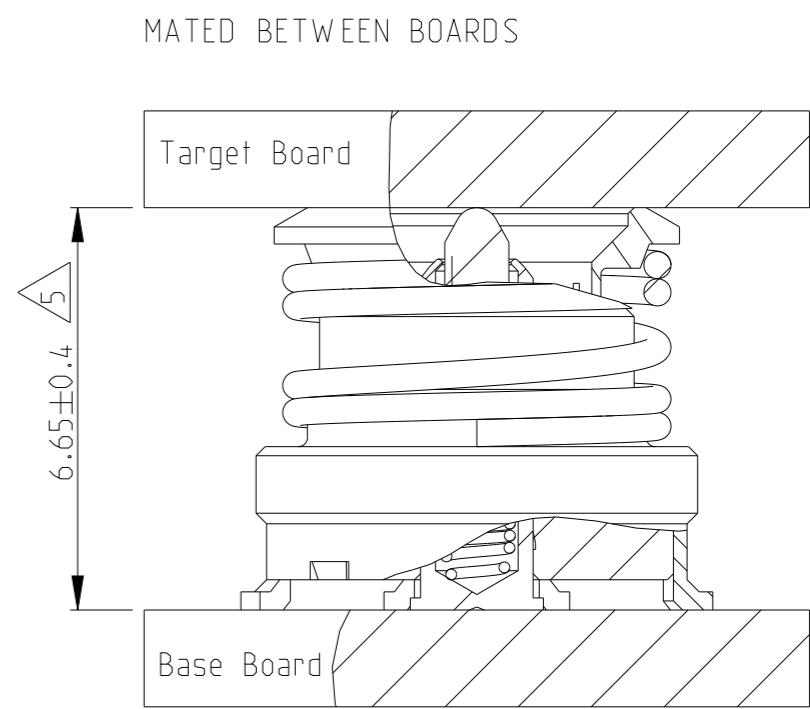
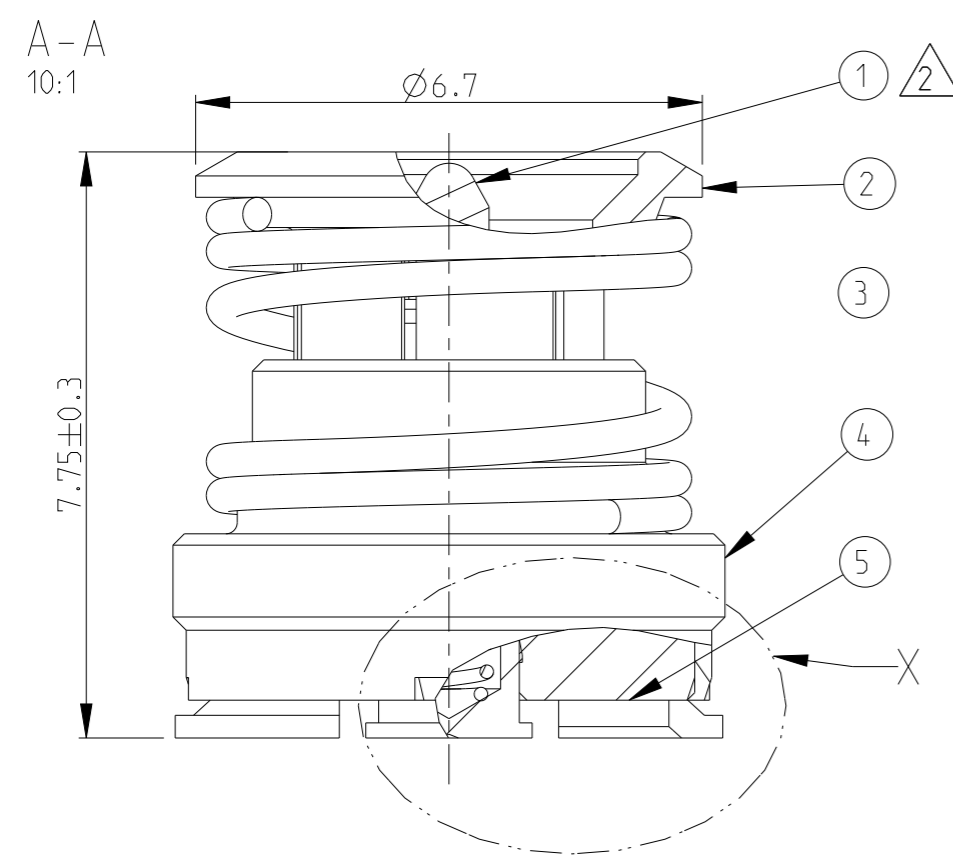
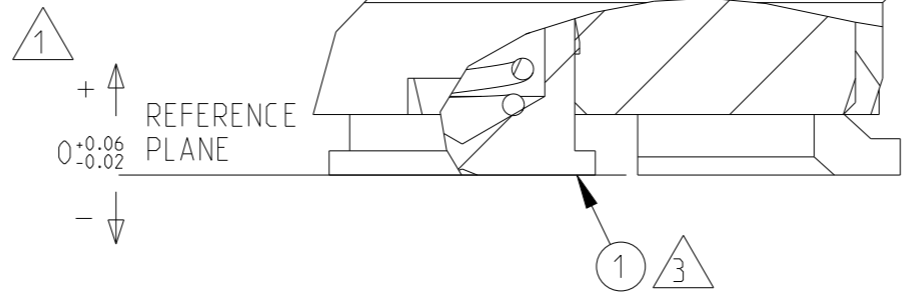
LOC DIST
GW 00


REVISIONS

P	LTR	DESCRIPTION	DATE	DWN	APVD
A2		EC SR10 - 0112 - 04	22DEC2004	RLU	DB
A3		Revised per ECO-11-005150	03MAY2011	RK	HMR
A4		Modified packaging note	31MAY2011	AM	MG
B1		ECR-21-115370	29SEP2021	PZ	WKH



X
16:1



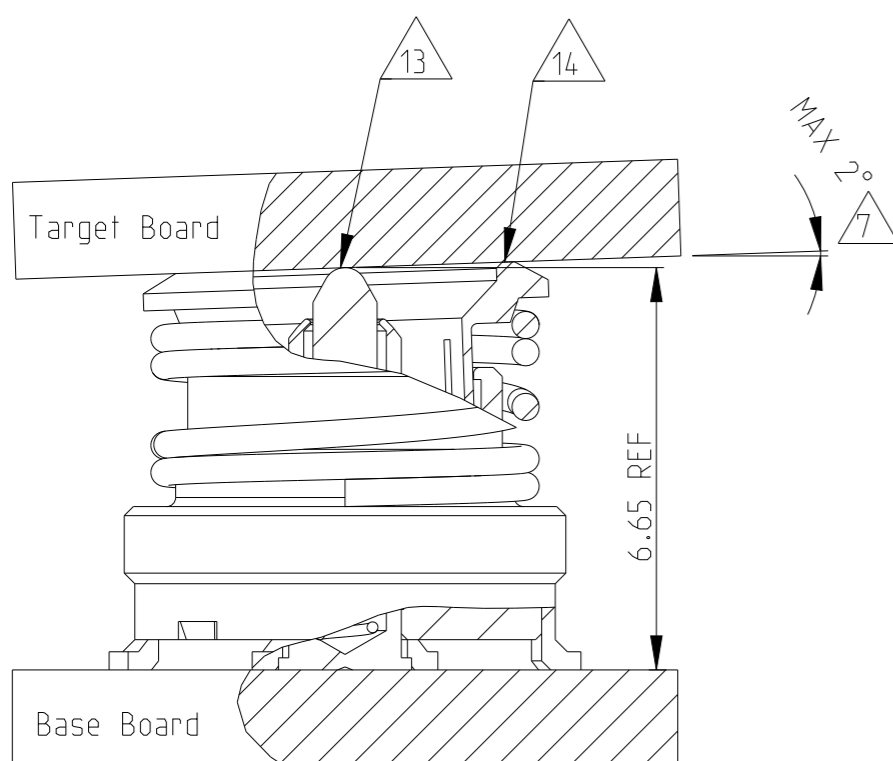
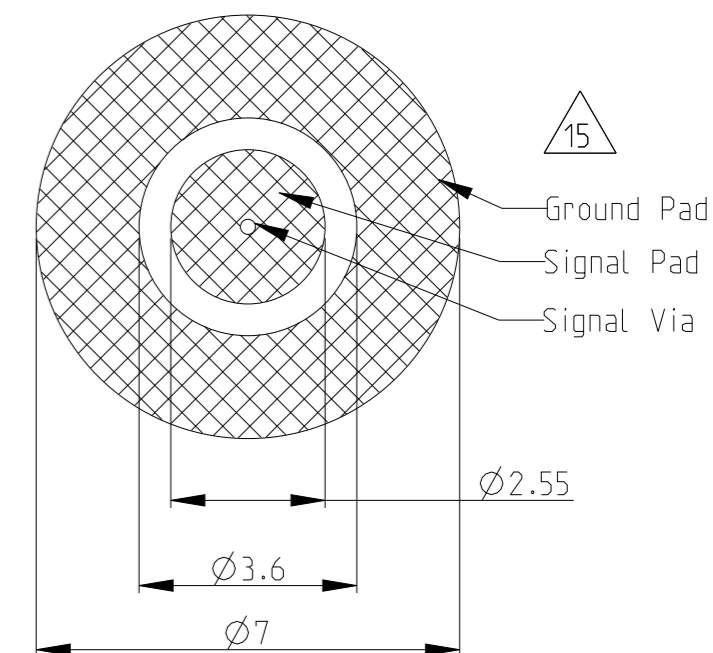
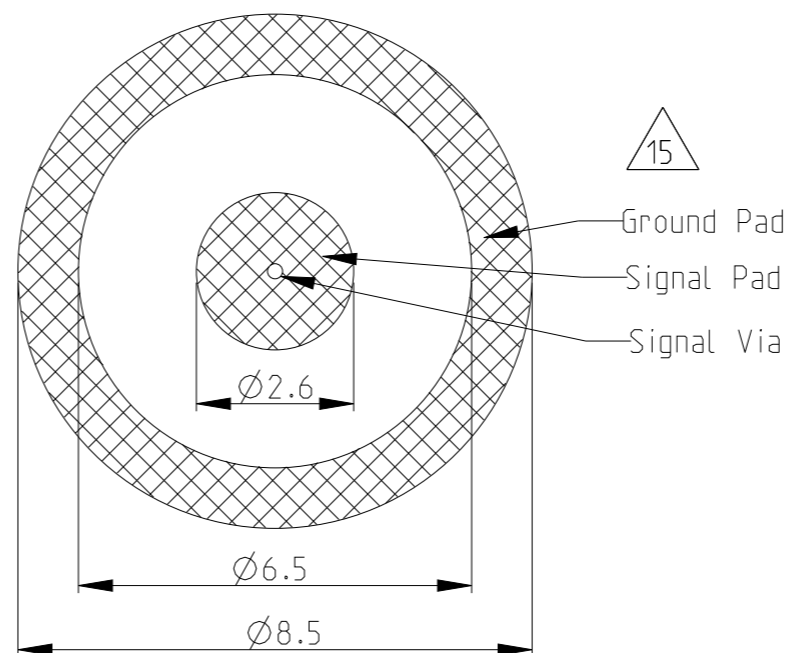
THIS DRAWING IS A CONTROLLED DOCUMENT.		DWN R. Luppi	29SEP2021	 TE Connectivity	
DIMENSIONS: mm		CHK D. Bozzer	04JAN05		
TOLERANCES UNLESS OTHERWISE SPECIFIED:		APVD	-	NAME BOARD-TO-BOARD CONNECTOR 6.65 MM HEIGHT	
0 PLC ± 1 PLC ±0.5 2 PLC ±0.13 3 PLC ±0.013 4 PLC ±0.0001 ANGLES ±		PRODUCT SPEC	108-71060	SIZE A3	
MATERIAL TBD		FINISH	-	CAGE CODE	00779
				DRAWING NO	619135
				RESTRICTED TO	-
				SCALE	8:1
				SHEET	1 OF 4
				REV	B1

P	LTR	DESCRIPTION	DATE	DWN	APVD
-	-	SEE SHEET 1	-	-	-

- 1 POSITION OF CENTER CONTACT
- 2 PLATING 0.15 μm Au OVER NiP
- 3 PLATING MIN 0.3 μm Au OVER NiP.
- 4 BULK QTY CONNECTORS PACKED IN PLASTIC BAG
- 5 DISTANCE BETWEEN PRINTED CIRCUIT BOARDS
- 6 MISALIGNMENT BETWEEN CONNECTOR AXIS AND TARGET LAYOUT ON TARGET BOARD: MAX 0.8 mm
- 7 ANGLE BETWEEN PRINTED CIRCUIT BOARDS

8 RECOMMENDED LAYOUT ON BASE BOARD

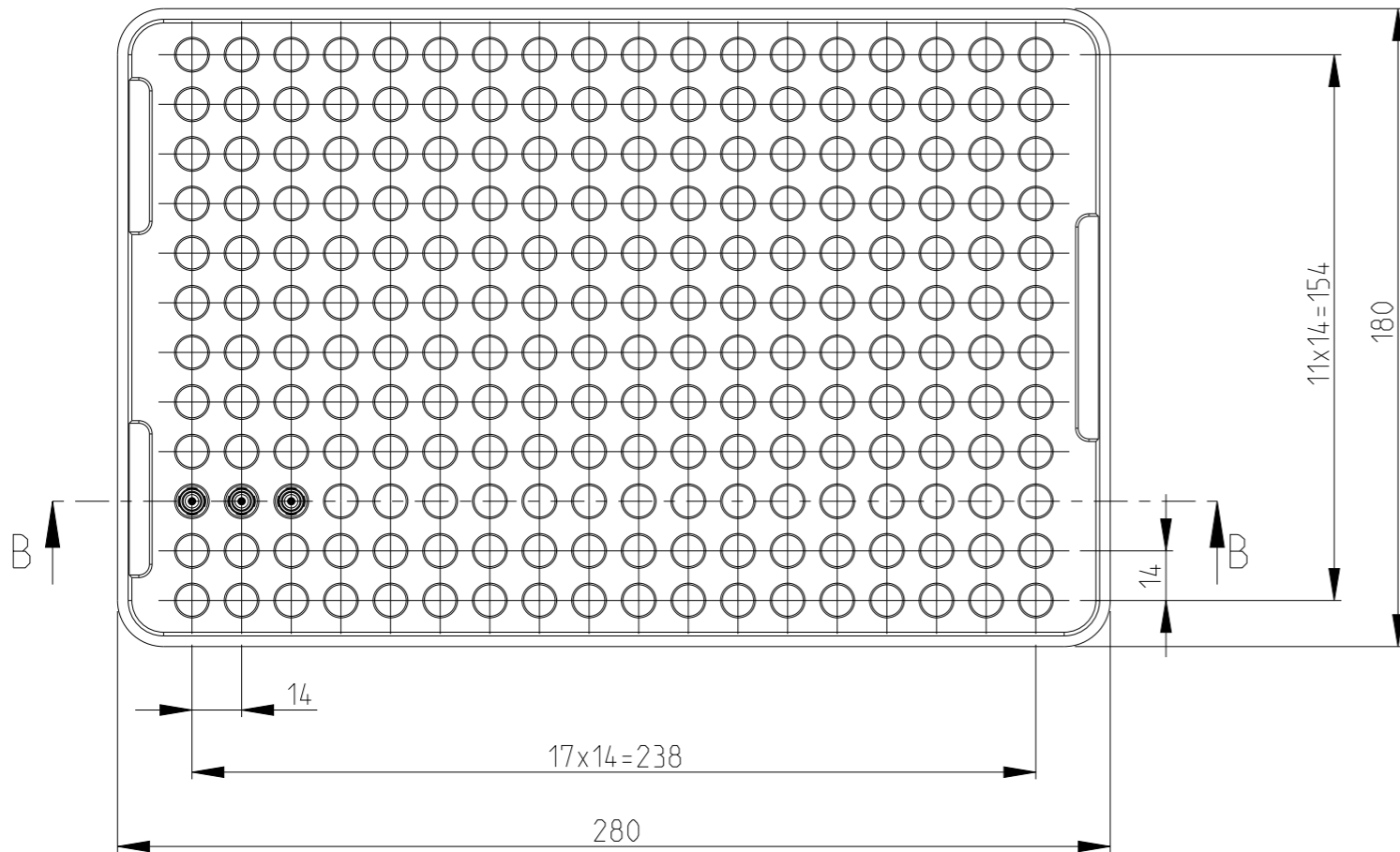
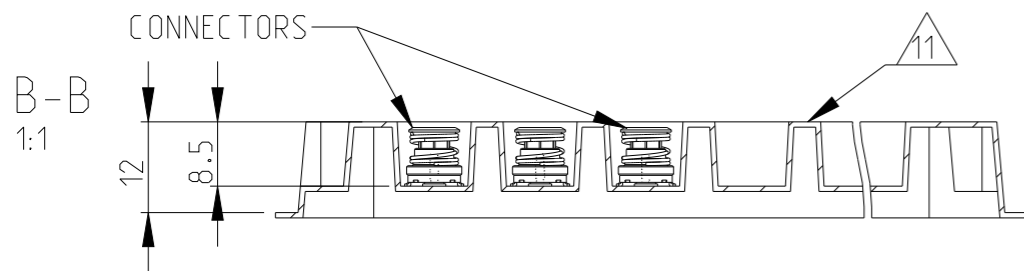
9 RECOMMENDED TARGET LAYOUT ON TARGET BOARD



ITEM	DESCRIPTION	MATERIAL	PLATING
1	DIELECTRIC	PCT / PEEK	
1	OUTER SHELL	CuZn	2
1	SPRING	STAINLESS STEEL	
1	CONTACT RING	CuSn	2
1	CENTER CONTACT ASSEMBLY	CuZn, STAINLESS STEEL	2 3
6--1			
5--1			
-1			
12 ORDER N°	10 ORDER N°	4 ORDER N°	

THIS DRAWING IS A CONTROLLED DOCUMENT.		DWN R. Luppi 29SEP2021	STE TE Connectivity
DIMENSIONS: mm		CHK D. Bozzer 04JAN05	
TOLERANCES UNLESS OTHERWISE SPECIFIED:		APVD -	NAME BOARD-TO-BOARD CONNECTOR 6.65 MM HEIGHT
0 PLC ±-		PRODUCT SPEC 108-71060	
1 PLC ±0.5		APPLICATION SPEC -	SIZE A3
2 PLC ±0.13		WEIGHT -	CAGE CODE 00779
3 PLC ±0.013		CUSTOMER DRAWING	DRAWING NO C-619135
4 PLC ±0.0001		SCALE 8:1	SHEET 2 OF 4
ANGLES ±		RESTRICTED TO -	REV B1
FINISH -			

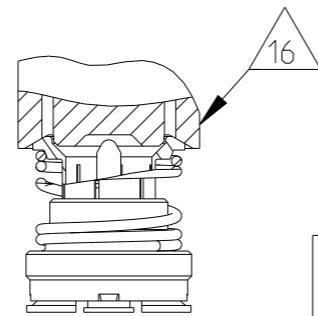
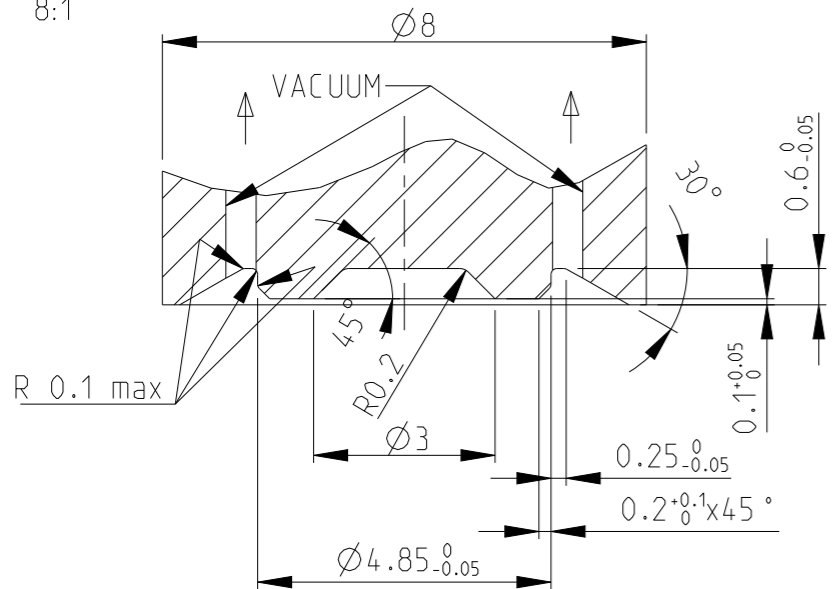
LOC	DIST	REVISIONS			
P	LTR	DESCRIPTION	DATE	DWN	APVD
GW	00	-	SEE SHEET 1	-	-



- 10 PACKAGING:
 -216 CONNECTORS PER TRAY
 -10 TRAYS PER SHIPPING BOX
 -SHIPPING BOX DIMENSIONS (LxBxH): 287x187x200
- 11 ANTISTATIC MATERIAL
- 12 PACKAGING IN TAPE AND REEL:
 -450 CONNECTORS PER REEL
 -DETAIL INFORMATION PLEASE SEE SHEET4
- 13 CONTACT FORCE FOR CENTER CONDUCTOR:
 F MAX. = 2.8 N (Total length compressed at 6.25 mm)
- 14 CONTACT FORCE FOR CONTACT RING:
 F MAX. = 5.3 N (Total length compressed at 6.25 mm)
- 15 RECOMENDED PCB CHARACTERISTICS :
 - PLATING Au , SURFACE ROUGHNESS Rz4 MAX.
 - PCB MATERIAL FR4
 - PCB THICKNESS MIN. 0.8 mm
- 16 RECOMENDED NOZZLE DESIGN

NOZZLE DETAIL 8:1

NOZZLE DETAIL 3:1

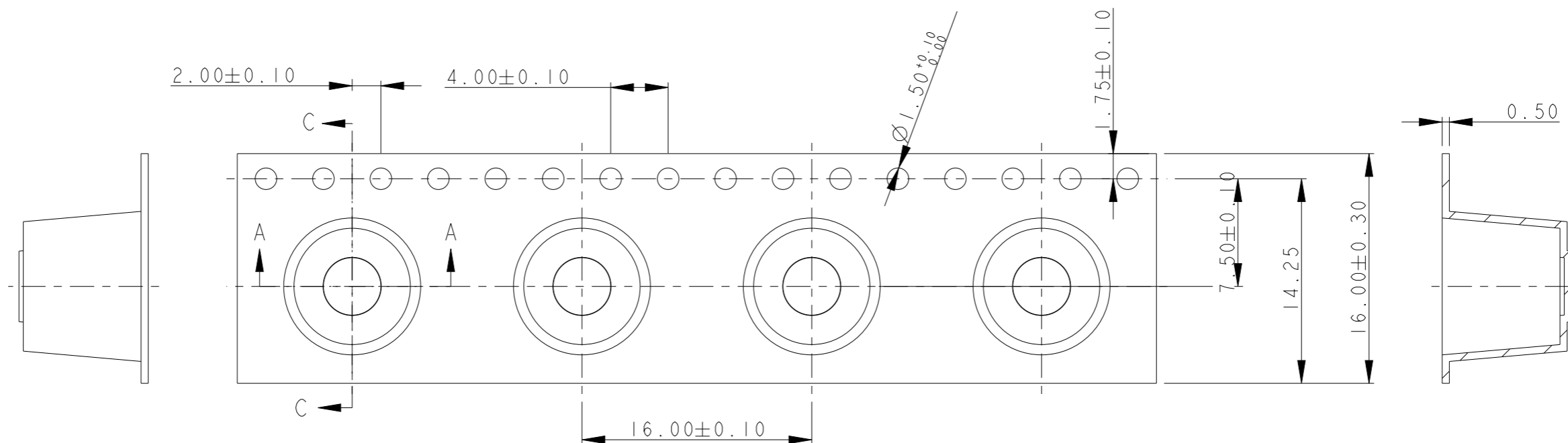


THIS DRAWING IS A CONTROLLED DOCUMENT.		DWN R. Luppi 29SEP2021	TE Connectivity	
DIMENSIONS: mm		CHK D. Bozzer 04JAN05		
TOLERANCES UNLESS OTHERWISE SPECIFIED:		APVD -	NAME BOARD-TO-BOARD CONNECTOR 6.65 MM HEIGHT	
0 PLC ± 1 PLC ±0.5 2 PLC ±0.13 3 PLC ±0.013 4 PLC ±0.0001 ANGLES ± FINISH -		PRODUCT SPEC 108-71060	SIZE A3	
MATERIAL TBD		APPLICATION SPEC -	CAGE CODE 00779	DRAWING NO C-619135
		WEIGHT -	RESTRICTED TO -	
		CUSTOMER DRAWING	SCALE 8:1	SHEET 3 OF 4 REV B1

LOC DIST
GW 00

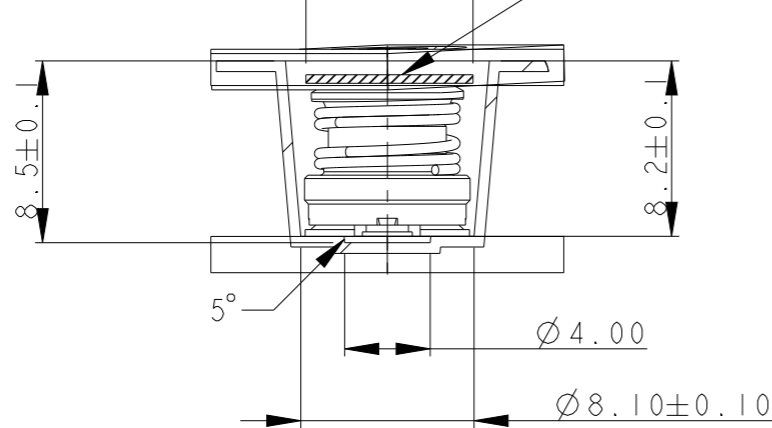
REVISIONS

P	LTR	DESCRIPTION	DATE	DWN	APVD
-	-	SEE SHEET 1	-	-	-

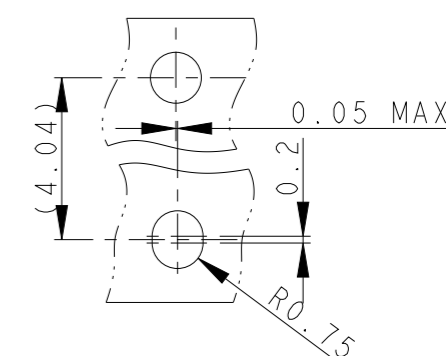
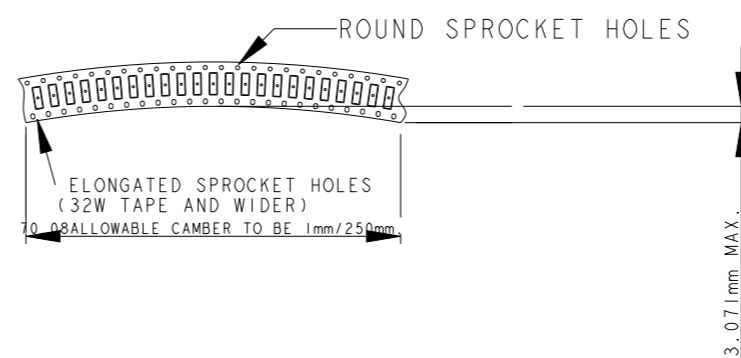


UNREELING DIRECTION →


Section A-A: $\varnothing 7.3 \pm 0.13$
About 0.2mm thickness
P/P KAPTON TAPE



A - A



DETAIL, ELONGATION AND SKEW OF SPROCKET HOLES

THIS DRAWING IS A CONTROLLED DOCUMENT.		DWN R. Luppi 29SEP2021	 TE Connectivity	
DIMENSIONS: mm		CHK D. Bozzer 04JAN05		
TOLERANCES UNLESS OTHERWISE SPECIFIED:		APVD -	NAME BOARD-TO-BOARD CONNECTOR 6.65 MM HEIGHT	
0 PLC ±	1 PLC ±0.5	PRODUCT SPEC 108-71060	SIZE A3	CAGE CODE 00779
2 PLC ±0.13	3 PLC ±0.013	APPLICATION SPEC -	DRAWING NO C-619135	RESTRICTED TO -
4 PLC ±0.0001	ANGLES ±	WEIGHT -	SCALE 8:1 SHEET 4 OF 4 REV B1	
MATERIAL TBD	FINISH -	CUSTOMER DRAWING		

X-ON Electronics

Largest Supplier of Electrical and Electronic Components

Click to view similar products for [Board to Board & Mezzanine Connectors](#) category:

Click to view products by [TE Connectivity](#) manufacturer:

Other Similar products are found below :

[589158040000018](#) [FCN-230C068-11](#) [FCN-268F012-G/BD](#) [FCN-268F036-G/BD](#) [FCN-268M012-G/0D](#) [FCN-268M024-G/1D](#) [FCN-723J004/1](#) [MIS-048-01-F-D-DP-K](#) [832-10-034-10-001000](#) [FX4C-80S-1.27DSA](#) [FCN-214Q030-G/0](#) [FCN-234P048-G/0](#) [FCN-235D050-G/C](#) [210-93-314-41-105000](#) [2-22603-0](#) [MDF7-40DP-2.54DSA\(55\)](#) [AXG720047](#) [5031084030](#) [MIT-114-03-F-D-K](#) [55323-1519](#) [DF33-2P-3.3DSA\(24\)](#) [YFT-20-05-H-03-SB-K](#) [503308-3040](#) [026-6203-PDB](#) [027-6203-PDB](#) [069159702701000](#) [10123981-102LF](#) [101A10019X](#) [55650-0588-C](#) [68684-306](#) [75140-7012](#) [589159005003045](#) [194261-1](#) [FCN-268F024-G0D](#) [10124054-515LF](#) [68685-603](#) [8-1616154-3](#) [MIS-019-01-F-D](#) [589159005002045](#) [541371078](#) [IL-WX-10PB-HF-B-E1000E](#) [FCN-268M024-G/3D](#) [20021832-06016C1LF](#) [KX15-20KLDL-E1000E](#) [MDF7-16DP-2.54DSA\(55\)](#) [AXE810124](#) [FCN-214J100-G/0](#) [FCN-230C068-E/S](#) [AXE812124](#) [AXE816124](#)