

© - TE Connectivity. All Rights Reserved.

REVISIONS					
P	LTR	DESCRIPTION	DATE	DWN	APVD
R4		REVISED PER ECO-12-017913	10OCT12	KH	MZ
S		REVISED PER ECO-17-013721	16NOV2017	RS	MZ
T		REVISED PER ECO-20-011880	28AUG2020	SG	MZ

- FINISH-SILVER PLATE 200 | IN THICK MIN.
- FINISH-NICKEL PLATE 40 | IN THICK MIN.
- FINISH-GOLD PLATE 10 | IN THICK MIN.
- FINISH-GOLD PLATE 20 | IN THICK MIN.
- FINISH-GOLD PLATE 80 | IN THICK MIN.
- FINISH-NICKEL PLATE 50 | IN THICK MIN.
- FINISH-GOLD PLATE 50 | IN THICK MIN.
- FINISH-NICKEL PLATE 100 | IN THICK MIN.
- FINISH-TIN PLATE 200 | IN THICK MIN.
- NOT USED.
- PLATING NOTES ARE TO BE INTERPRETED AS FOLLOWS, 6-8 AS 6 OVER 8.
- MATERIAL: CDA17200 BeCu.
- MATERIAL-STAINLESS STEEL.
- PRODUCT IS SOLD BY THE FOOT.
- COIL TO 3 INCH INSIDE DIAMETER.
- MATERIAL: CDA 17410 BeCu.
- OBSOLETE PART NUMBER
- MATERIAL CERTIFICATION REQUIRED.
- OBSOLETE PARTS: OBSOLETE CIS STREAMLINING PER D.RENAUD/D.SINISI

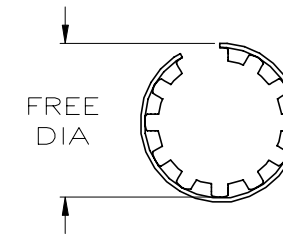
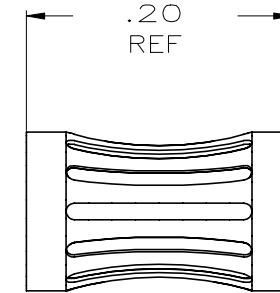
PIN #	LENGTH	STYLE	FREE DIA	(LH)	NUM LOUV	PLATING (NOTE)	MAT'L (NOTE)	MAT'L THK	REF			
[.062]		--	A	[.09]	[.016]	7	UNPL	12	0.12[.005]	05018	5-192044-0	
[.062]		--	A	[.09]	[.016]	8	7-2	12	0.10[.004]	05069	4-192044-9	OBSOLETE
[.062]		--	A	[.09]	[.016]	8	UNPL	12	0.10[.004]	05107	4-192044-8	
[.062]		--	A	[.09]	[.018]	7	4-2	12	0.10[.004]	05111	4-192044-7	OBSOLETE
[.062]		--	A	[.09]	[.018]	7	UNPL	12	0.10[.004]	05110	4-192044-6	OBSOLETE
[.047]		--	A	[.09]	[.016]	7	7-2	12	0.12[.005]	05006	4-192044-5	
[.062]		--	A	[.09]	[.016]	6	3-2	12	0.12[.005]	05005	4-192044-4	
[.040]		--	A	[.09]	[.015]	6	7-2	12	0.12[.005]	05004	4-192044-3	OBSOLETE
[.032]		--	A	[.06]	[.020]	4	UNPL	13	0.12[.005]	05041	4-192044-2	OBSOLETE
[.030]		--	A	[.06]	[.018]	4	3-2	12	0.12[.005]	05039	4-192044-1	
[.030]		--	A	[.06]	[.018]	4	1-2	12	0.12[.005]	05033	4-192044-0	OBSOLETE
[.030]		--	A	[.06]	[.018]	4	UNPL	12	0.12[.005]	05030	3-192044-9	OBSOLETE
NOT AVAILABLE		C	--	[.027]		3	3-2	12	0.12[.005]	05003	3-192044-8	OBSOLETE
--		--	C	--	[.027]	73	1-2	14	0.10[.004]	05152	3-192044-7	
--		--	C	--	[.027]	73	UNPL	14	0.10[.004]	05161	3-192044-6	
--		--	C	--	[.022]	21	1-2	12	0.12[.005]	05169	3-192044-5	
--		--	C	--	[.022]	21	UNPL	12	0.12[.005]	05168	3-192044-4	
--		--	C	--	[.022]	17	UNPL	12	0.12[.005]	--	3-192044-3	
--		--	C	--	[.022]	17	5-6	12	0.12[.005]	05127	3-192044-2	
--		--	C	--	[.022]	13	1-2	12	0.12[.005]	05136	3-192044-1	
--	15 [72]	C	--	[.022]		--	4-2	12	0.10[.004]	05116	3-192044-0	OBSOLETE
--	15 [144]	C	--	[.022]		--	UNPL	12	0.10[.004]	05117	2-192044-9	
--	[72]	C	--	[.022]		--	1-2	12	0.10[.004]	05181	2-192044-8	
SUPERSEDED BY 193792-2										05159	2-192044-7	
SUPERSEDED BY 193792-1										05158	2-192044-6	
--	NOTE 14	C	--	[.022]		--	3-2	12	0.15[.006]	05001	2-192044-5	
--	NOTE 14	C	--	[.022]		--	UNPL	12	0.15[.006]	05150	2-192044-4	
--	NOTE 14	C	--	[.018]		--	1-2	12	0.15[.006]	05000	2-192044-3	
--	NOTE 14	C	--	[.018]		--	UNPL	12	0.15[.006]	05058	2-192044-2	
--	NOTE 14	C	--	[.022]		--	3-2	12	0.12[.005]	05035	2-192044-1	
SUPERSEDED BY 1-192044-9										05095	2-192044-0	
--	NOTE 14	C	--	[.022]		--	1-2	12	0.12[.005]	05063	1-192044-9	
--	NOTE 14	C	--	[.022]		--	UNPL	12	0.12[.005]	05037	1-192044-8	
--	NOTE 14	C	--	[.018]		--	3-2	12	0.12[.005]	05036	1-192044-7	
--	NOTE 14	C	--	[.018]		--	1-2	12	0.12[.005]	05080	1-192044-6	
--	NOTE 14	C	--	[.018]		--	UNPL	12	0.12[.005]	05034	1-192044-5	OBSOLETE
--	NOTE 14	C	--	[.022]		--	UNPL	14	0.12[.005]	05139	1-192044-4	
--	NOTE 14	C	--	[.022]		--	UNPL	14	0.10[.004]	05142	1-192044-3	
NOT AVAILABLE											1-192044-2	
NOT AVAILABLE											1-192044-1	
NOT AVAILABLE											1-192044-0	
NOT AVAILABLE											192044-9	
NOT AVAILABLE											192044-8	
NOT AVAILABLE											192044-7	
NOT AVAILABLE											192044-6	
NOT AVAILABLE											192044-5	
NOT AVAILABLE											192044-4	
NOT AVAILABLE											192044-3	
NOT AVAILABLE											192044-2	
NOT AVAILABLE											192044-1	
PIN #	LENGTH	STYLE	FREE DIA	(LH)	NUM LOUV	PLATING (NOTE)	MAT'L (NOTE)	MAT'L THK	REF			

THIS DRAWING IS A CONTROLLED DOCUMENT.		DWN RA JAYNE 12-13/91	STE TE Connectivity Ltd.	
DIMENSIONS: INCHES		CHK J.TURNER 08-04-93		
TOLERANCES UNLESS OTHERWISE SPECIFIED:		APVD S. SIEGRIST 8/5/93	NAME	
0 PLC ± -		PRODUCT SPEC		
1 PLC ± -		APPLICATION SPEC		
2 PLC ± .02		SIZE CAGE CODE DRAWING NO RESTRICTED TO		
3 PLC ± .010		A2 00779 C-192044		
4 PLC ± -		SCALE NTS SHEET 1 OF 2 REV T		
ANGLES ± -		CUSTOMER DRAWING		
MATERIAL SEE TABLE		FINISH SEE TABLE		

P	LTR	DESCRIPTION	DATE	DWN	APVD
-	-	SEE SHEET 1	-	-	-

D

D



STYLE A
(FEMALE)

C

C

FREE DIA	(LH)	STYLE	LENGTH	MATING	NUM LOUV	PLATING (NOTE)	MAT'L (NOTE)	MAT'L THK	REF	PART NO.	
[.20]	[.022]	A	--	[.157]	18	3-2	12	0.12[.005]	05013	9-192044-9	
[.20]	[.022]	A	--	[.157]	18	1-2	12	0.12[.005]	05130	9-192044-8	
[.20]	[.022]	A	--	[.157]	18	UNPL	12	0.12[.005]	05131	9-192044-7	
[.20]	[.018]	A	--	[.152]	16	7-2	12	0.15[.006]	05012	9-192044-6	
[.20]	[.018]	A	--	[.150]	16	7-2	12	0.12[.005]	05011	9-192044-5	OBSOLETE
[.19]	[.018]	A	--	[.143]	17	3-2	12	0.12[.005]	05098	9-192044-4	
[.19]	[.018]	A	--	[.143]	17	1-2	12	0.12[.005]	05188	9-192044-3	
[.19]	[.018]	A	--	[.143]	17	UNPL	12	0.12[.005]	05153	9-192044-2	
[.16]	[.015]	--	--	[.125]	14	3-2	12	0.15[.006]	05010	9-192044-1	△19
[.16]	[.015]	--	--	[.125]	14	1-2	12	0.15[.006]	05057	9-192044-0	
[.15]	[.015]	A	--	[.125]	14	UNPL	12	0.15[.006]	05154	8-192044-9	
[.15]	[.015]	A	--	[.125]	13	UNPL	12	0.15[.006]	05047	8-192044-8	
[.15]	[.022]	A	--	[.125]	13	UNPL	13	0.12[.005]	05026	8-192044-7	

SUPERSEDED BY 193670-4

[.16]	[.015]	A	--	[.125]	14	7-2	12	0.12[.005]	05183	8-192044-6	OBSOLETE
[.16]	[.015]	A	--	[.125]	14	3-2	12	0.12[.005]	05109	8-192044-5	△19
[.16]	[.015]	A	--	[.125]	14	1-2	12	0.12[.005]	05060	8-192044-4	
[.16]	[.015]	A	--	[.125]	14	UNPL	12	0.12[.005]	05061	8-192044-3	
[.16]	[.015]	A	--	[.125]	14	UNPL	12	0.12[.005]	05062	8-192044-2	OBSOLETE
[.16]	[.018]	A	--	[.125]	14	4-2	12	0.10[.004]	05068	8-192044-1	△19
[.16]	[.018]	A	--	[.125]	14	8	12	0.10[.004]	05132	8-192044-1	
[.16]	[.018]	A	--	[.125]	14	UNPL	12	0.10[.004]	05149	8-192044-0	
[.16]	[.018]	A	--	[.125]	14	UNPL	12	0.10[.004]	05070	7-192044-9	

SUPERSEDED BY 7-192044-9

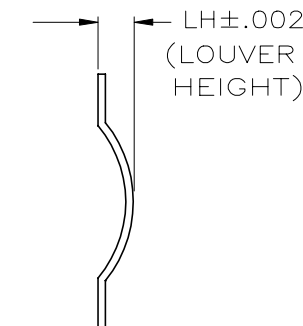
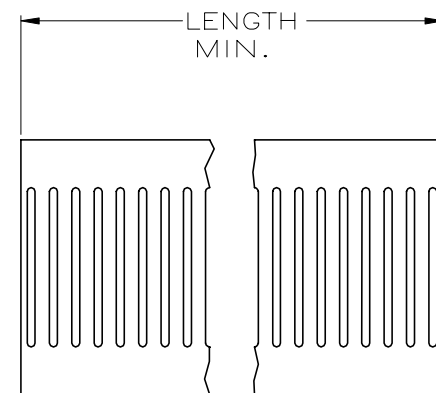
[.20]	[.018]	A	--	[.125]	14	UNPL	12	0.07[.003]	05068	7-192044-8	OBSOLETE
[.20]	[.018]	A	--	[.125]	14	UNPL	12	0.07[.003]	05079	7-192044-7	△19

SUPERSEDED BY 8-192044-4

[.06]	[.022]	A	--	[.030]	4	3-2	12	0.10[.004]	--	7-192044-6	
[.06]	[.022]	A	--	[.030]	4	UNPL	12	0.10[.004]	05009	7-192044-5	△19
[.06]	[.022]	A	--	[.030]	4	UNPL	12	0.10[.004]	05008	7-192044-4	
[.13]	[.018]	A	--	[.094]	11	UNPL	12	0.15[.006]	05053	7-192044-3	
[.14]	[.016]	A	--	[.093]	12	3-2	12	0.12[.005]	05126	7-192044-2	OBSOLETE
[.14]	[.016]	A	--	[.093]	12	3-2	12	0.12[.005]	05160	7-192044-1	

B

B



STYLE C
(STRIP)

[.14]	[.016]	A	--	[.093]	12	1-2	12	0.12[.005]	05128	7-192044-0	
[.14]	[.016]	A	--	[.093]	12	UNPL	12	0.12[.005]	05125	6-192044-9	
[.12]	[.022]	A	--	[.080]	10	8	12	0.20[.008]	05173	6-192044-8	OBSOLETE
[.12]	[.022]	A	--	[.080]	10	7-2	12	0.20[.008]	05124	6-192044-7	△19
[.12]	[.022]	A	--	[.080]	10	3-2	12	0.20[.008]	05124	6-192044-7	
[.12]	[.022]	A	--	[.080]	10	UNPL	12	0.20[.008]	05007	6-192044-6	OBSOLETE
[.12]	[.022]	A	--	[.080]	10	UNPL	12	0.20[.008]	05044	6-192044-5	△19
[.12]	[.021]	A	--	[.080]	9	3-2	12	0.12[.005]	05179	6-192044-4	
[.12]	[.021]	A	--	[.080]	9	UNPL	12	0.12[.005]	05180	6-192044-3	
[.12]	[.018]	A	--	[.080]	9	7-2	12	0.10[.004]	05172	6-192044-2	OBSOLETE
[.12]	[.018]	A	--	[.080]	9	4-2	12	0.10[.004]	05112	6-192044-1	△19
[.12]	[.018]	A	--	[.080]	9	1-2	12	0.10[.004]	05118	6-192044-0	
[.12]	[.018]	A	--	[.080]	9	UNPL	12	0.10[.004]	05108	5-192044-9	OBSOLETE
[.09]	[.020]	A	--	[.065]	8	UNPL	13	0.12[.005]	05031	5-192044-8	OBSOLETE
[.09]	[.020]	A	--	[.062]	7	UNPL	13	0.12[.005]	05023	5-192044-7	OBSOLETE
[.09]	[.015]	A	--	[.062]	8	3-2	12	0.12[.005]	05042	5-192044-6	△19
[.09]	[.015]	A	--	[.062]	8	1-2	12	0.12[.005]	05059	5-192044-5	OBSOLETE
[.09]	[.015]	A	--	[.062]	8	--	12	0.12[.005]	05056	5-192044-4	
[.09]	[.015]	A	--	[.062]	8	UNPL	12	0.12[.005]	05104	5-192044-3	OBSOLETE
[.09]	[.016]	A	--	[.062]	8	UNPL	12	0.12[.005]	05105	5-192044-2	△19
[.09]	[.016]	A	--	[.062]	7	6-2	12	0.12[.005]	05106	5-192044-1	

A

A

THIS DRAWING IS A CONTROLLED DOCUMENT.

DWN	RA JAYNE	12-13/91	STE TE Connectivity Ltd.
CHK	J.TURNER	08-04-93	
APVD	S. SIEGRIST	8/5/93	NAME
PRODUCT SPEC	CONTACT BAND,FEMALE		
APPLICATION SPEC	SIZE CAGE CODE DRAWING NO RESTRICTED TO		
WEIGHT	-	A2 00779	C-192044
CUSTOMER DRAWING		SCALE	SHEET 2 of 2 REV T

192044

X-ON Electronics

Largest Supplier of Electrical and Electronic Components

Click to view similar products for [Heavy Duty Power Connectors](#) category:

Click to view products by [TE Connectivity](#) manufacturer:

Other Similar products are found below :

[647757-1](#) [6643411-1](#) [6646058-2](#) [6646137-1](#) [6646138-1](#) [6646479-1](#) [6646608-1](#) [6646786-1](#) [6646940-1](#) [6651091-1](#) [6651525-1](#) [6651529-1](#)
[6651788-1](#) [696475-1](#) [702-32-01109](#) [703-25-02205](#) [73000005059](#) [73000005642](#) [73080255059](#) [73080965046](#) [765-15-0080A](#) [765-16-0080B](#)
[765-18-0080D](#) [829992-1](#) [902-77-02113](#) [PS00/A0620/6300](#) [PS25/A0420/63](#) [129-1J](#) [1409400](#) [AN0024023](#) [E6374G1](#) [e6389g2](#) [157-43GW8](#)
[MS3117-14AC](#) [1643543-1](#) [1650540-1](#) [1651811-2](#) [1766260-1](#) [1766282-1](#) [1766966-1](#) [1791340000](#) [NLDFT-3-BL-L-S120-M40A](#) [NLDFT-N-](#)
[W-L-C240-M40B](#) [NLS-2-R-C240-M40B](#) [NLS-N-W-C240-M40B](#) [NPS-3-BL-T6](#) [1986615-1](#) [2-1589900-8](#) [2199314-1](#) [KA8102](#)