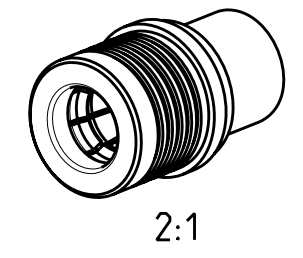
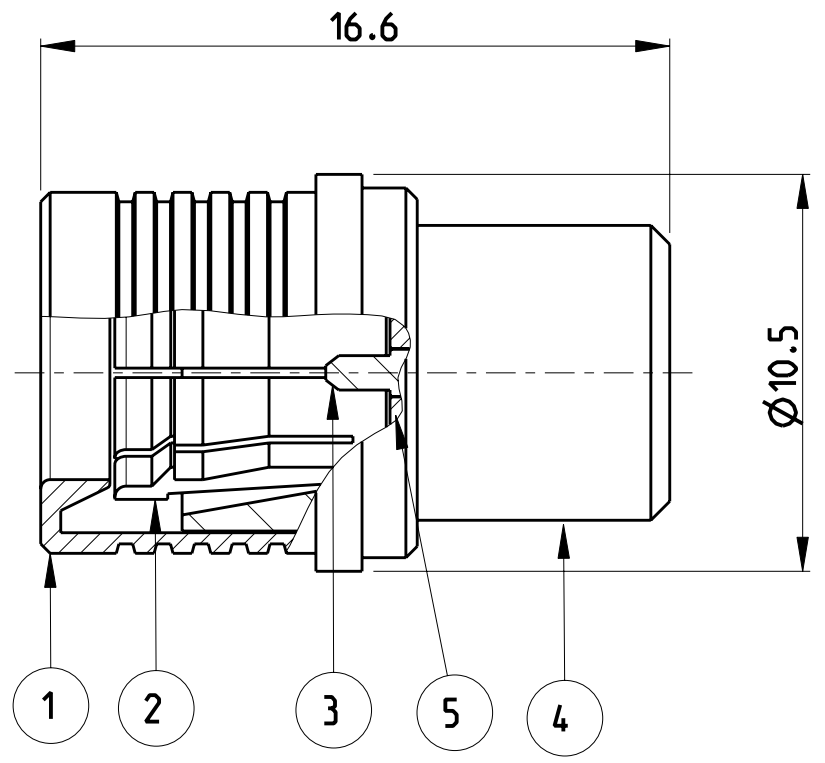


THIS DRAWING IS UNPUBLISHED. RELEASED FOR PUBLICATION 2006
 © COPYRIGHT 2006 BY TYCO ELECTRONICS CORPORATION. ALL RIGHTS RESERVED.

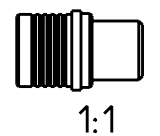
LOC	DIST	REVISIONS			
P	LTR	DESCRIPTION	DATE	DWN	APVD
IS	-	A	Released to production	08.11.2006	MS DB



619271-1 2	5	Dielectric	PTFE	None	1
	4	Housing	Brass	min. 0.15 µm Au over min. 2 µm NiP over min. 0.2 µm Cu	1
	3	Center conductor	Brass	min. 0.15 µm Au over min. 2 µm NiP over min. 0.2 µm Cu	1
	2	Outer conductor	CuBe/Bronze	min. 0.2 µm Au over min. 2 µm NiP over min. 0.5 µm Cu	1
	1	Release ring	Bronze/Brass	min. 2 µm CuSnZn alloy over min. 0.2 µm Cu	1
Part Nr	Item	Description	Material	Plating	Qty

- 1 General tolerances acc. to ISO 2768-mH
- 2 Bulk packaging
- 3) CHARACTERISTIC IMPEDENCE 50 Ohm

<small>THIS DRAWING IS A CONTROLLED DOCUMENT FOR TYCO ELECTRONICS CORPORATION. IT IS SUBJECT TO CHANGE AND THE CONTROLLING ENGINEERING ORGANIZATION SHOULD BE CONTACTED FOR THE LATEST REVISION.</small>		DWN R.Luppi 01JUN2006 CHK D.Bozzer 01JUN2006 APVD - PRODUCT SPEC - APPLICATION SPEC - WEIGHT -		tyco Electronics tyco Electronics Switzerland - Lugano NAME QMA Plug Terminator SIZE A3 CAGE CODE 00779 DRAWING NO. C-619271 RESTRICTED TO -	
DIMENSIONS: mm 	TOLERANCES UNLESS OTHERWISE SPECIFIED: 0 PLC ± 1 PLC ± 2 PLC ± 3 PLC ± 4 PLC ± ANGLES ±°	MATERIAL - FINISH - SCALE 5:1 SHEET 1 OF 1 REV A		CUSTOMER DRAWING	



X-ON Electronics

Largest Supplier of Electrical and Electronic Components

Click to view similar products for [RF Terminators](#) category:

Click to view products by [TE Connectivity](#) manufacturer:

Other Similar products are found below :

[M390303-02N](#) [M39030/3-04S](#) [M39030/3-09S](#) [M39030/3-11N](#) [TNG1-9-78-D3](#) [TNA2-50](#) [TNG1-6-78](#) [TNH1-1-50](#) [R404280000](#) [TNGFL1-1-78](#) [R4042N5000](#) [R404518000](#) [53S1RR-001N3](#) [142275](#) [56S1RR-001N4](#) [18S15R-0.5E3](#) [65_BNC-50-0-7/133_NE](#) [71S1RR-001N4](#) [02S17R-001D3](#) [R404240120](#) [R404260000](#) [HT-10-2](#) [FL LCX 50-OHM-RSMA](#) [M39030/3-04N](#) [TNA1-6-50](#) [131-3801-811](#) [TNA1-1-50](#) [65_N-50-0-51/113_NE](#) [65_BNC-50-0-2/133_NE](#) [65_N-50-0-1/133_NE](#) [65002_N-50-1/122_NE](#) [65_MMCX-50-0-31/111_OE](#) [18K15R-0.5E3](#) [2702702](#) [TRM-2161-M0-35M-02](#) [53S17R-001N3](#) [1100.19.0001](#) [18S24H-40ML5](#) [TRM-2053-M0-NNN-02](#) [R404759000](#) [M39030/6-02N](#) [TRM-2080-M0-NNN-07](#) [TRM-2053-MC-NNN-02](#) [M39030/3-03S](#) [SF8012-6009](#) [6701.01.A](#) [65_MCX-50-0-4/111_NE](#) [65_716-50-0-2/003_-E](#) [65_SMB-50-0-1/111_NE](#) [M39030/3-12N](#)