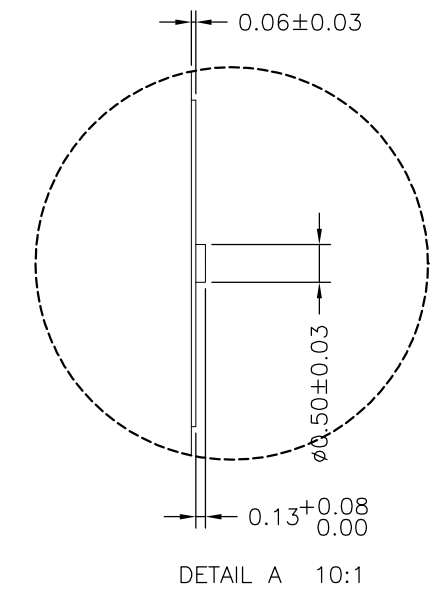
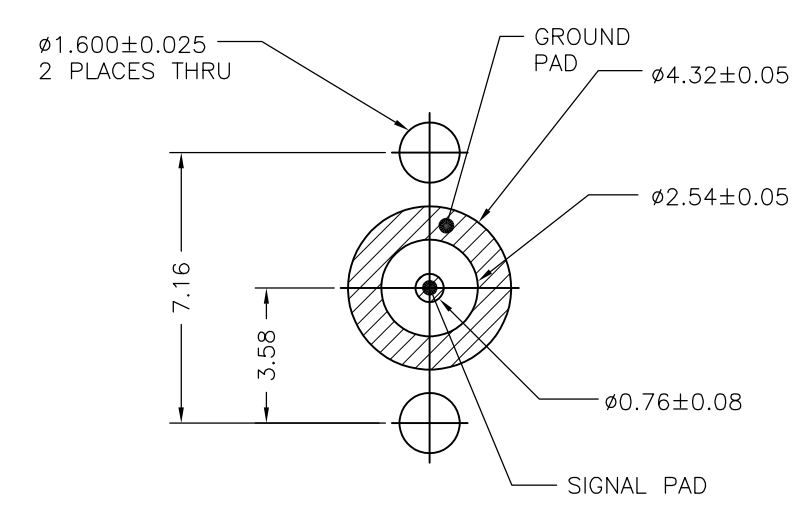
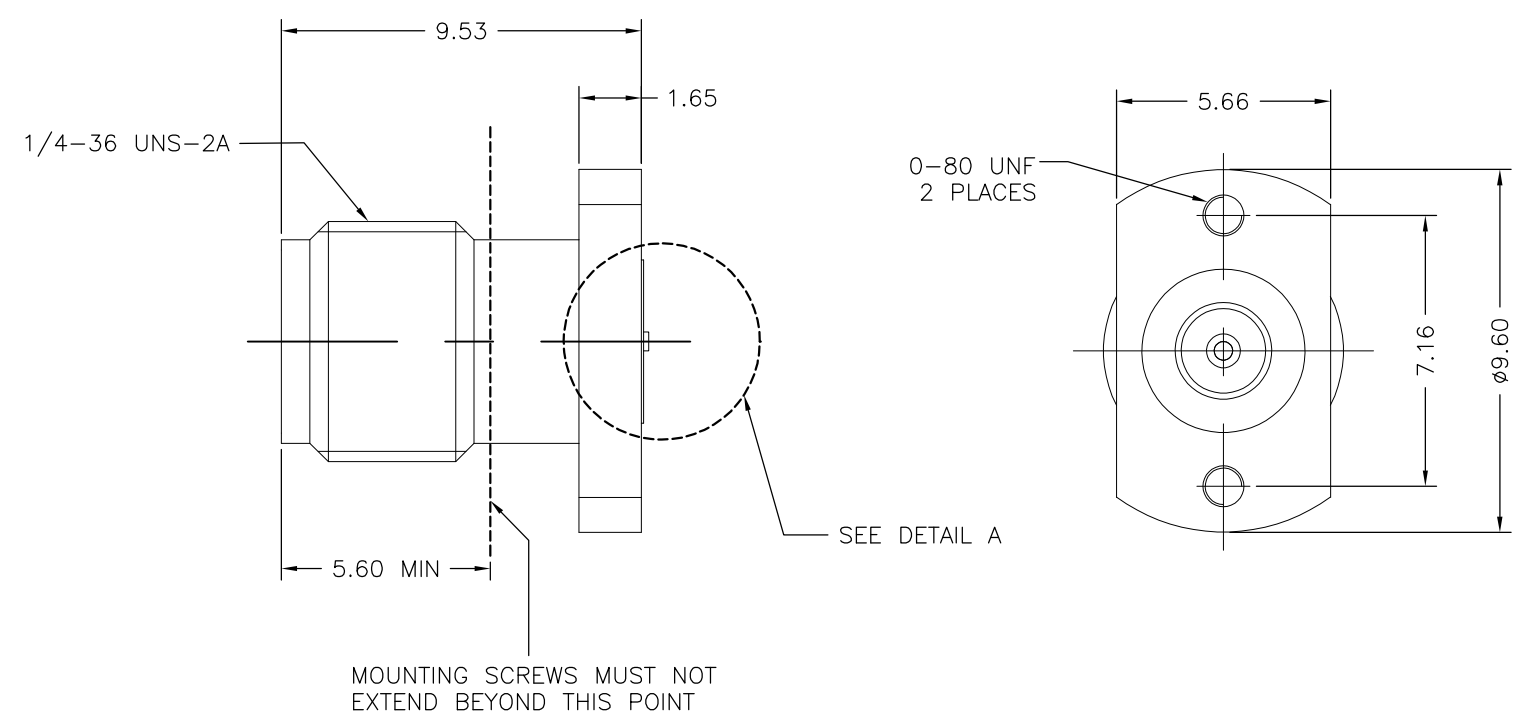



THIS DRAWING IS UNPUBLISHED. RELEASED FOR PUBLICATION  
 © COPYRIGHT - By - ALL RIGHTS RESERVED.

LOC		DIST		REVISIONS			
P	LTR	DESCRIPTION		DATE	DWN	APVD	
	A	RELEASE		27SEP2012	BL	MY	

NOTE:  
 MATERIAL AND FINISH  
 1. BODY: STAINLESS STEEL PASSIVATE  
 2. CENTER CONTACT: BERYLLIUM COPPER PLATED GOLD  
 3. DIELECTRIC: PTFE



619550-1  
 PART NUMBER

THIS DRAWING IS A CONTROLLED DOCUMENT.		DWN BING LIU 27 SEP 2012	 TE Connectivity NAME SMA JACK 2 H FLANGE											
DIMENSIONS: mm		CHK RITA ZUO 27 SEP 2012												
TOLERANCES UNLESS OTHERWISE SPECIFIED:		APVD MARTIN YE 27 SEP 2012												
<table border="1"> <tr><td>0 PLC</td><td><math>\pm -</math></td></tr> <tr><td>1 PLC</td><td><math>\pm 0.2</math></td></tr> <tr><td>2 PLC</td><td><math>\pm 0.10</math></td></tr> <tr><td>3 PLC</td><td><math>\pm -</math></td></tr> <tr><td>4 PLC</td><td><math>\pm -</math></td></tr> <tr><td>ANGLES</td><td><math>\pm 1</math></td></tr> </table>		0 PLC				$\pm -$	1 PLC	$\pm 0.2$	2 PLC	$\pm 0.10$	3 PLC	$\pm -$	4 PLC	$\pm -$
0 PLC	$\pm -$													
1 PLC	$\pm 0.2$													
2 PLC	$\pm 0.10$													
3 PLC	$\pm -$													
4 PLC	$\pm -$													
ANGLES	$\pm 1$													
MATERIAL SEE TABLE	FINISH SEE TABLE	APPLICATION SPEC	SIZE A3	CAGE CODE 00779	DRAWING NO C-619550	RESTRICTED TO								
CUSTOMER DRAWING			SCALE 5:1	SHEET 1 OF 1	REV A									

## X-ON Electronics

Largest Supplier of Electrical and Electronic Components

*Click to view similar products for [RF Connectors](#) / [Coaxial Connectors](#) category:*

*Click to view products by [TE Connectivity](#) manufacturer:*

Other Similar products are found below :

[R125315120](#) [8915-1511-000](#) [89674-0827](#) [5916-1103-603](#) [0106-001-000](#) [6-0001-3](#) [6001-7071-019](#) [6002-7051-003](#) [6002-7551-202](#) [6059674-1](#) [619550-1](#) [630059-000](#) [M39012/25-0021](#) [M39012/79-3008](#) [M39030/3-01N](#) [M39030/3-03N](#) [M3933/25-29N](#) [M3933/25-36N](#) [6500-7071-046](#) [6501-1071-002](#) [M83723/72W24576](#) [M83723/72W2457N](#) [6769](#) [CX050L2AQ](#) [7002-1541-010](#) [7003-1572-002](#) [7004-1512-000](#) [7009-1511-004](#) [7010-1511-000](#) [7029-1511-060](#) [7101-1541-010](#) [7101-1571-002](#) [7105-1521-002](#) [7145-1521-002](#) [7209-1511-011](#) [7210-1511-012](#) [7210-1511-015](#) [7210-1511-019](#) [7210-1511-040](#) [7225-1512-050](#) [7242-1511-000](#) [73137-5015](#) [73216-2241](#) [73251-0111](#) [73251-0672](#) [73276-1501](#) [73366-0013](#) [73404-2300](#) [73413-6080](#) [734151610](#)