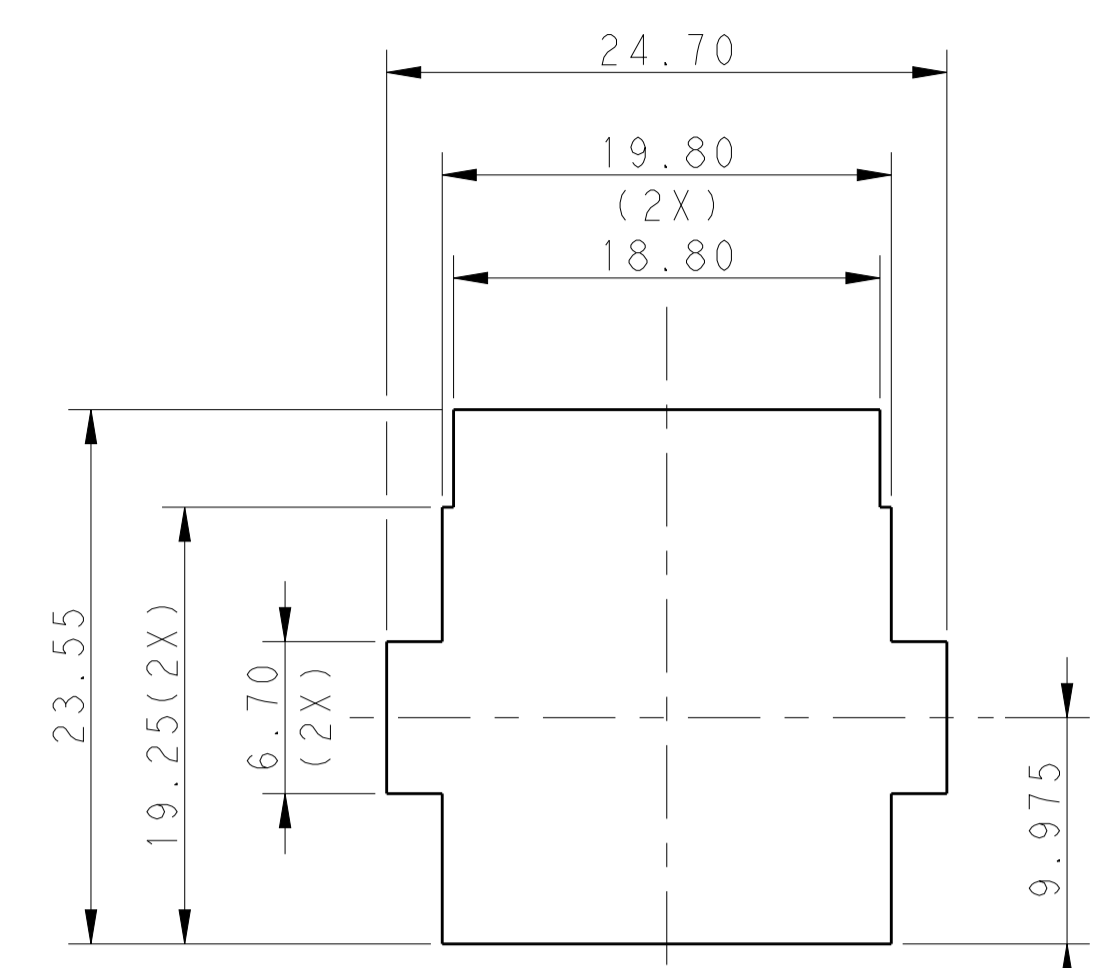
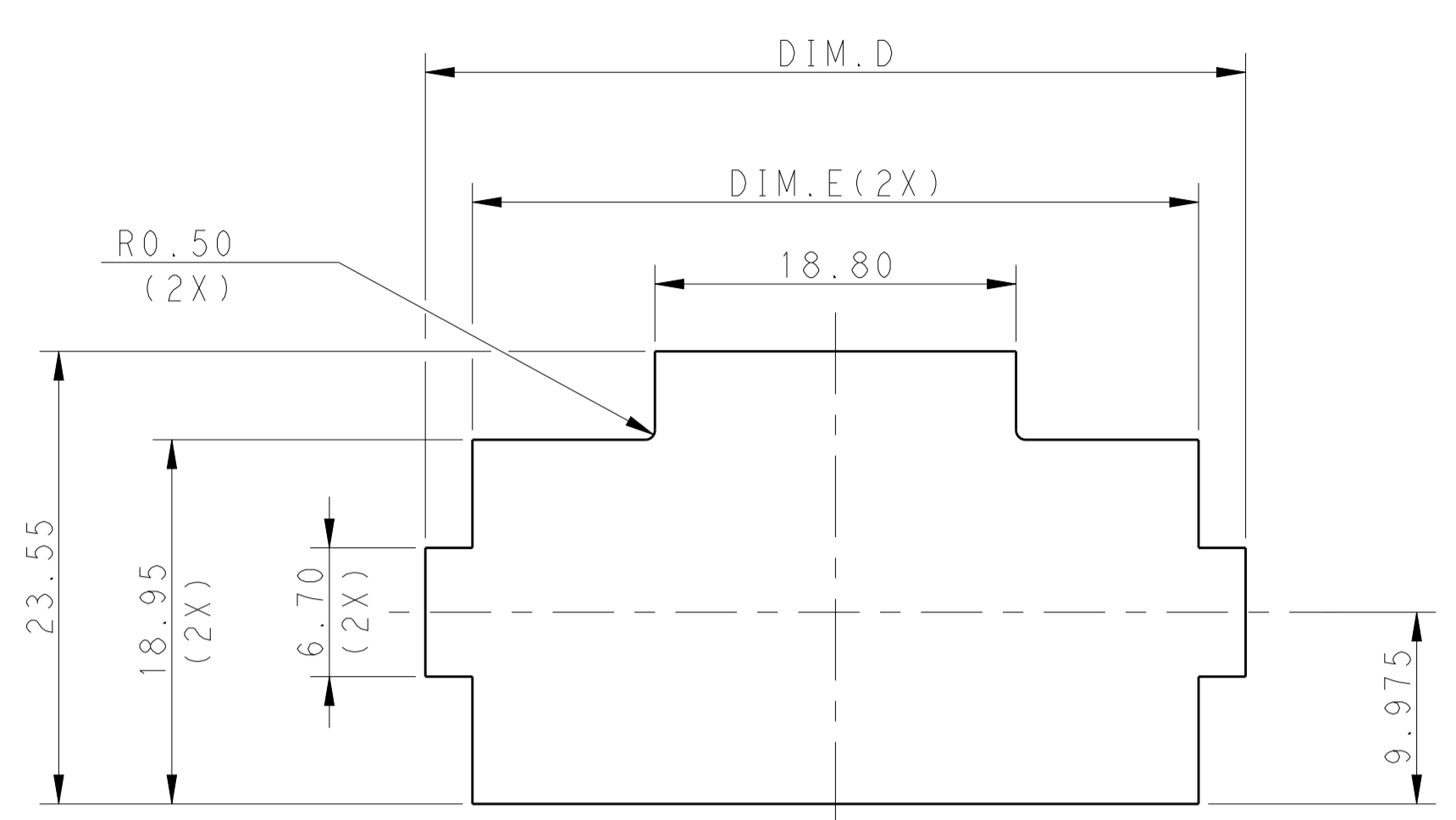
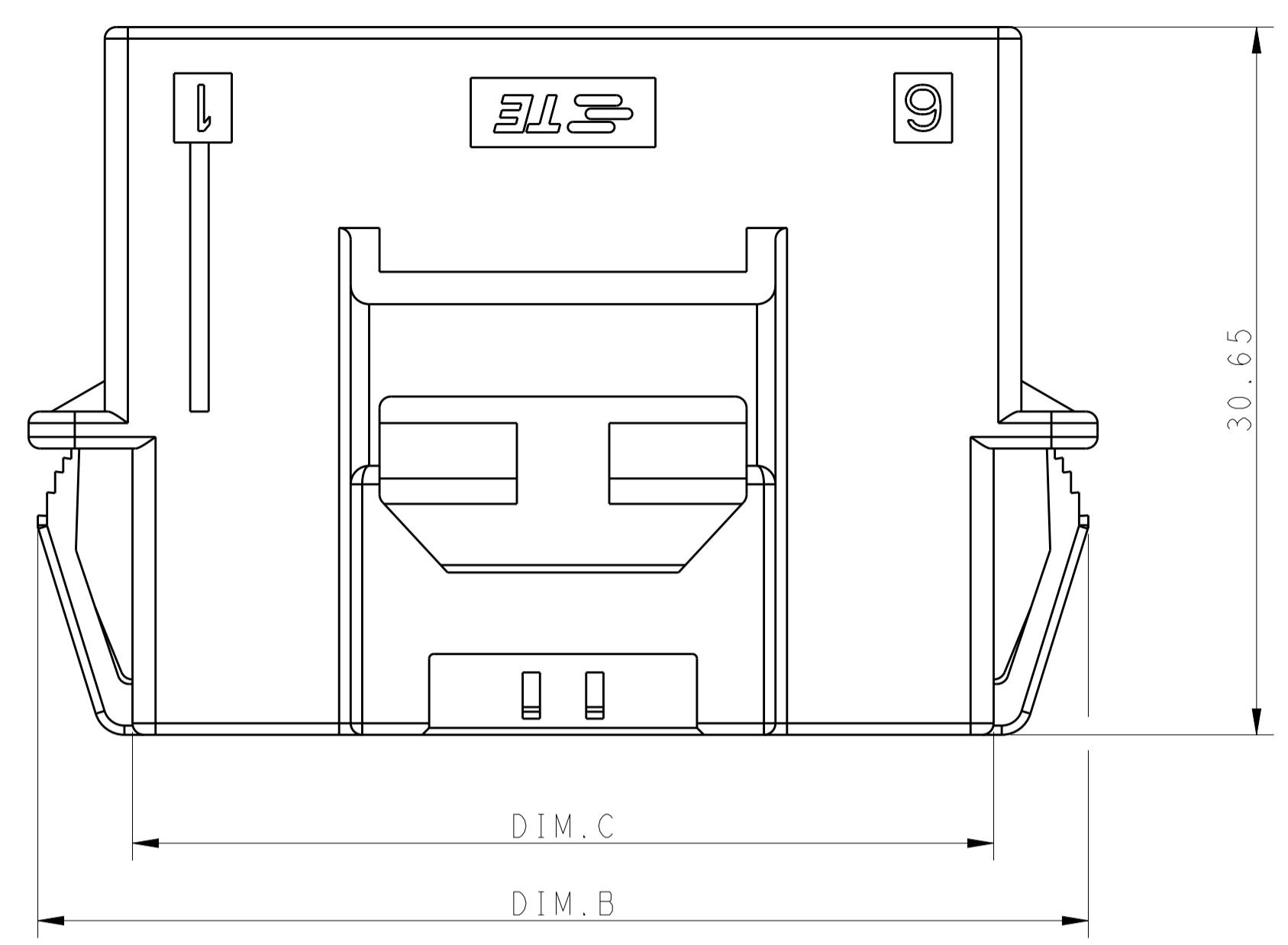
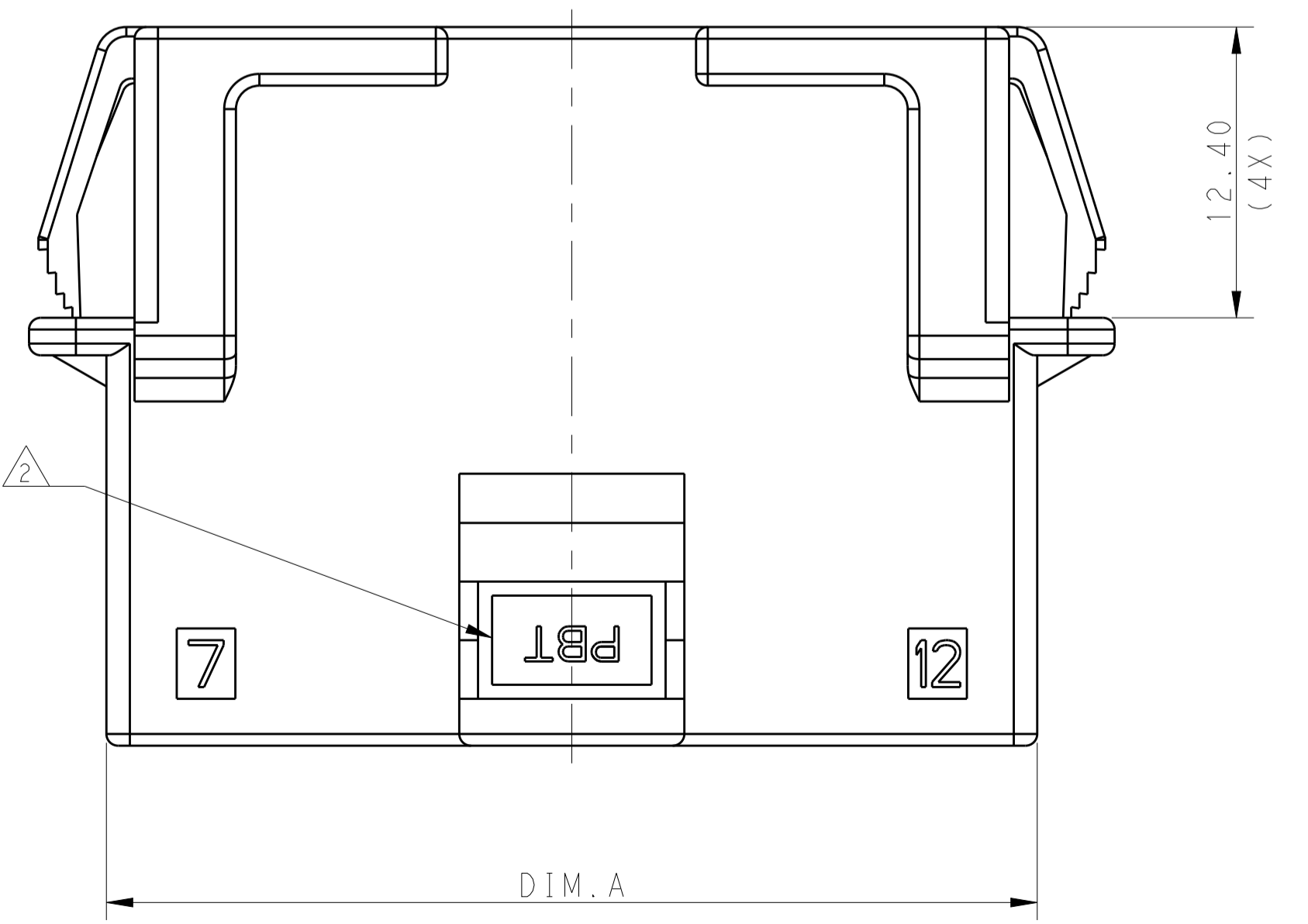
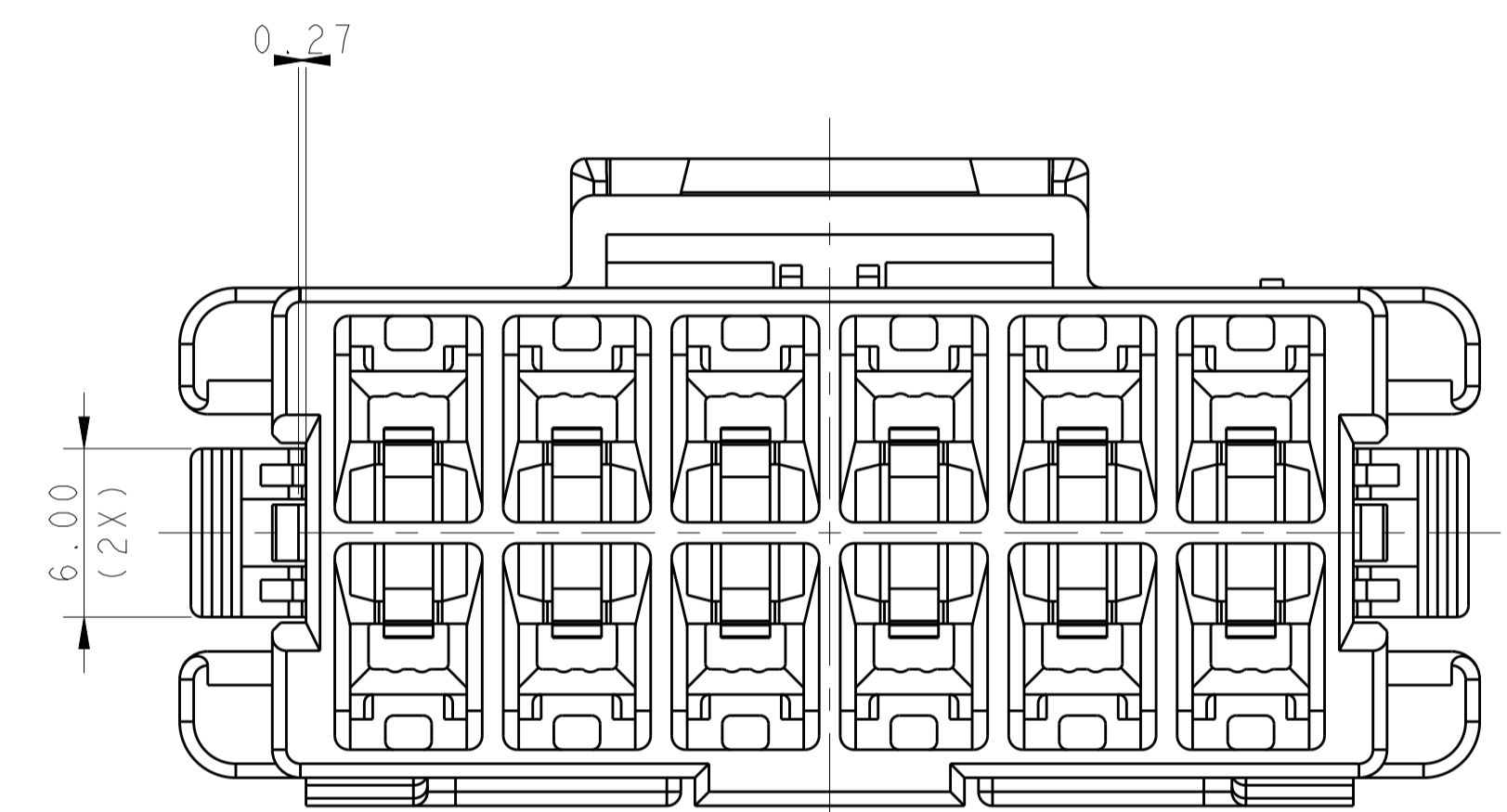
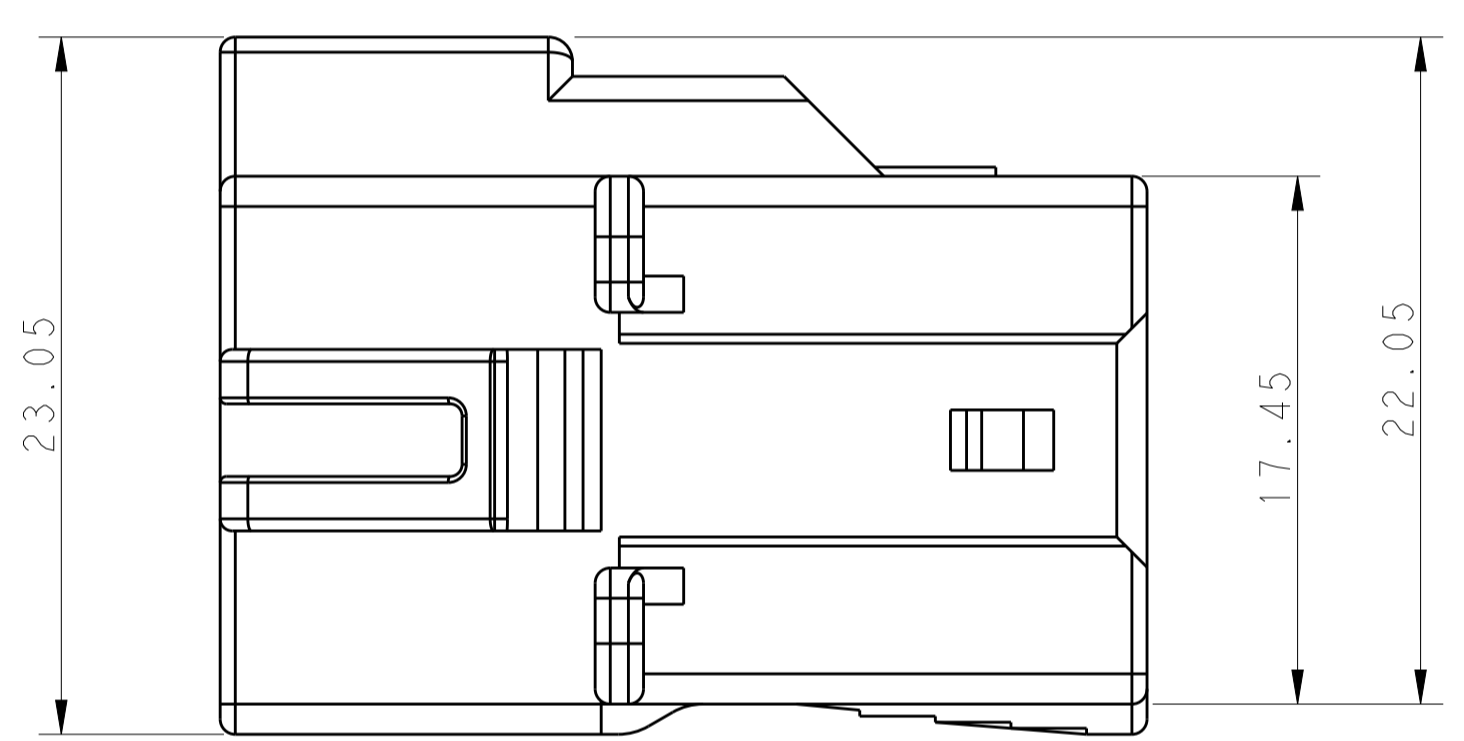
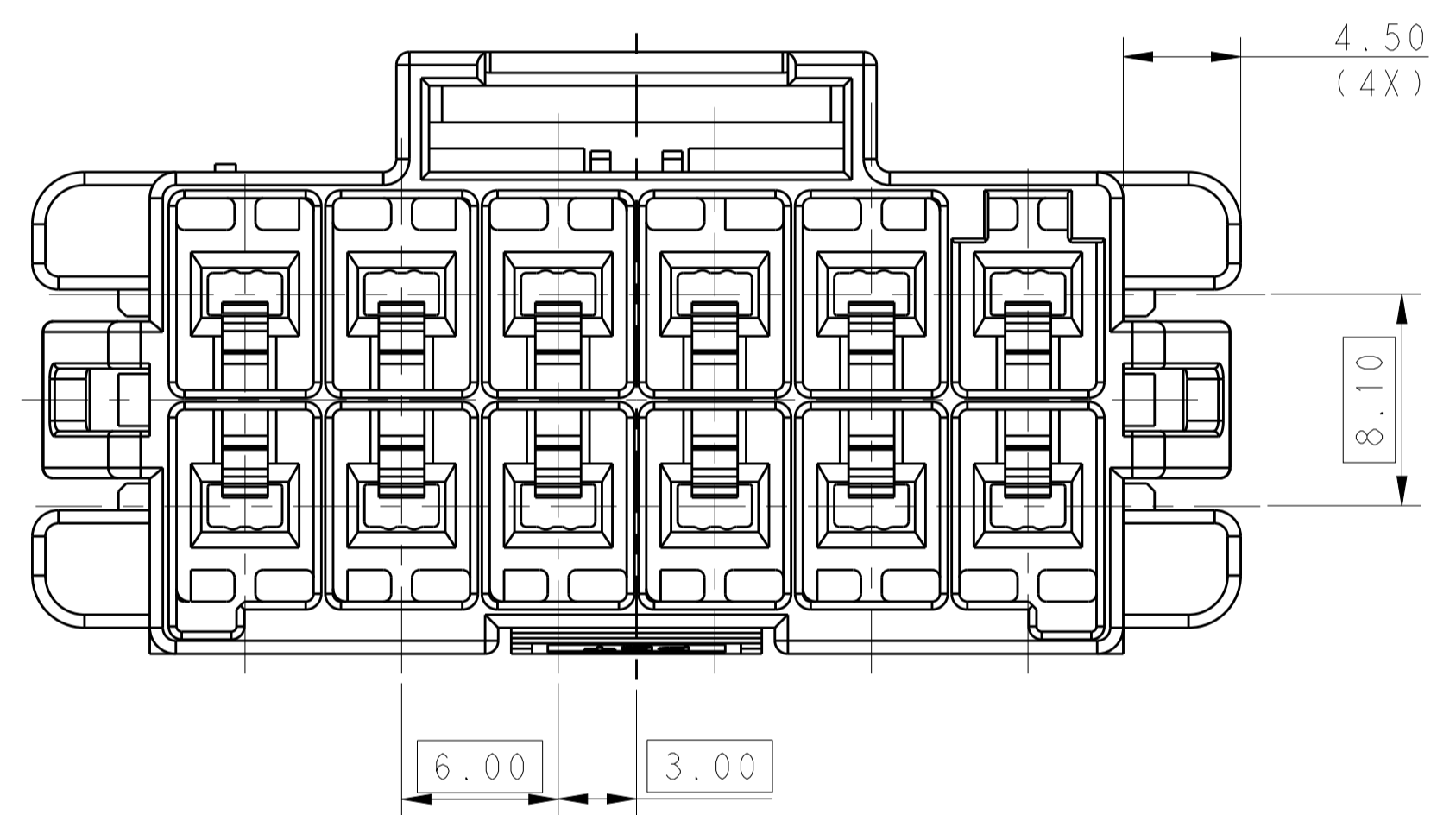


| LOC | | DIST | | REVISIONS | | | | |
|-----|-----|---------------------------|-----------|-----------|------|--|--|--|
| P | LTN | DESCRIPTION | DATE | DWN | APVD | | | |
| D | | REVISED PER ECO-19-004050 | 22APR2019 | RS | GJ | | | |
| D1 | | REVISED PER ECO-19-017455 | 15NOV2019 | BKW | DS | | | |



RECOMMENDED PANEL OPENING DIMENSIONS FOR CAP HOUSING 2*6 AND 2*5 AND 2*4 POSITIONS (TOLERANCE: ±0.15mm)

RECOMMENDED PANEL OPENING DIMENSIONS FOR CAP HOUSING 2*3 POSITION (TOLERANCE: ±0.15mm)



△ MATERIAL:
 LEVEL 1: PBT, STANDARD TEMPERATURE 105°C
 KEY A: NATURAL; KEY B: PURPLE; KEY C: BLUE; KEY D: YELLOW
 LEVEL 2: NYLON, HIGH TEMPERATURE 150°C
 KEY A: LIGHT GREY; KEY B: RED; KEY C: BLACK; KEY D: NATURAL

△ MATERIAL MARK:
 LEVEL 1: PBT, LEVEL 2: HDT

3. APPLICABLE CONTACT P/N
 TAB CONTACT: 1971238/1971780/82/84/86/88-*, 2238067-*

4. MATING CONN, P/N
 PLUG HSG: *-1971776-
 TPA (LOCK PLATE): *-1971778-*

5. RECOMMENDED PANEL THICKNESS: 1.0-2.0mm

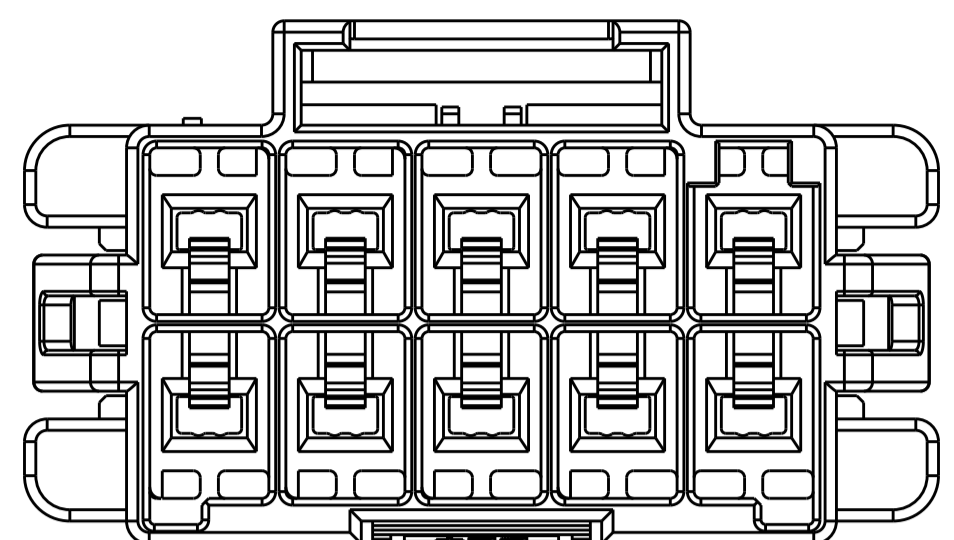
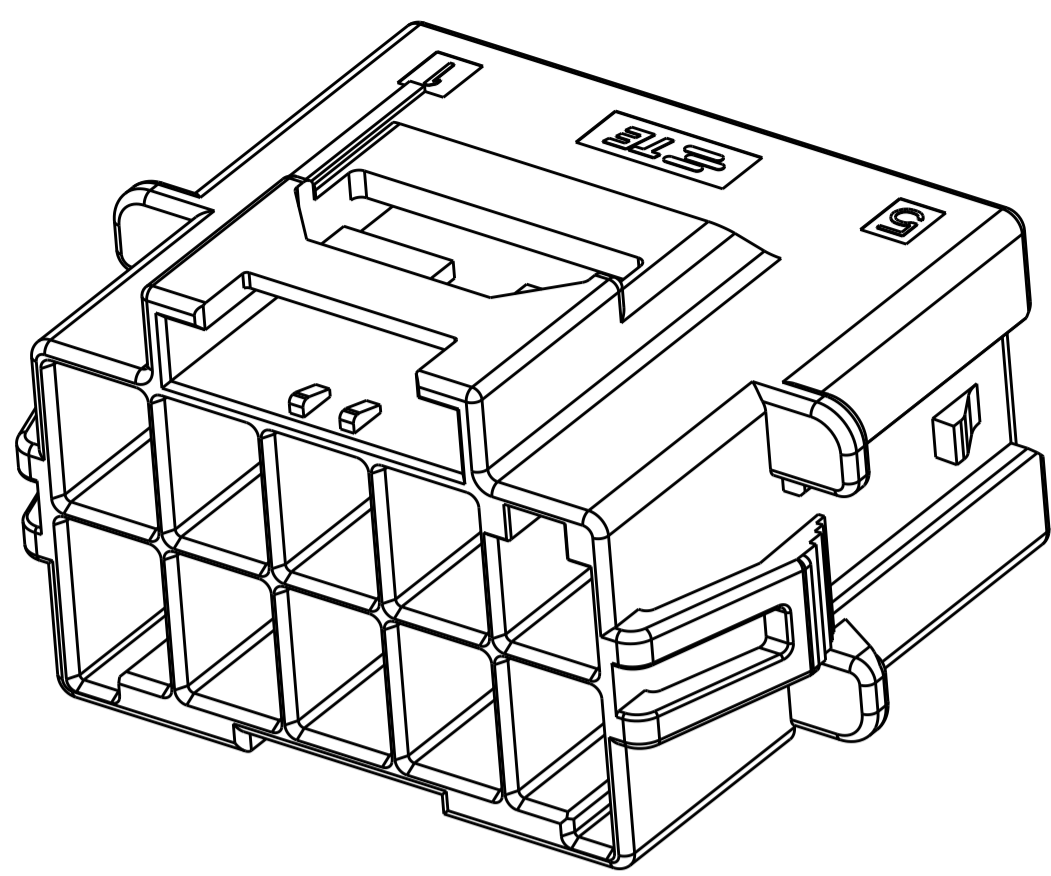
△ GLOW WIRE COMPLIANT IN ACCORDANCE WITH IEC 60335-1. THIS IS BASED ON THE PRODUCT MEETING A GWPT 850°C TEST AND RESIN GWIT GREATER THAN OR EQUAL TO 775°C.

7. THIS PRODUCT HAS NOT COMPLETED VALIDATION TESTING

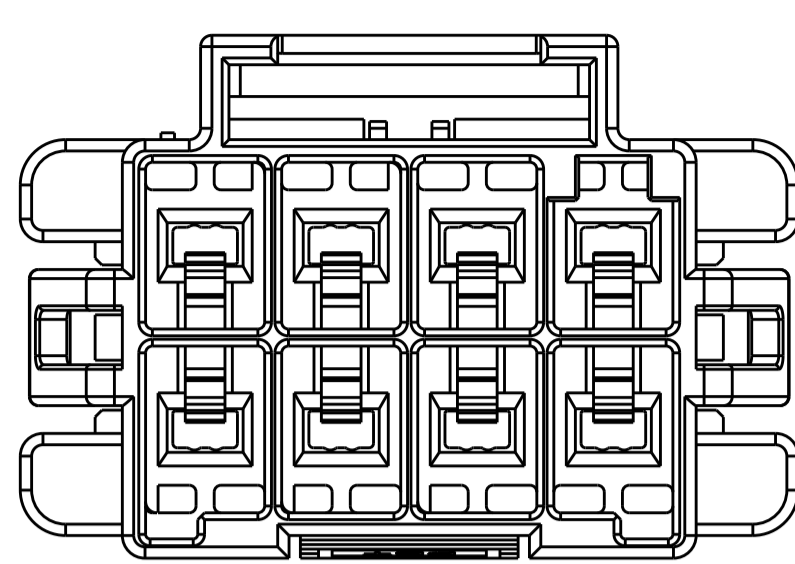
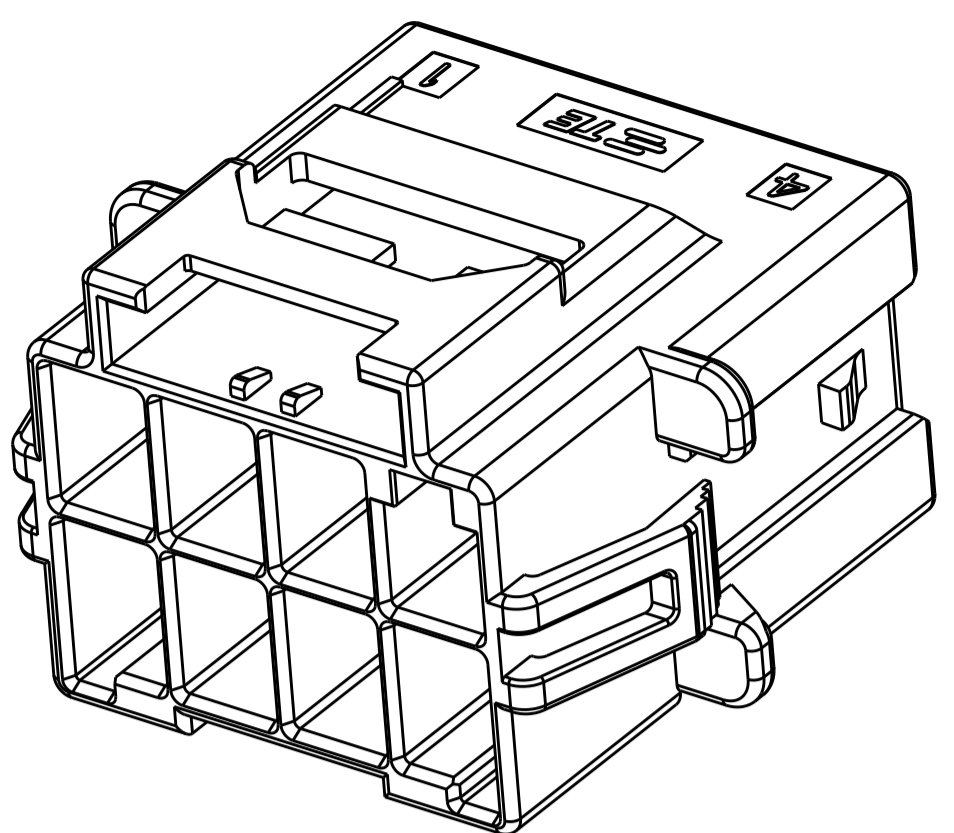
| POS | A | B | C | D | E |
|-----|-------|------|-------|-------|-------|
| 2*6 | 39.70 | 45.5 | 37.30 | 42.70 | 37.80 |
| 2*5 | 33.70 | 39.5 | 31.30 | 36.70 | 31.80 |
| 2*4 | 27.70 | 33.5 | 25.30 | 30.70 | 25.80 |
| 2*3 | 21.70 | 27.5 | 19.30 | | |

| | | | | |
|--|--------|-----------------------------|--|--|
| THIS DRAWING IS A CONTROLLED DOCUMENT. | | DWN: TOMMY WU 06JUL2012 | TE Connectivity | |
| DIMENSIONS: mm | | CHK: HAPYE WU 06JUL2012 | | |
| TOLERANCES UNLESS OTHERWISE SPECIFIED: | | APVD: YUZHONG MAO 06JUL2012 | NAME: CAP HOUSING, PANEL MOUNT, DOUBLE ROW POWER TRIPLE LOCK | |
| 0 PLC | ± | PRODUCT SPEC | SIZE: CAGE CODE DRAWING NO | |
| 1 PLC | ±0.35 | 108-106118 | RESTRICTED TO | |
| 2 PLC | ±0.25 | APPLICATION SPEC | A100779C=1971775 | |
| 3 PLC | ± | 114-106118 | SCALE: 4:1 SHEET 1 OF 2 REV D1 | |
| 4 PLC | ± | WEIGHT | | |
| ANGLES | ± | Customer Drawing | | |
| MATERIAL | FINISH | | | |

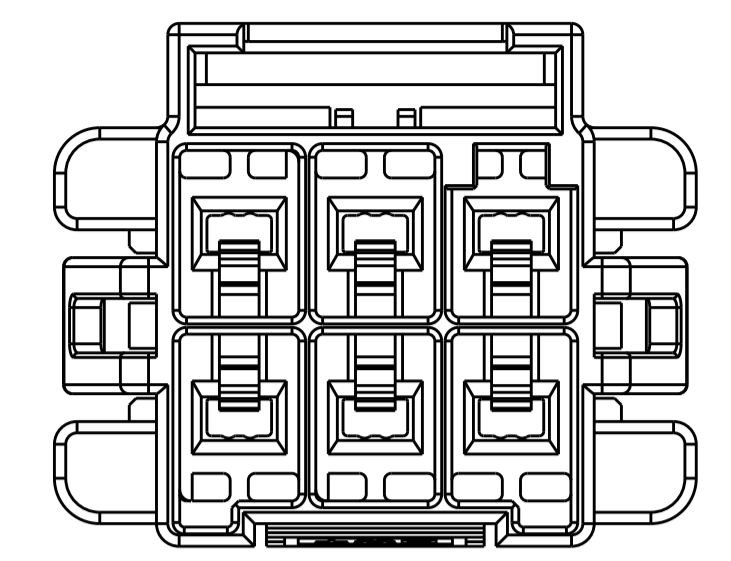
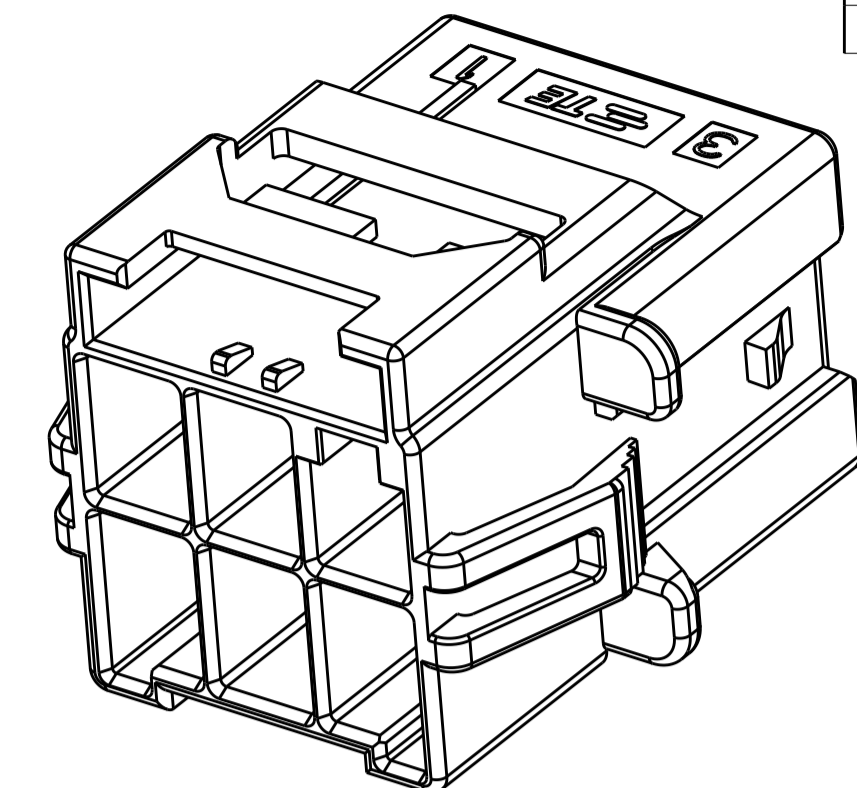
| LOC | DIST | REVISIONS | | | |
|-----|------|-------------|------|-----|------|
| P | LTN | DESCRIPTION | DATE | OWN | APVD |
| - | - | SEE SHEET 1 | - | - | - |



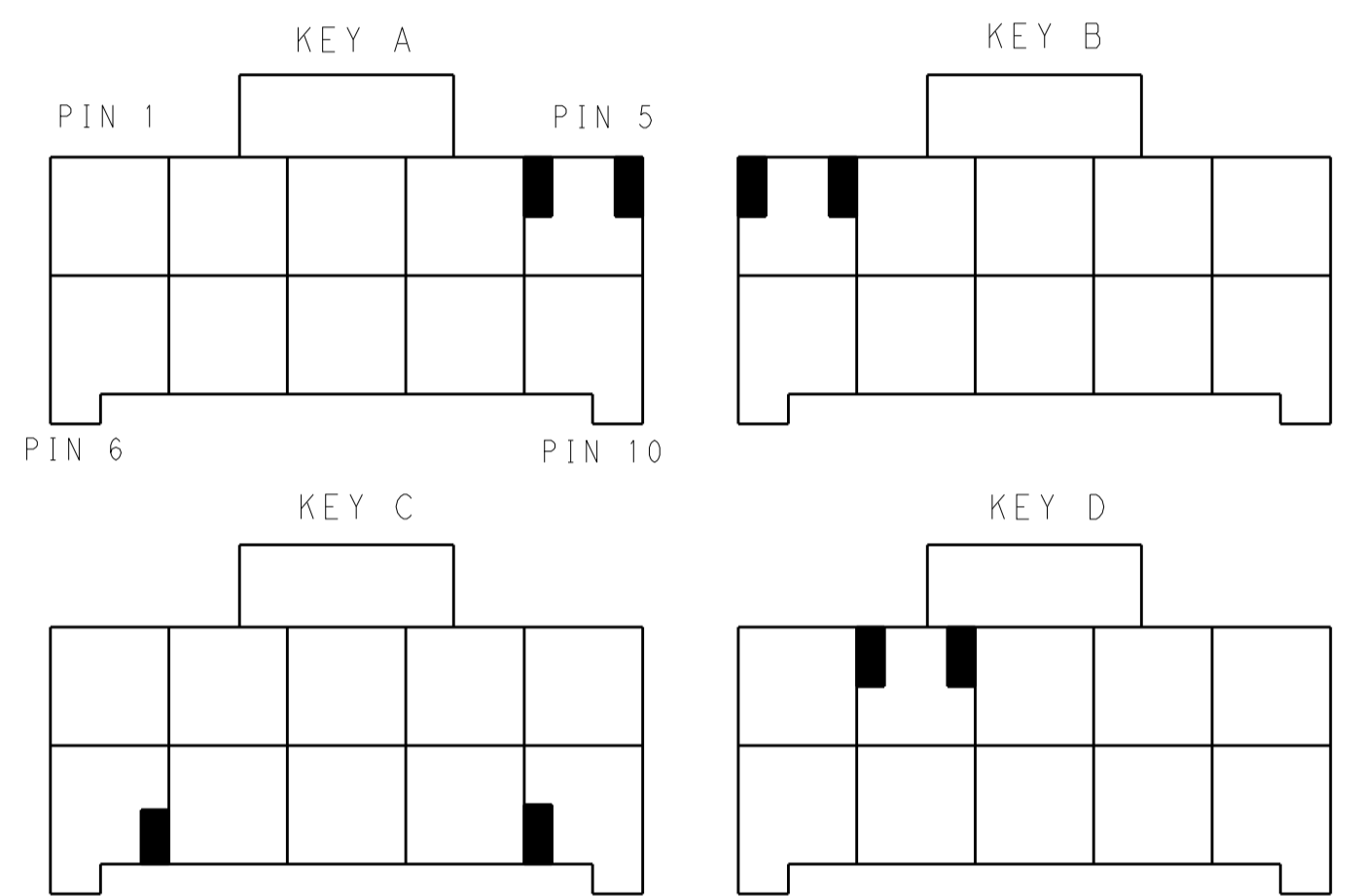
2*5 POSITIONS



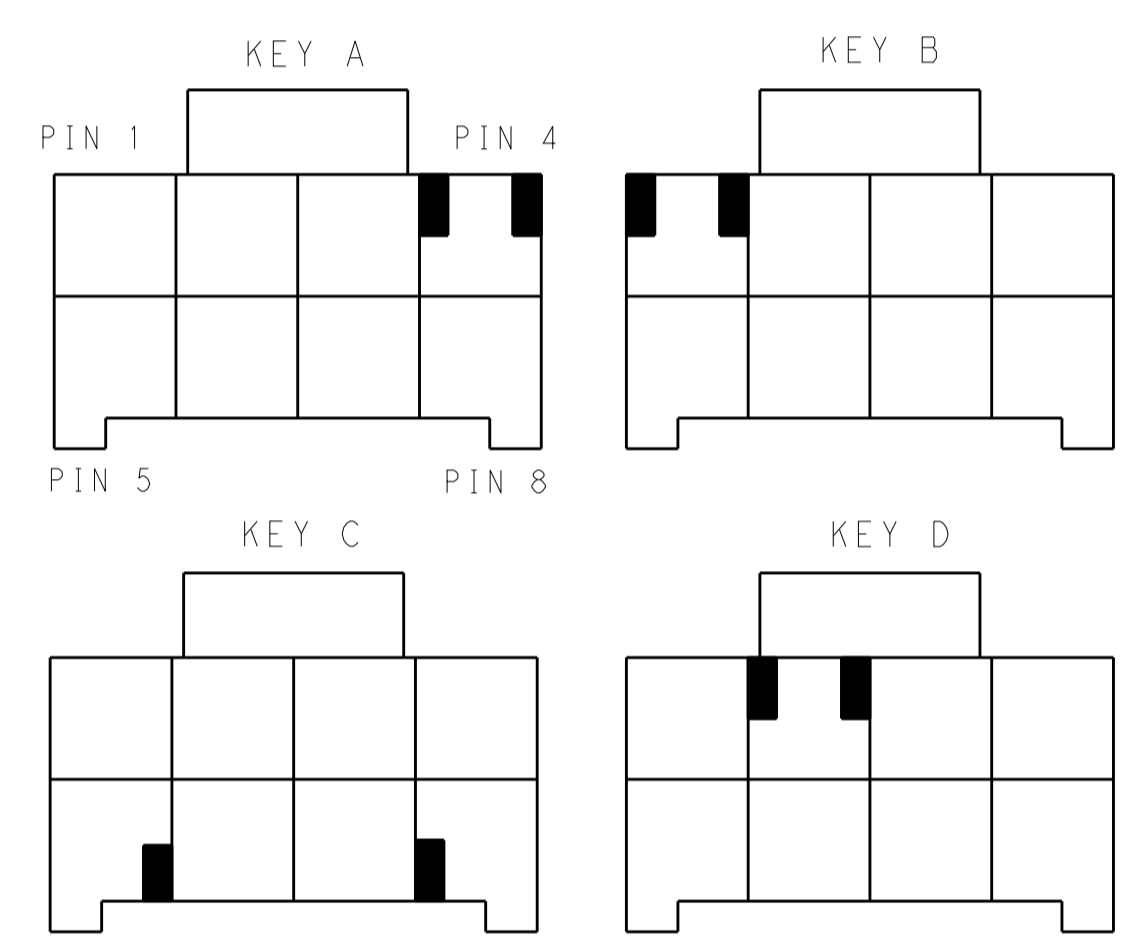
2*4 POSITIONS



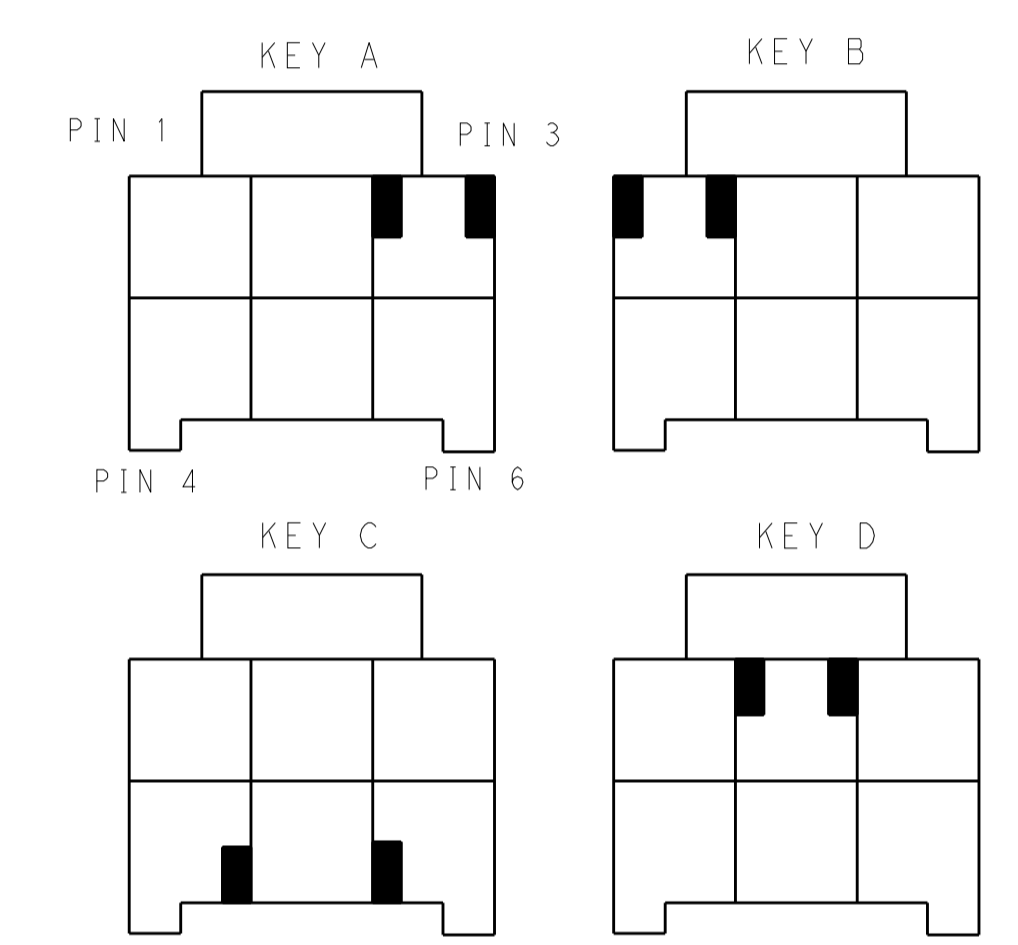
2*3 POSITIONS



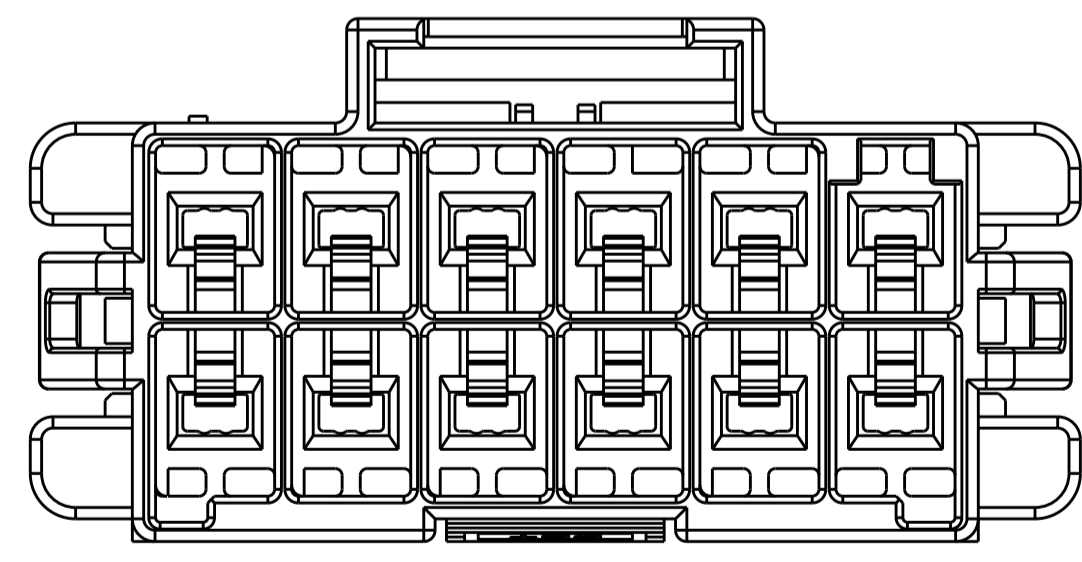
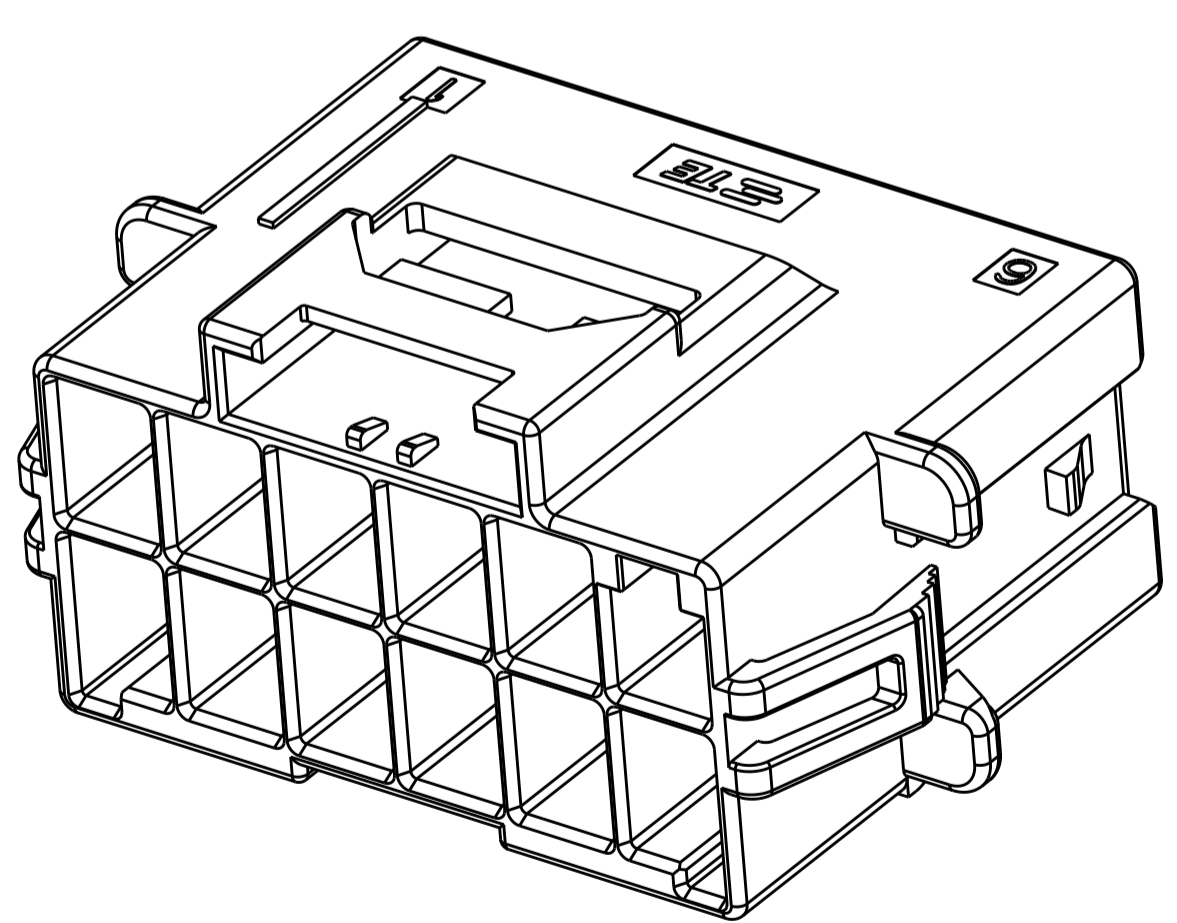
KEYING FOR 2*5 POS.



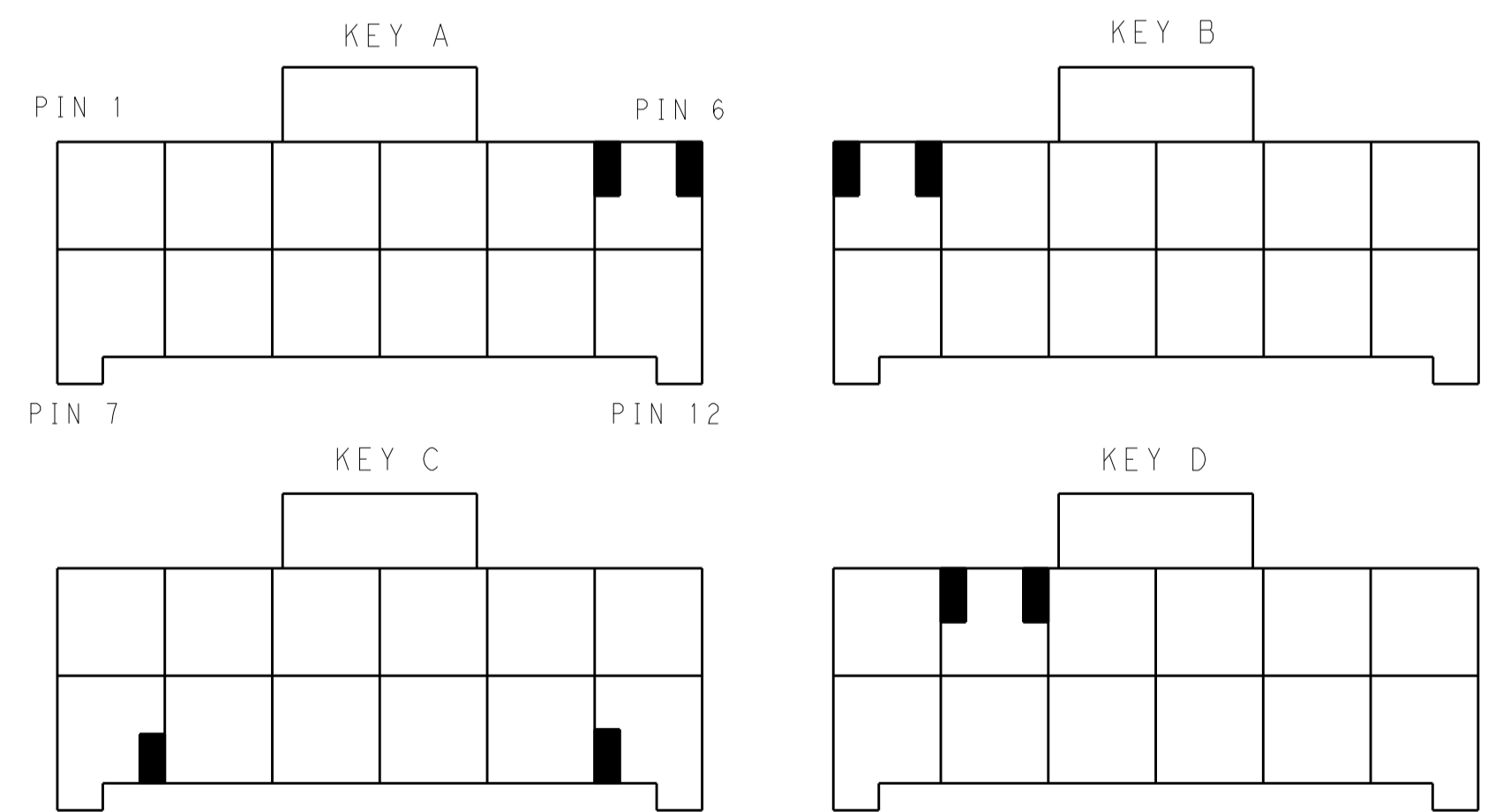
KEYING FOR 2*4 POS.



KEYING FOR 2*3 POS.



2*6 POSITIONS



KEYING FOR 2*6 POS.

| POS. | MATERIAL | KEY | P/N |
|---------|----------|-------|-------------|
| 2*6 | LEVEL 1 | KEY A | 1-1971775-6 |
| | | KEY B | 2-1971775-6 |
| | | KEY C | 3-1971775-6 |
| | | KEY D | 4-1971775-6 |
| LEVEL 2 | KEY A | KEY B | 6-1971775-6 |
| | | KEY C | 7-1971775-6 |
| | | KEY D | 8-1971775-6 |
| | | KEY A | 5-1971775-6 |
| 2*5 | LEVEL 1 | KEY B | 2-1971775-5 |
| | | KEY C | 3-1971775-5 |
| | | KEY D | 4-1971775-5 |
| | | KEY A | 5-1971775-5 |
| LEVEL 2 | KEY B | KEY C | 6-1971775-5 |
| | | KEY D | 7-1971775-5 |
| | | KEY A | 8-1971775-5 |
| | | KEY B | 6-1971775-5 |

| POS. | MATERIAL | KEY | P/N |
|---------|----------|-------|-------------|
| 2*4 | LEVEL 1 | KEY A | 1-1971775-4 |
| | | KEY B | 2-1971775-4 |
| | | KEY C | 3-1971775-4 |
| | | KEY D | 4-1971775-4 |
| LEVEL 2 | KEY A | KEY B | 6-1971775-4 |
| | | KEY C | 7-1971775-4 |
| | | KEY D | 8-1971775-4 |
| | | KEY A | 5-1971775-4 |
| 2*3 | LEVEL 1 | KEY B | 2-1971775-3 |
| | | KEY C | 3-1971775-3 |
| | | KEY D | 4-1971775-3 |
| | | KEY A | 5-1971775-3 |
| LEVEL 2 | KEY B | KEY C | 6-1971775-3 |
| | | KEY D | 7-1971775-3 |
| | | KEY A | 8-1971775-3 |
| | | KEY B | 6-1971775-3 |

THIS DRAWING IS A CONTROLLED DOCUMENT.

OWN: TOMMY WU 06JUL2012
 CHG: TOMMY WU 06JUL2012
 HAPYE WU 06JUL2012
 APVD: YUZHONG MAO 06JUL2012

STE TE Connectivity

NAME: CAP HOUSING, PANEL MOUNT, DOUBLE ROW POWER TRIPLE LOCK

SIZE: A1 CAGE CODE: 00779 DRAWING NO: 1971775

SCALE: SHEET 2 OF 2 REV D1

Customer Drawing

X-ON Electronics

Largest Supplier of Electrical and Electronic Components

Click to view similar products for [TE Connectivity](#) manufacturer:

Other Similar products are found below :

[D38999/24FJ4AN](#) [570416-000](#) [CLTEQ-M81CE-SSRELAY-4-20V](#) [4-1195131-0](#) [650069-000](#) [SMD100-2](#) [358838-000](#) [CB-1022B-78](#)
[RM707012](#) [RP410012](#) [MMS42](#) [1-640426-8](#) [2EDL4CM](#) [DTS20W19-11PD-3028-LC](#) [RM202615](#) [NC6-P104-06](#) [MSPS103B](#) [DTS26F21-41HE-LC](#) [DTS26F21-41AE](#) [DTS26F21-41PE-LC](#) [DTS26F21-11SE-3028-LC](#) [30DCB6](#) [1932144-1](#) [293545-4](#) [LVR125S](#) [MS27466T25F4PB](#)
[CKB-38-78010](#) [TR04AI-TINELLOCKRING](#) [1206SFF150F/63-2](#) [D38999/20JB35HA](#) [TE1500A2R2J](#) [D38999/20WC8BB](#) [DTS24F19-11SC-3028-LC](#) [D38999/24WG11HA](#) [D38999/24WG11HN](#) [MS27467T21F11H](#) [DJT16E21-11HA](#) [MS27467T21F35J](#) [MS27467T21F11J](#)
[MS27467T21F16H-LC](#) [MS27467T21F35H](#) [MS27467T21F41H-LC](#) [1206SFH150F/24-2](#) [RP330024](#) [DJT16E21-11PA-LC](#) [DJT16E21-11HA-LC](#) [DJT16E21-11AA](#) [MS27467T21B11JA](#) [DJT16E21-11JA](#) [MS27467T21B11JA-LC](#)