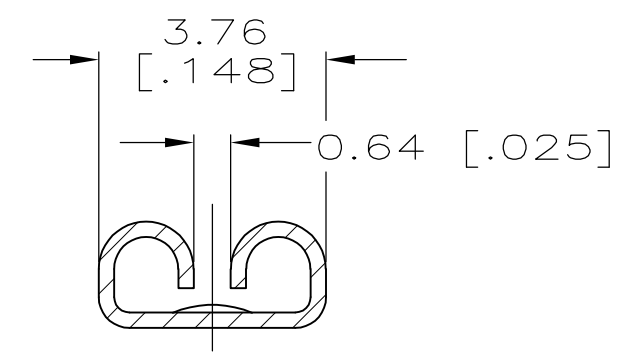
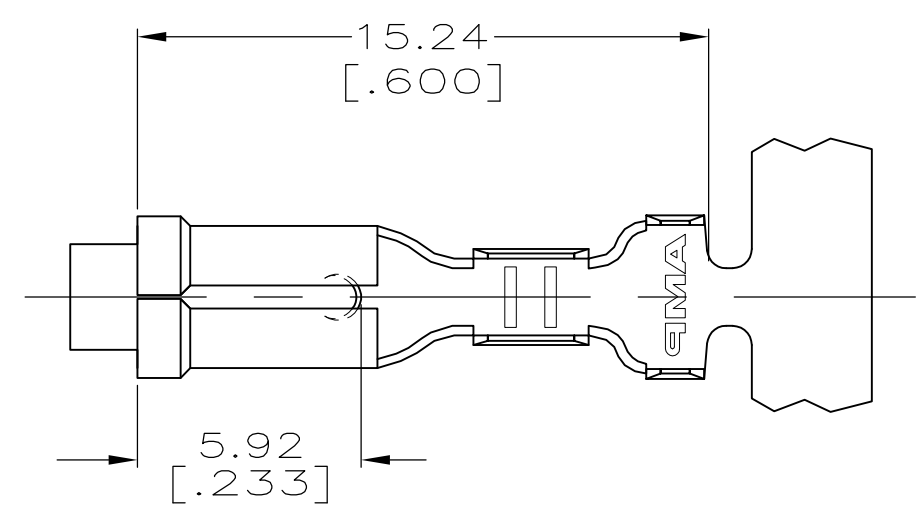


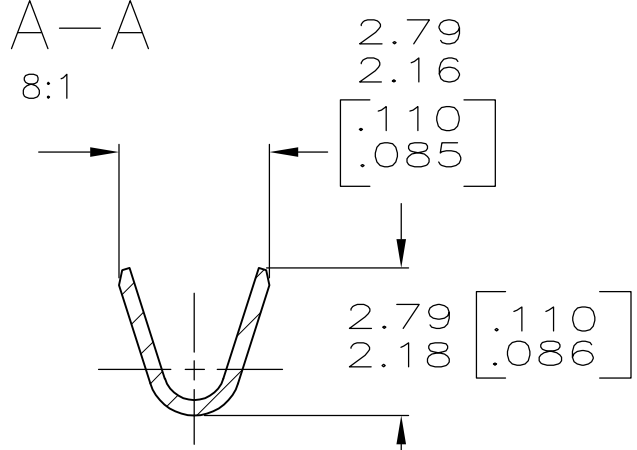
THIS DRAWING IS UNPUBLISHED. RELEASED FOR PUBLICATION
 © COPYRIGHT - By - ALL RIGHTS RESERVED.

LOC	DIST	REVISIONS			
P	LTR	DESCRIPTION	DATE	DWN	APVD
AF	50	G2	REVISED PER ECR-14-004075	24MAR2014	NK RL

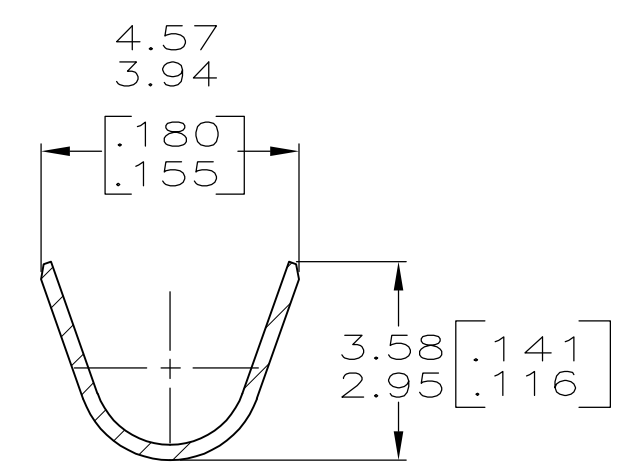
- 1 CONTINUOUS STRIP ON REELS.
- △ FINISH LEAD-FREE, MATTE TIN OVER NICKEL



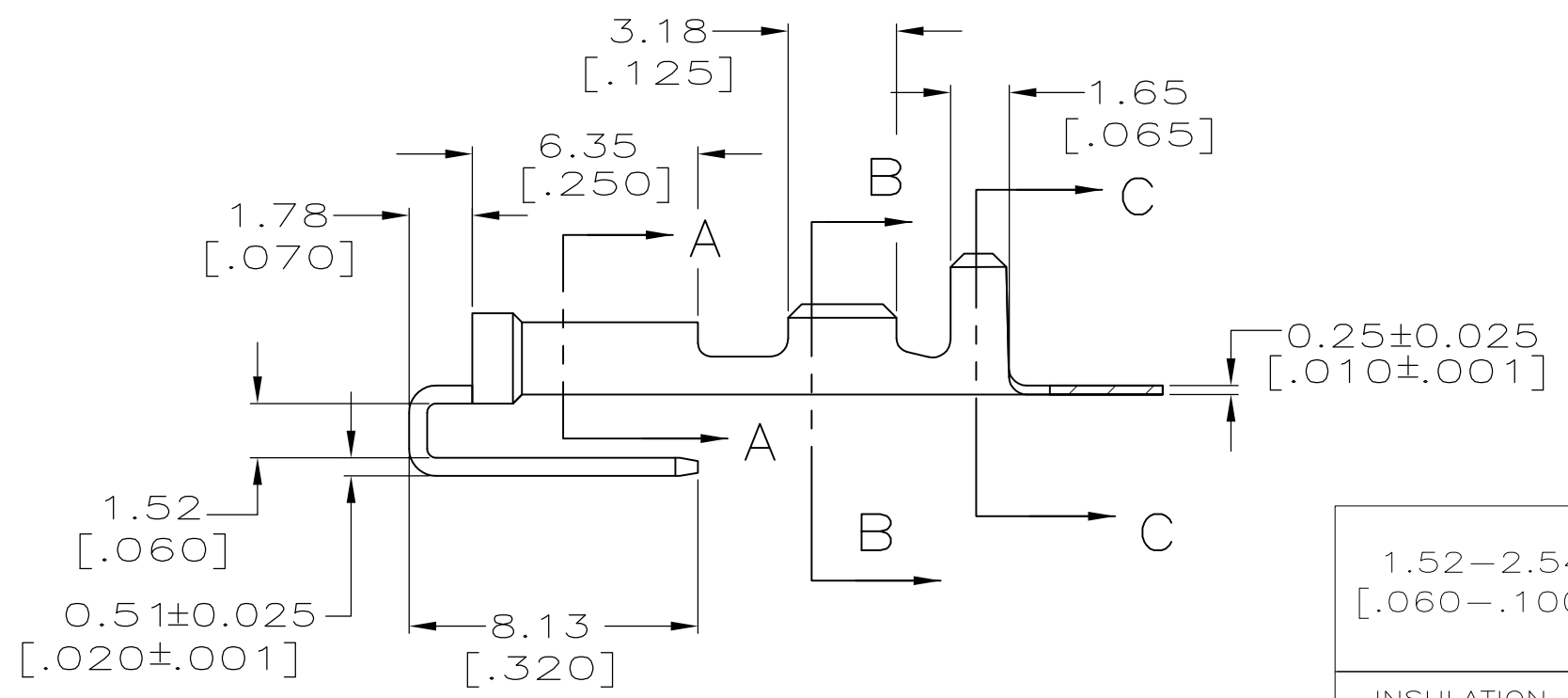
SECTION A-A
SCALE 8:1



SECTION B-B
SCALE 8:1



SECTION C-C
SCALE 8:1



1.52-2.54 DIA [.060-.100] DIA	[#22-#18] AWG	0.508±0.025 [.020±.001]	△ 2 TIN	62003-4
			-	62003-2
				62003-1
INSULATION RANGE	WIRE SIZE	MATING TAB THICKNESS	FINISH	PART NO

THIS DRAWING IS A CONTROLLED DOCUMENT.		DWN JR RUTH 5/16/95	TE Connectivity		
DIMENSIONS: mm [INCHES]		CHK MS FEHER 5/16/95			
TOLERANCES UNLESS OTHERWISE SPECIFIED:		APVD P DESANTIS 5/16/95	NAME RECEPTACLE, FASTON, PIGGYBACK, 2.79 [.110] SERIES		
0 PLC ± - 1 PLC ± - 2 PLC ± 0.38 [.015] 3 PLC ± - 4 PLC ± - ANGLES ± -		PRODUCT SPEC -	RESTRICTED TO -		
MATERIAL BRASS		FINISH SEE TABLE	APPLICATION SPEC -	SIZE A3	CAGE CODE 00779
CUSTOMER DRAWING			DRAWING NO C-62003	SCALE 5:1	SHEET 1 OF 1
			WEIGHT -	REV G2	

X-ON Electronics

Largest Supplier of Electrical and Electronic Components

Click to view similar products for [Terminals](#) category:

Click to view products by [TE Connectivity](#) manufacturer:

Other Similar products are found below :

[00-054007-01074-6](#) [00-054007-70206-1](#) [00-054007-70210-8](#) [00-054007-70217-7](#) [00-054007-70226-9](#) [00-054007-70228-3](#) [00-054007-70248-1](#) [00-054007-70256-6](#) [00-054007-70301-3](#) [00-054007-70316-7](#) [00-054007-49560-4](#) [00-054007-70209-2](#) [00-054007-70225-2](#) [00-054007-70227-6](#) [00-054007-70231-3](#) [00-054007-70241-2](#) [00-054007-70242-9](#) [00-054007-70244-3](#) [00-054007-70246-7](#) [00-054007-70263-4](#) [00-054007-70288-7](#) [00-054007-70290-0](#) [00-054007-70300-6](#) [00-054007-70304-4](#) [01-2065-1-0216](#) [01-2900-1-04412](#) [00581P0075](#) [600TS-10](#) [60205-1](#) [604200-1](#) [605601-1](#) [60598-1-CUT-TAPE](#) [61314-6-C](#) [61810-3](#) [61-S](#) [61-SN](#) [626-0194](#) [62-NBM-A](#) [62-SN](#) [62-SP](#) [63-S](#) [640179-1](#) [M55155/059I03](#) [M55155/079C01](#) [M55155/099H02](#) [M55155/109H01](#) [M55155/109H02](#) [M55155/12XH05](#) [M55155/16XH02](#) [M55155/29-5S](#)