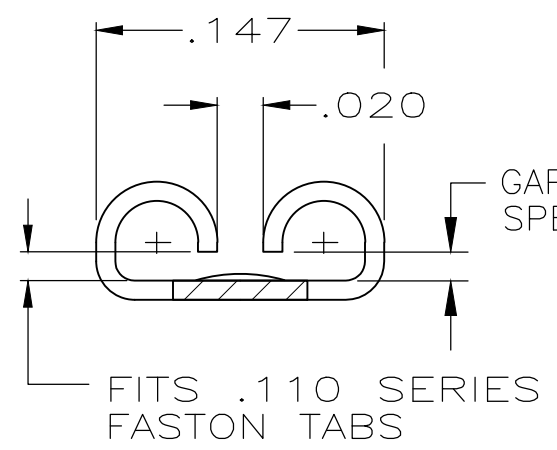
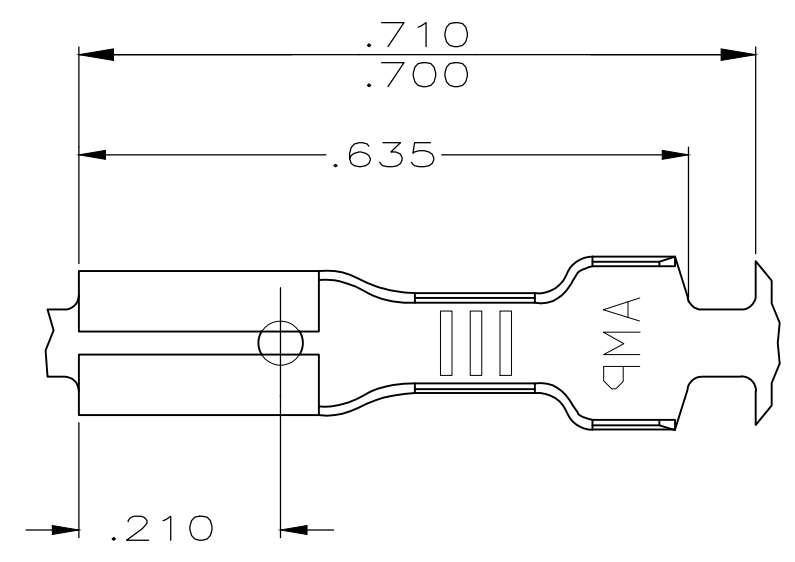


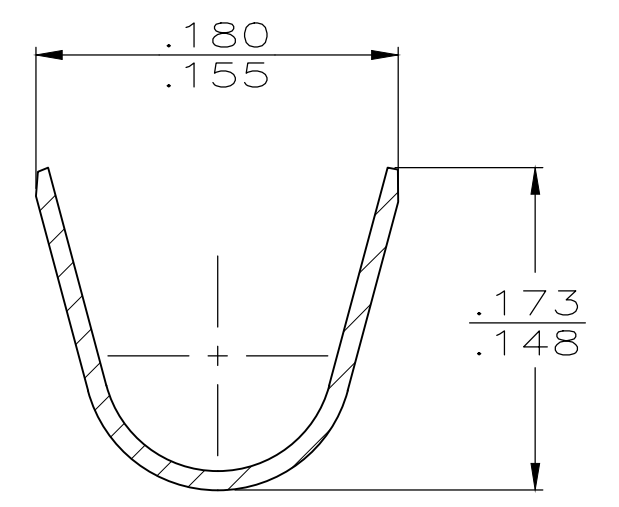
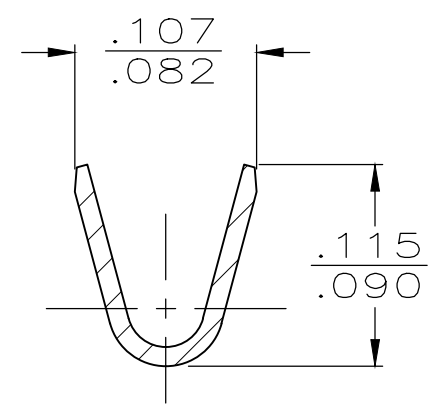
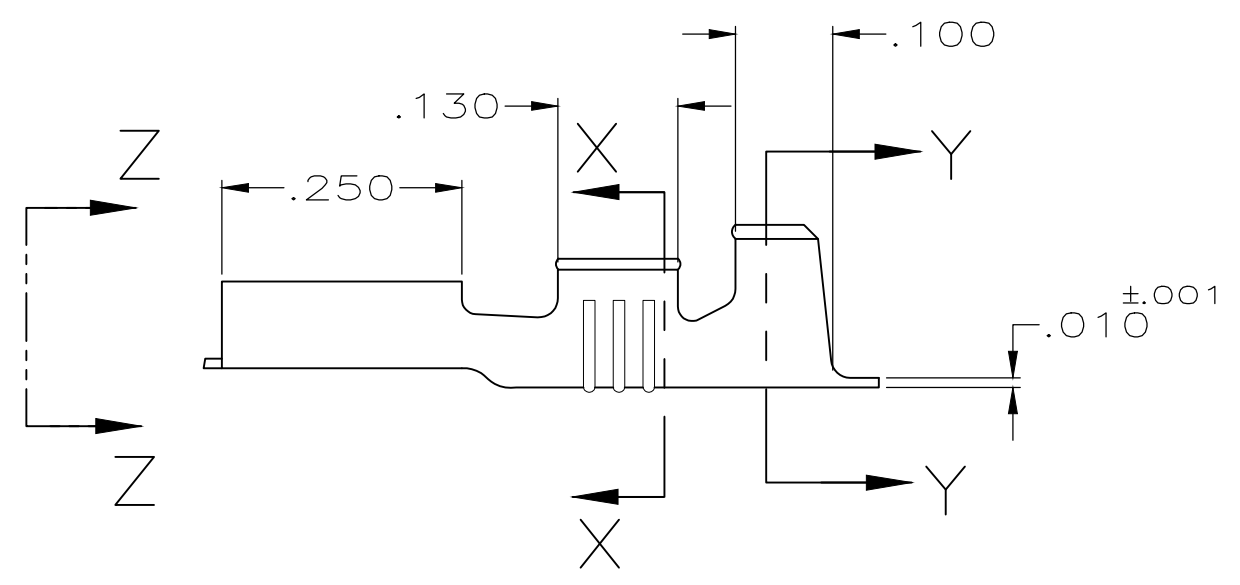
THIS DRAWING IS UNPUBLISHED. RELEASED FOR PUBLICATION
 © COPYRIGHT - By - ALL RIGHTS RESERVED.

LOC	DIST	REVISIONS					
AF	50	P	LTR	DESCRIPTION	DATE	DWN	APVD
			H2	REVISED PER ECR-20-009164	28JUL2020	MK	DH



GAP AS REQUIRED TO MEET FORCE SPECIFICATIONS AND .018 MAX

- 1 CONTINUOUS STRIP ON REELS
- 2 FINISH LEAD-FREE, MATTE TIN OVER NICKEL



.090-.130	22-18 AWG	.021-.019	2	62094-3
			-	62094-2
			PRE-TIN	62094-1
INSUL RANGE	WIRE SIZE	MATING TAB THK	FINISH	PART NO.

THIS DRAWING IS A CONTROLLED DOCUMENT.		DWN	JR RUTH	12/20/90	TE Connectivity RECEPTACLE, FASTON, .110 SERIES					
DIMENSIONS: INCHES		CHK	MS FEHER	12/20/90				NAME		
TOLERANCES UNLESS OTHERWISE SPECIFIED:		APVD	C MEYERS	12/21/90				SIZE		
0 PLC ± - 1 PLC ± - 2 PLC ± - 3 PLC ± .015 4 PLC ± - ANGLES ± -		PRODUCT SPEC		CAGE CODE						
MATERIAL: BRASS		FINISH: SEE TABLE		APPLICATION SPEC		DRAWING NO: C-62094				
		WEIGHT: -		CUSTOMER DRAWING		RESTRICTED TO: -				
				SCALE: 5:1		SHEET: 1 OF 1				
						REV: H2				

X-ON Electronics

Largest Supplier of Electrical and Electronic Components

Click to view similar products for [Terminals](#) category:

Click to view products by [TE Connectivity](#) manufacturer:

Other Similar products are found below :

[00-054007-01074-6](#) [00-054007-70206-1](#) [00-054007-70210-8](#) [00-054007-70217-7](#) [00-054007-70226-9](#) [00-054007-70228-3](#) [00-054007-70248-1](#) [00-054007-70256-6](#) [00-054007-70301-3](#) [00-054007-70316-7](#) [0-0320562-0](#) [00-054007-49560-4](#) [00-054007-70209-2](#) [00-054007-70225-2](#) [00-054007-70227-6](#) [00-054007-70231-3](#) [00-054007-70241-2](#) [00-054007-70242-9](#) [00-054007-70244-3](#) [00-054007-70246-7](#) [00-054007-70263-4](#) [00-054007-70288-7](#) [00-054007-70290-0](#) [00-054007-70300-6](#) [00-054007-70304-4](#) [01-2065-1-0216](#) [01-2900-1-04412](#) [00581P0075](#) [600TS-10](#) [60205-1](#) [604200-1](#) [605601-1](#) [60598-1-CUT-TAPE](#) [61314-6-C](#) [61810-3](#) [61-S](#) [61-SN](#) [626-0194](#) [62-NBM-A](#) [62-SN](#) [62-SP](#) [63-S](#) [640179-1](#) [M55155/059I03](#) [M55155/079C01](#) [M55155/099H02](#) [M55155/109H01](#) [M55155/109H02](#) [M55155/12XH05](#) [M55155/16XH02](#)