

THIS DRAWING IS UNPUBLISHED.

RELEASED FOR PUBLICATION

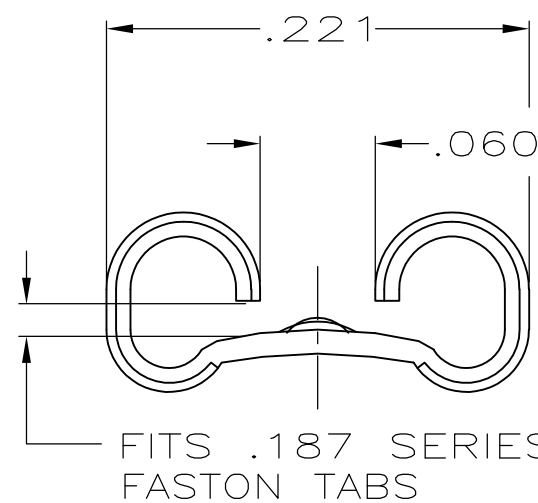
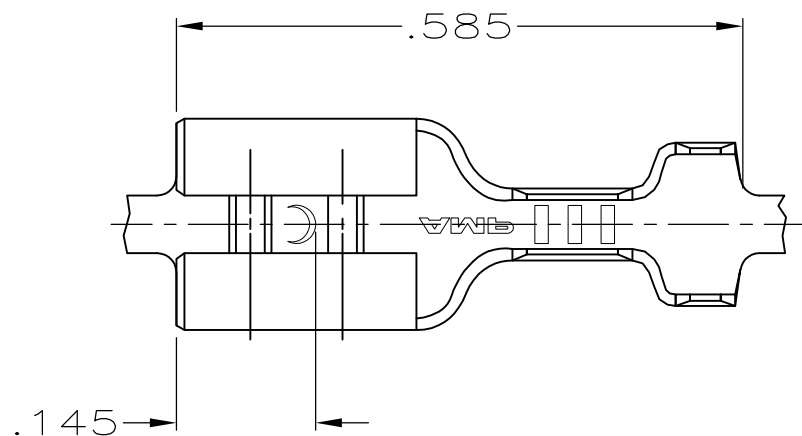
ALL RIGHTS RESERVED.

© COPYRIGHT - By -

LOC AF DIST 50

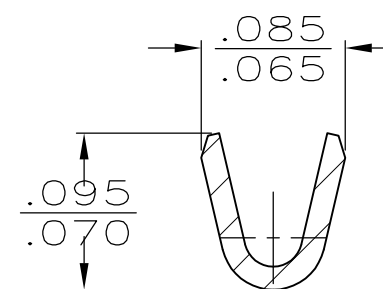
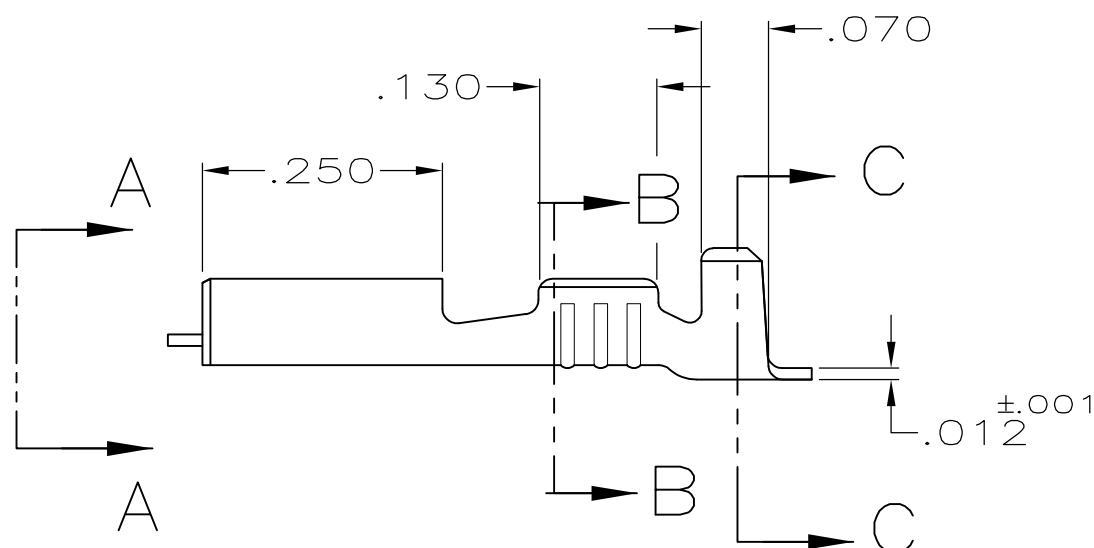
REVISIONS

P	LTR	DESCRIPTION	DATE	DWN	APVD
G1		REVISED PER ECR-14-004075	24MAR2014	NK	RL

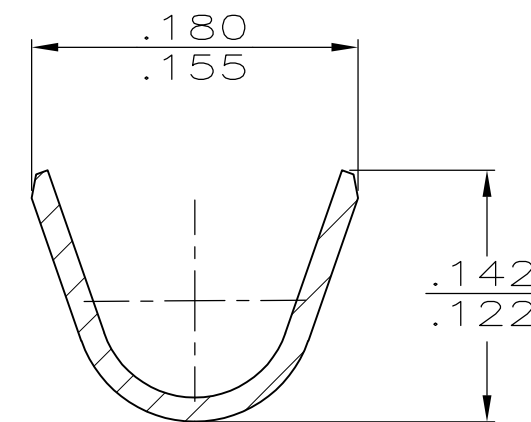


VIEW A-A
SCALE 8:1

- 1 CONTINUOUS STRIP ON REELS.
- 2 FINISH LEAD-FREE, MATTE TIN OVER NICKEL



SECTION B-B
SCALE 10:1



SECTION C-C
SCALE 10:1

.060-.110 DIA	#24-20 AWG	.020	2	62138-4
			-	62138-2
			TIN	62138-1
INSULATION RANGE	WIRE SIZE	MATING TAB THK ± .001	FINISH	PART NO.

THIS DRAWING IS A CONTROLLED DOCUMENT.		DWN JR RUTH 8/15/91	STE TE Connectivity		
DIMENSIONS: INCHES		CHK MS FEHER 8/15/91			
TOLERANCES UNLESS OTHERWISE SPECIFIED:		APVD C MEYERS 8/15/91	NAME RECEPTACLE, FASTON, .187 SERIES		
0 PLC ± -		PRODUCT SPEC -	SIZE A3	CAGE CODE 00779	DRAWING NO C-62138
1 PLC ± -		APPLICATION SPEC -	RESTRICTED TO -		
2 PLC ± -		WEIGHT -	SCALE 5:1 SHEET 1 OF 1 REV G1		
3 PLC ± .015		CUSTOMER DRAWING			
4 PLC ± -					
ANGLES ± -					
MATERIAL BRASS		FINISH SEE TABLE			

X-ON Electronics

Largest Supplier of Electrical and Electronic Components

Click to view similar products for [Terminals](#) category:

Click to view products by [TE Connectivity](#) manufacturer:

Other Similar products are found below :

[00-054007-01074-6](#) [00-054007-70206-1](#) [00-054007-70210-8](#) [00-054007-70217-7](#) [00-054007-70226-9](#) [00-054007-70228-3](#) [00-054007-70248-1](#) [00-054007-70256-6](#) [00-054007-70301-3](#) [00-054007-70316-7](#) [0-0320562-0](#) [00-054007-49560-4](#) [00-054007-70209-2](#) [00-054007-70225-2](#) [00-054007-70227-6](#) [00-054007-70231-3](#) [00-054007-70241-2](#) [00-054007-70242-9](#) [00-054007-70244-3](#) [00-054007-70246-7](#) [00-054007-70263-4](#) [00-054007-70288-7](#) [00-054007-70290-0](#) [00-054007-70300-6](#) [00-054007-70304-4](#) [01-2065-1-0216](#) [01-2900-1-04412](#) [00581P0075](#) [600TS-10](#) [60205-1](#) [604200-1](#) [605601-1](#) [60598-1-CUT-TAPE](#) [61314-6-C](#) [61810-3](#) [61-S](#) [61-SN](#) [626-0194](#) [62-NBM-A](#) [62-SN](#) [62-SP](#) [63-S](#) [640179-1](#) [M55155/059I03](#) [M55155/079C01](#) [M55155/099H02](#) [M55155/109H01](#) [M55155/109H02](#) [M55155/12XH05](#) [M55155/16XH02](#)