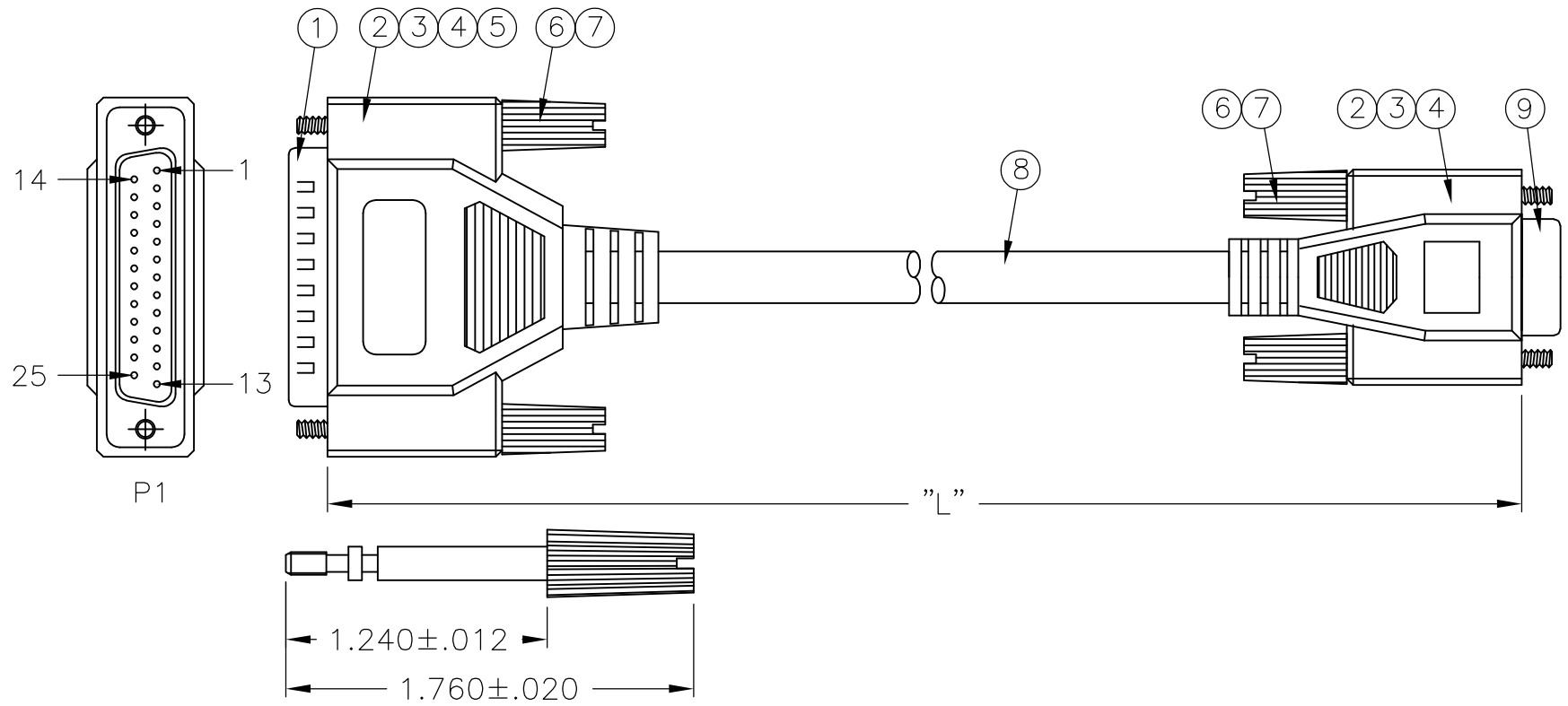


THIS DRAWING IS UNPUBLISHED. RELEASED FOR PUBLICATION  
 © COPYRIGHT - By - ALL RIGHTS RESERVED.

LOC	DIST	REVISIONS			
P	LTR	DESCRIPTION	DATE	DWN	APVD
CF	39	A	REVISION PER ECO-05-006188	29JUN05	TW RC
		A1	ECR-13-002093	17APR13	RK JK



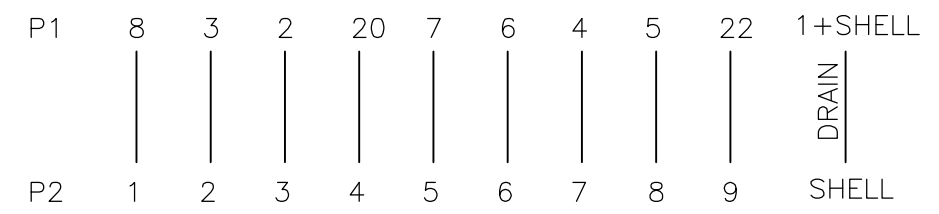
NOTES:

- PACKAGED IN PRINTED ZIPLOCK POLYBAG.
- LABEL ON POLYBAG TO READ AS FOLLOWS:  

621782-__	XX' = LENGTH PER TABLE
XX' AT MODEM CABLE	
- WRAP FOIL OVER PRE-MOLD 360° FROM CONNECTOR SHELL TO SHELL.
- IF USING ALUMINUM MYLAR FOIL, ALUMINUM MUST BE FACING INWARD.
- THIS PRODUCT IS PRODUCED IN COMPLIANCE WITH ANSI/ASQC Z1.4-1993, TO AN INSPECTION LEVEL III, WITH A NORMAL SAMPLING PLAN.
- TEST REQUIREMENT:  
 CONTINUITY RESISTANCE: SEE TABLE.  
 INSULATION RESISTANCE: 50 M ohm MIN.  
 HI-POT TEST: DC 300V/0.01 Sec MIN.
- PRODUCT AND PROCESSING MUST MEET REQUIREMENTS OF TE STANDARD 230-702.

	621792-3	180.0 <sup>+6.00</sup> / <sub>-2.00</sub>	15	3 OHM MAX
	621792-2	120.0 <sup>+6.00</sup> / <sub>-2.00</sub>	10	2 OHM MAX
OBSOLETE	621792-1	72.0 <sup>+6.00</sup> / <sub>-2.00</sub>	6	1 OHM MAX
	TE P/N	"L" LENGTH	LABEL XX'	CONTINUITY RESISTANCE

PIN ASSIGNMENT :



1	PC	DB9 FEMALE, CONTACT: GOLD FLASH, SHELL: NICKEL PLATED, INSULATION COLOR: BLACK.	9
AR	MR	UL2464 28AWG*9C+DRAIN+AL/MYLAR, COLOR: BEIGE(BG01).	8
4	PC	#4-40 THUMBSCREW.	7
AR	KG	MOLD PVC, 30P, COLOR: BEIGE(BG01).	6
AR	MR	UL1061 28AWG, COLOR: BLACK.	5
AR	MR	COPPER FOIL, W: 30.0MM, 360° SOLDERED.	4
AR	KG	INNER MOLD PE.	3
AR	KG	OVER MOLD PVC, 40P, COLOR: BEIGE(BG01).	2
1	PC	DB25 MALE, CONTACT: GOLD FLASH, SHELL: NICKEL PLATED, INSULATION COLOR: BLACK.	1
Q'TY	U/M	DESCRIPTION	ITEM

THIS DRAWING IS A CONTROLLED DOCUMENT.		DWN D.EISENTRAUT 11-20-96	<b>STE</b> TE Connectivity													
DIMENSIONS: INCHES		CHK R.CAPP 11-21-96														
TOLERANCES UNLESS OTHERWISE SPECIFIED:		APVD D.WILSON 11-21-96	NAME													
<table border="0"> <tr><td>0 PLC</td><td>± -</td></tr> <tr><td>1 PLC</td><td>± -</td></tr> <tr><td>2 PLC</td><td>± -</td></tr> <tr><td>3 PLC</td><td>± -</td></tr> <tr><td>4 PLC</td><td>± -</td></tr> <tr><td>ANGLES</td><td>± -</td></tr> </table>		0 PLC	± -	1 PLC	± -	2 PLC	± -	3 PLC	± -	4 PLC	± -	ANGLES	± -	PRODUCT SPEC	CABLE ASSY, DB25 MALE TO DB9 FEMALE, OVERMOLDED	
0 PLC	± -															
1 PLC	± -															
2 PLC	± -															
3 PLC	± -															
4 PLC	± -															
ANGLES	± -															
MATERIAL		APPLICATION SPEC														
FINISH		WEIGHT	SIZE	CAGE CODE	DRAWING NO	RESTRICTED TO										
-		-	A3	00779	C-621792	-										
CUSTOMER DRAWING			SCALE	SHEET	REV											
			N.T.S	1 OF 1	A1											

## X-ON Electronics

Largest Supplier of Electrical and Electronic Components

*Click to view similar products for [Specialised Cables category](#):*

*Click to view products by [TE Connectivity manufacturer](#):*

Other Similar products are found below :

[603PT6](#) [603SS6L](#) [604PT6](#) [604SS6](#) [706000D02F200](#) [910640](#) [1200740077](#) [1200740114](#) [AC172](#) [ACL-SSI-4](#) [R88ACAKA0015SRE](#)  
[R88ACAWL005SDE](#) [R88ACRGD0R3C](#) [1300150047](#) [1300660036](#) [1302262116](#) [1300150149](#) [1300220020](#) [1300220104](#) [1300220119](#)  
[1301240492](#) [1301810221](#) [1365323-1](#) [1613055](#) [176P12](#) [1971465-2](#) [20240400003](#) [20240400013](#) [2085828-1](#) [20886510030](#) [2-22733-8](#) [22733-](#)  
[8](#) [CB-704EC-RS](#) [CB-BATACC-RS](#) [CB-JST3PSW-RS](#) [CB-M12COM-R10](#) [25AC84](#) [25AK84X](#) [25AU25](#) [25FN82](#) [3011-03](#) [AC118](#) [ACL-](#)  
[HHS-1M\(CAT5E\)](#) [SSL009PC2DC012N](#) [FC2A-KC6C](#) [2085828-2](#) [20886510150](#) [CCS-FCB-5](#) [CCSFCBF2](#) [R88A-CRWB020N](#)