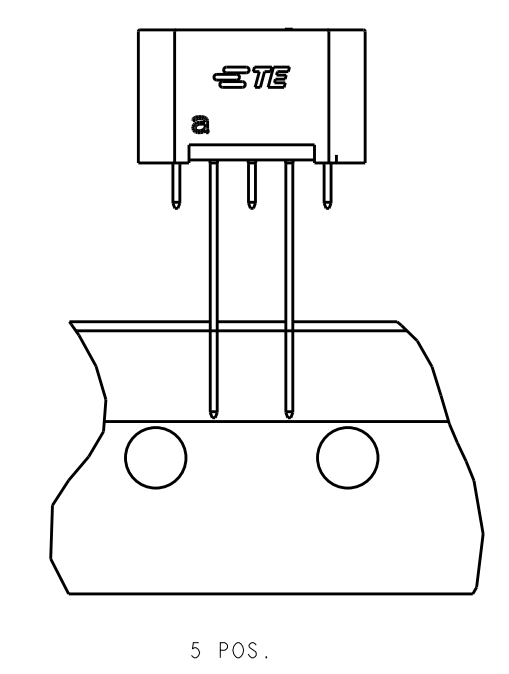
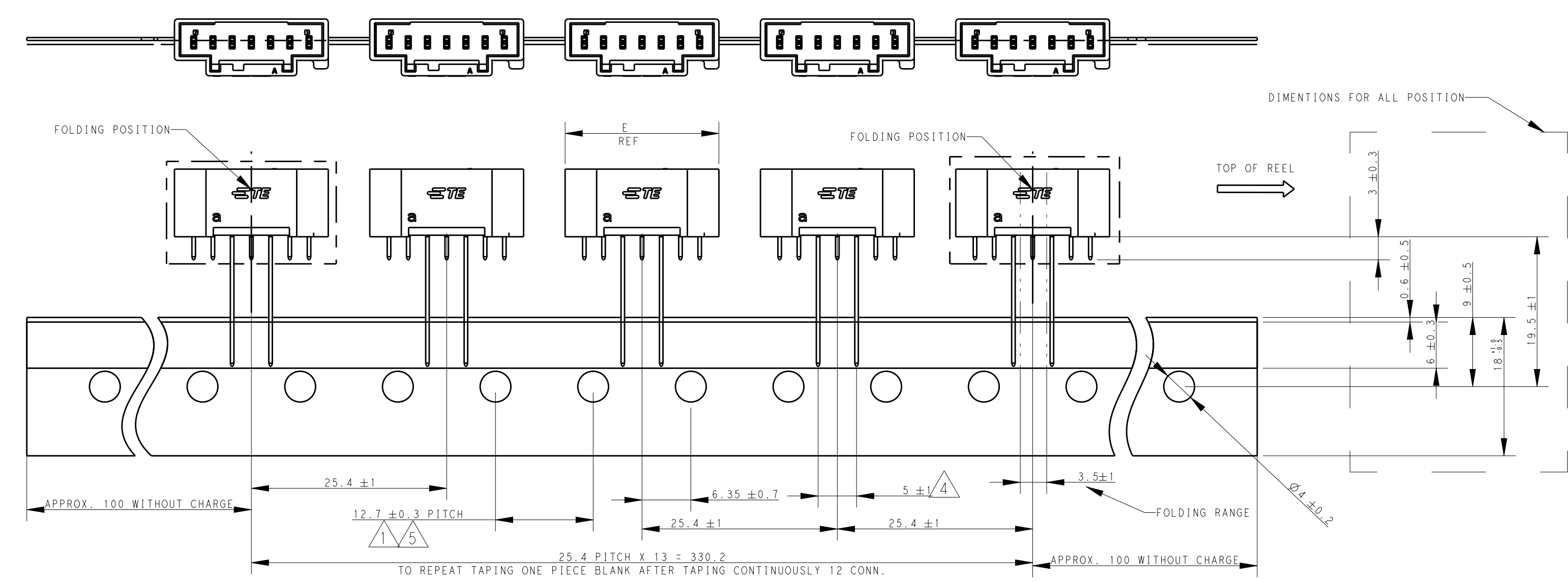
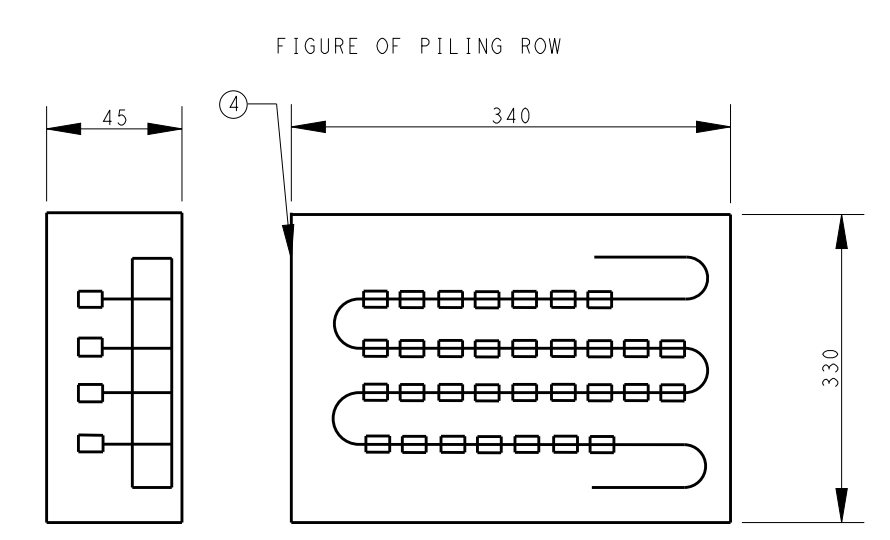


REVISIONS					
P.	LTM	DESCRIPTION	DATE	DMN	APVD
A1	ECR-16-017015		10DEC2016	A.O	D.2
A2	ECR-18-016738		23OCT2018	C.X	D.2

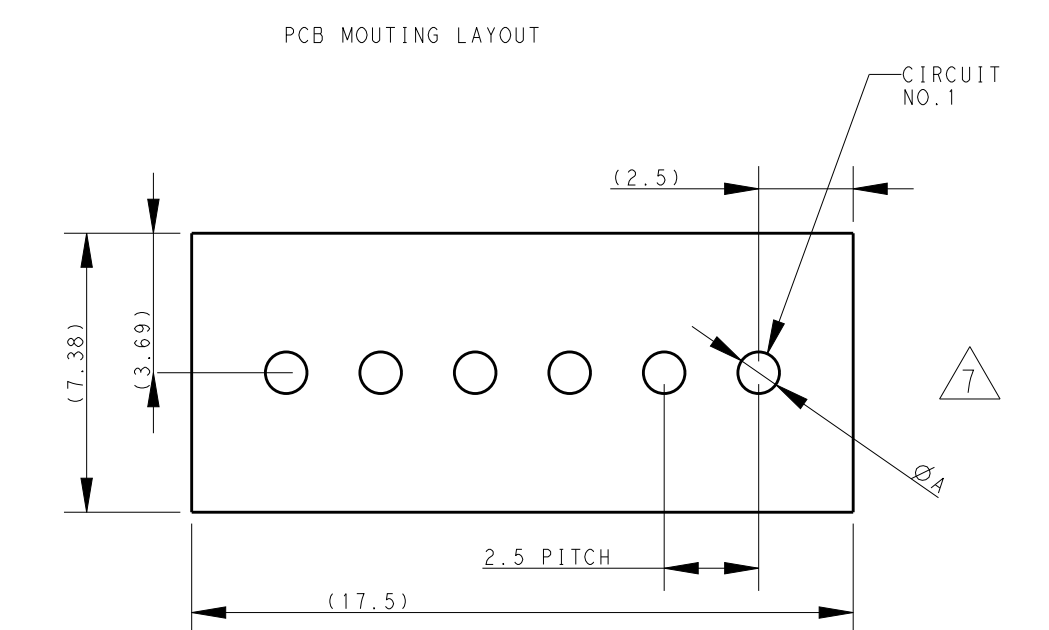
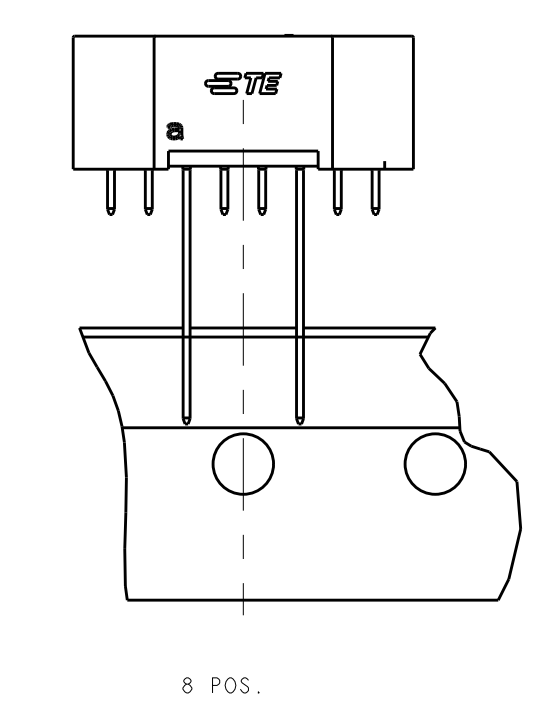
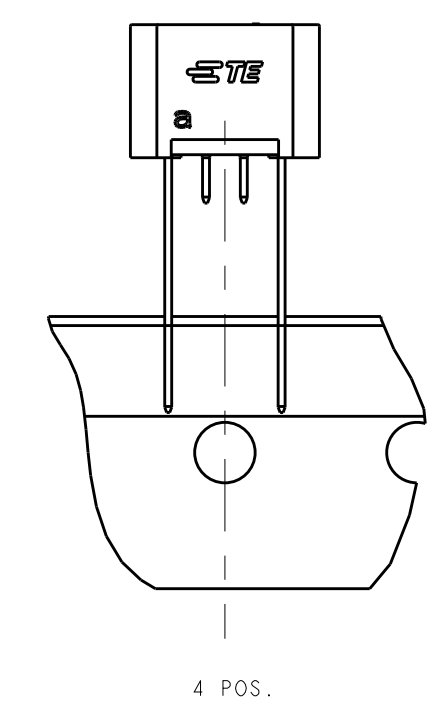
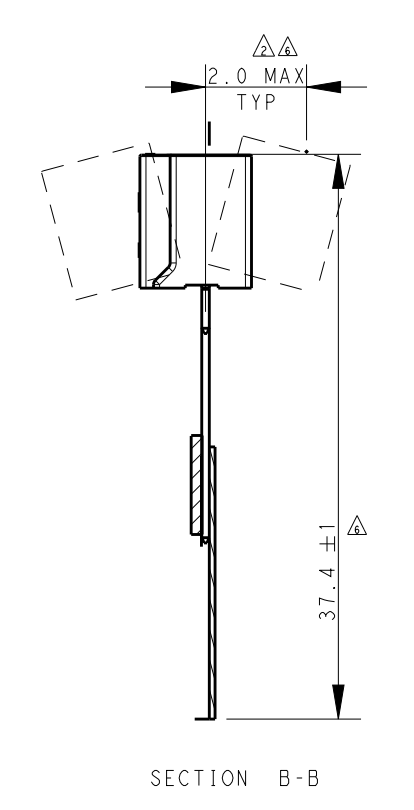
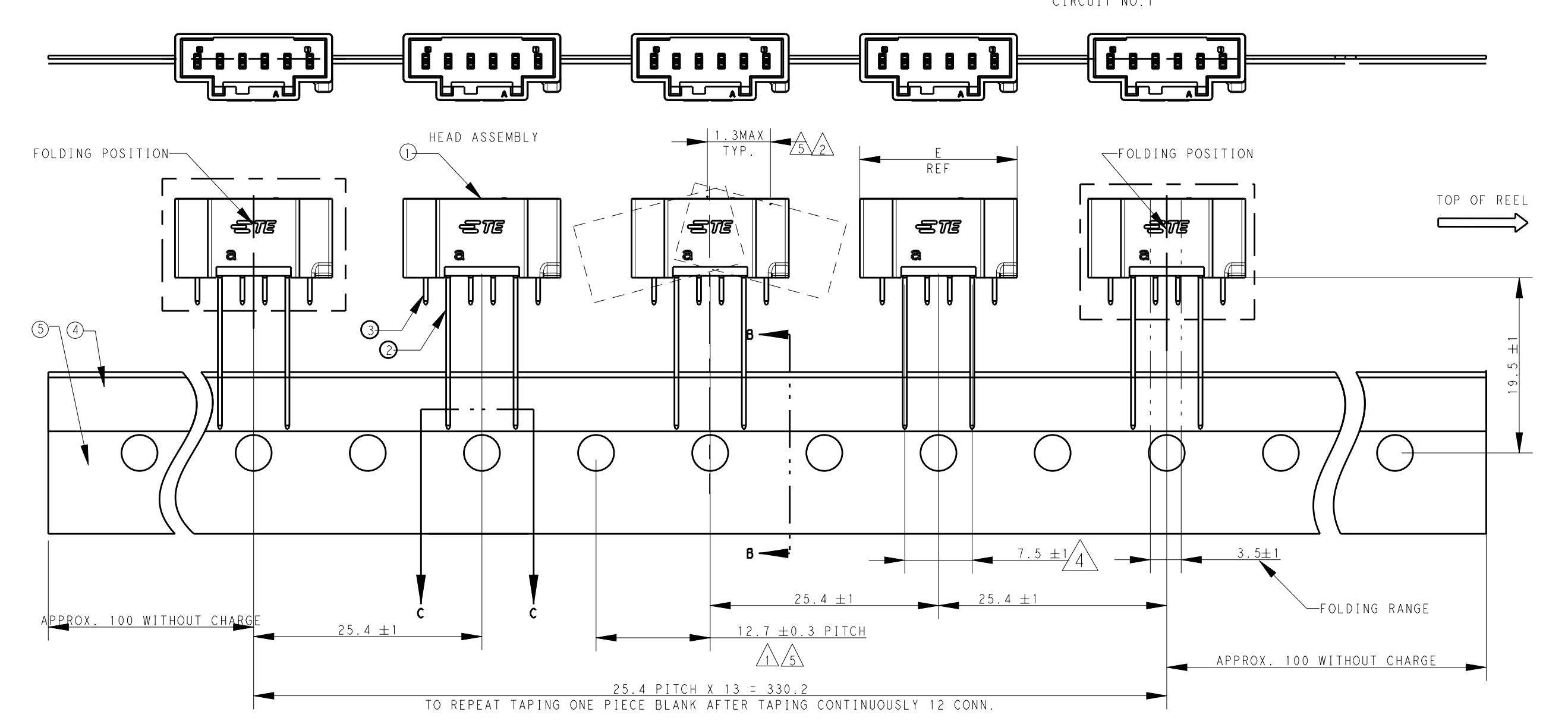
TAPING STYLE B: 5,7POS



NOTE:
 1. ACCUMULATING TOLERANCE: ±1.0mm/20 PITCH
 Δ MEASURING POINT: AT TOP OF POST
 Δ TAPE MUST NOT PROTRUDE FROM BACKING PAPER
 Δ MEASURING POINT, THE TOP OF TAPING AND THE CENTER LINE OF LEAD WIRE 1W BETWEEN
 Δ BE BASED ON THE CENTER 12.7mm PITCH DIMENSION
 Δ DIMENSIONS ARE FOR ALL POSITION.
 Δ APPLICABLE P.C.B. HOLE DIA: ØA: 1.1 ± 0.1mm
 Δ PRELIMINARY-NOT FOR PRODUCTION



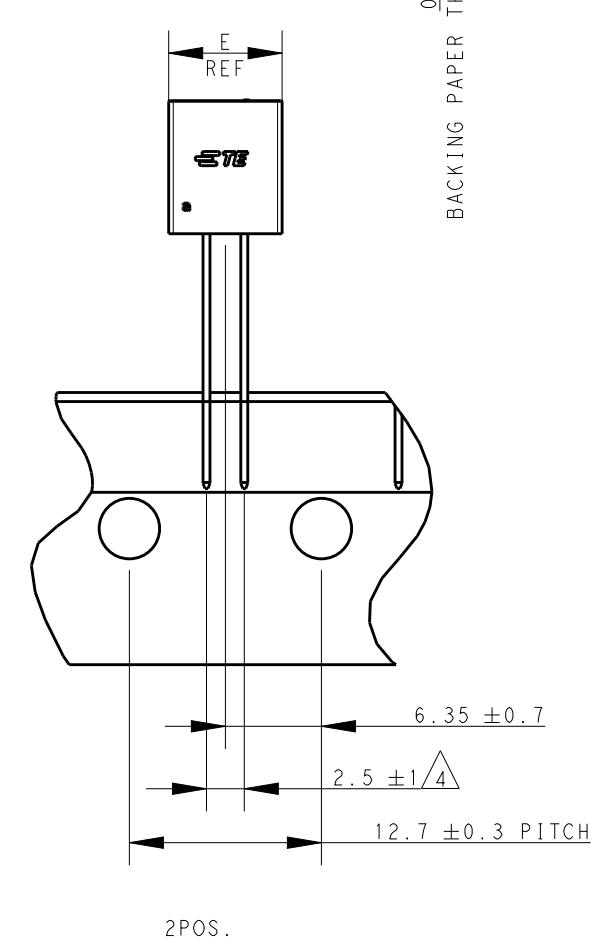
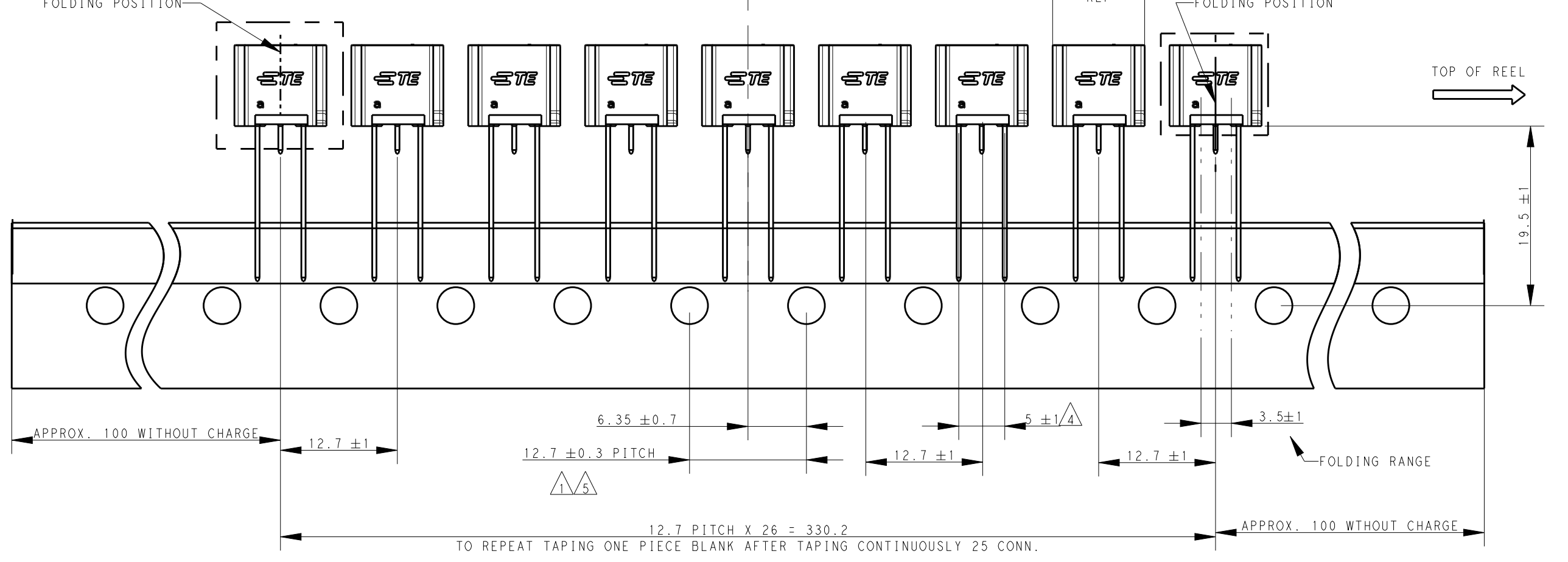
TAPING STYLE B: 4,6,8POS



KEYING	COLOR	X
D	BLACK	5
D	YELLOW	4
C	RED	3
B	BLUE	2
A	NATURAL	1
KEYING	COLOR	X

ITEM	NAME	MATERIAL
①	HEAD HOUSING	66 NYLON GF UL94V-0
②	LONG POST CONTACT	BRASS;
③	SHORT POST CONTACT	FINISH: Tin OVER Ni
④	RADIAL TAPE	THERMAL PAPER
⑤	BACKING PAPER	CRAFT PAPER

TAPING STYLE A: 2,3POS



QTY	TAPING STYLE	M	N	E	POS	HEAD ASS 1	STRIP ASS
*	*	/	*	*	/	*	*
450	B	17.5	8	22.5	8	8-2232542-X	8-2232546-X Δ
450	C	15	7	20.0	7	7-2232542-X	7-2232546-X Δ
450	B	12.5	6	17.5	6	6-2232542-X	6-2232546-X
450	C	10	5	15.0	5	5-2232542-X	5-2232546-X
450	B	7.5	4	12.5	4	4-2232542-X	4-2232546-X
900	A	5	3	10.0	3	3-2232542-X	3-2232546-X
900	A	2.5	2	7.5	2	2-2232542-X	2-2232546-X
8	7	6	5	4	3	2	1
CIRCUIT NO.				X=1.2.3.4.5			

Δ: LONG PIN 2232707-4
 * : SHORT PIN 2232707-3

THIS DRAWING IS A CONTROLLED DOCUMENT.

DMN: ANNIE QIAN 18-JAN-16
 CHK: DANIEL ZHANG 18-JAN-16
 APVD: DANIEL ZHANG 18-JAN-16

NAME: GRACE INERTIA 2.5 CONNECTOR HEADER ON TAPE

PRODUCT SPEC: 108-106077
 APPLICATION SPEC: 114-106077

SIZE: A1
 CAGE CODE: -
 DRAWING NO: -
 RESTRICTED TO: -

SCALE: 6:1
 SHEET: 1 OF 1
 REV: A2

X-ON Electronics

Largest Supplier of Electrical and Electronic Components

Click to view similar products for [Headers & Wire Housings](#) category:

Click to view products by [TE Connectivity](#) manufacturer:

Other Similar products are found below :

[892-18-020-10-001101](#) [58102-G61-06LF](#) [582553-1](#) [0009485154](#) [009176003701906](#) [0050291907](#) [LY20-4P-DT1-P1E-BR](#) [02.125.8002.8](#)
[609-3404](#) [61062-3](#) [61082-181009](#) [622-3653LF](#) [63453-116](#) [636-1030](#) [636-1427](#) [636-3427](#) [636-4007](#) [641938-9](#) [641991-4](#) [644827-2](#) [65817-010LF](#) [65817-015LF](#) [65863-015LF](#) [66207-023LF](#) [67095-007LF](#) [67601157](#) [68645-018](#) [68648-049](#) [70.362.1628.0](#) [70-4210](#) [70-4226B](#) [70-4853B](#) [707-5020](#) [707-5028](#) [71.350.2428.0](#) [71918-208LF](#) [71961-016LF](#) [733-134](#) [733-162](#) [754199-000](#) [760-3052](#) [787-8014-00](#) [79531-3000](#)
[FCN-360C032-B](#) [FCN-367T-T012/H](#) [FCN-723D010/2](#) [80.063.4001.1](#) [800-90-001-10-001000](#) [800-90-010-10-002000](#) [801-43-002-10-013000](#)