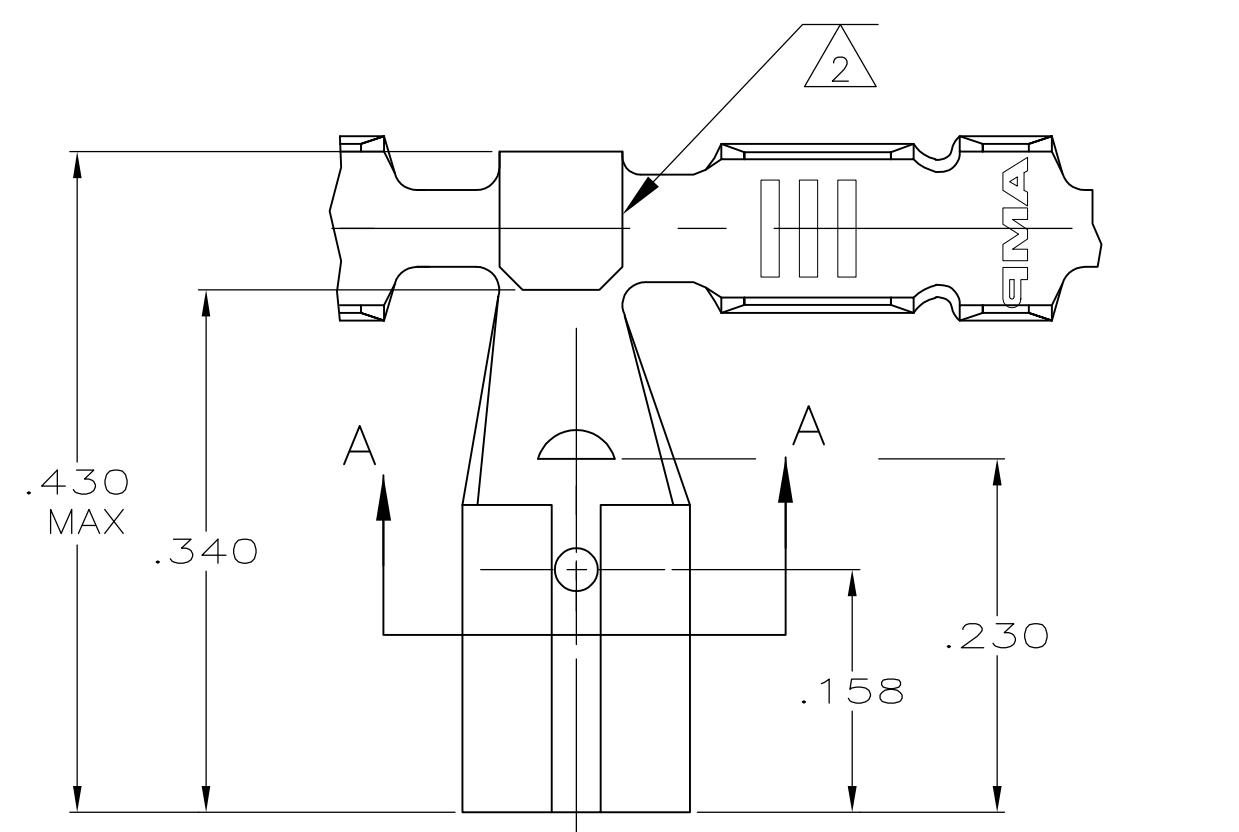
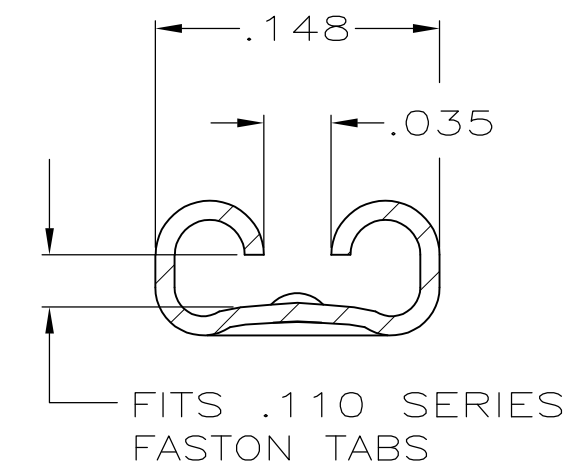


THIS DRAWING IS UNPUBLISHED. RELEASED FOR PUBLICATION  
 © COPYRIGHT - By - ALL RIGHTS RESERVED.

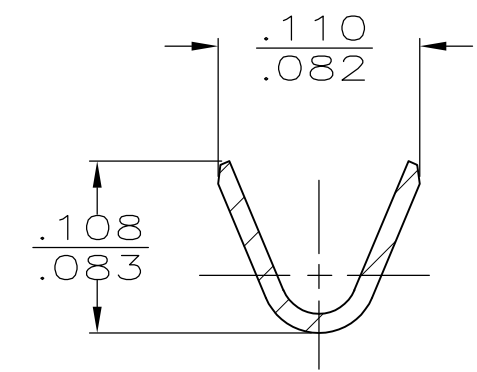
LOC	DIST	REVISIONS			
P	LTR	DESCRIPTION	DATE	DWN	APVD
AF	50				
	D	REVISED PER ECR-12-013459	27NOV2012	KH	PD



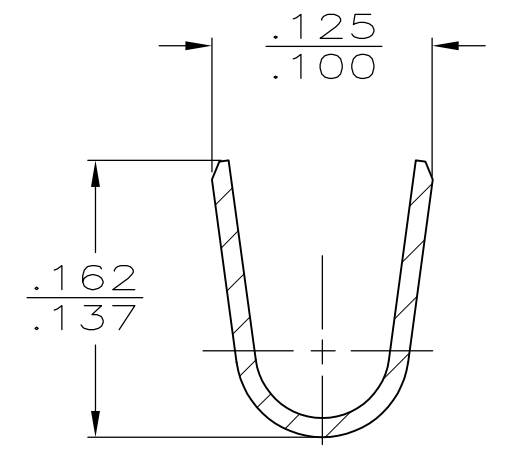
1 CONTINUOUS STRIP ON REELS  
 2 GAP PERMISSABLE IN THIS AREA



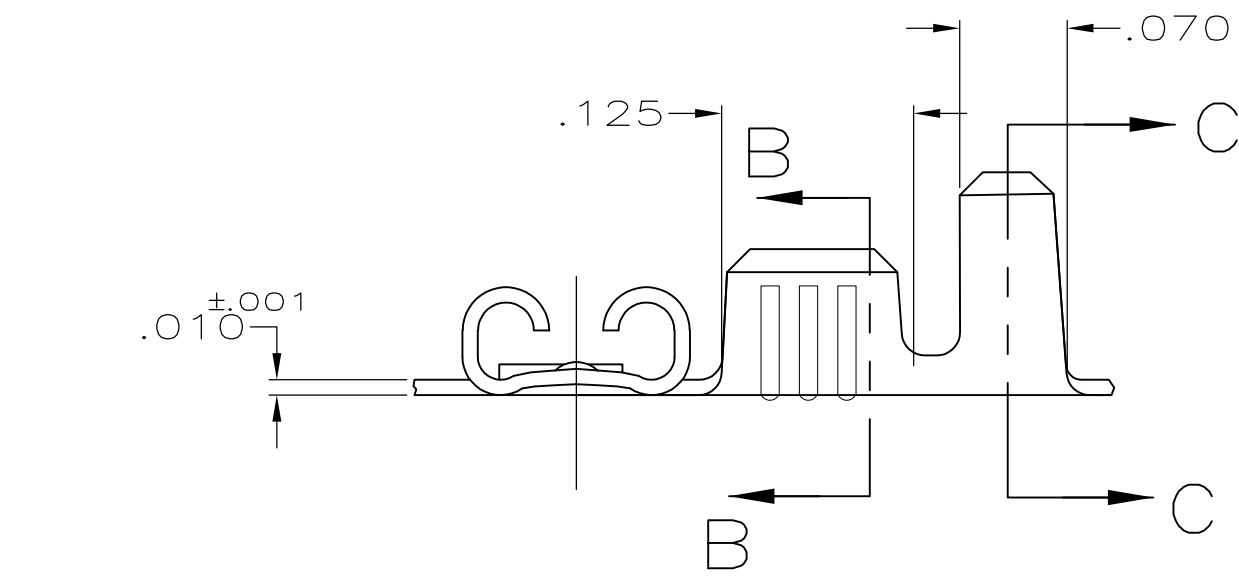
SECTION A-A  
SCALE 10:1



SECTION B-B  
SCALE 10:1



SECTION C-C  
SCALE 10:1



2	NICKEL	CR STEEL	.060-.100 DIA	22-18 AWG	.032	62336-2
	PRE-TIN	BRASS				62336-1
	FINISH	MATERIAL	INSULATION RANGE	WIRE SIZE	MATING TAB THK ±.001	PART NO

THIS DRAWING IS A CONTROLLED DOCUMENT.		DWN	JR RUTH	4/22/91	TE Connectivity RECEPTACLE, FASTON, FLAG, .110 SERIES							
DIMENSIONS: INCHES		CHK	MS FEHER	4/22/91				NAME				
TOLERANCES UNLESS OTHERWISE SPECIFIED:		APVD	C MEYERS	4/22/91				PRODUCT SPEC				
0 PLC ± - 1 PLC ± - 2 PLC ± - 3 PLC ± .015 4 PLC ± - ANGLES ± -		APPLICATION SPEC		RESTRICTED TO								
MATERIAL SEE TABLE		FINISH SEE TABLE		WEIGHT	-		SIZE	A3	CAGE CODE	00779	DRAWING NO	C-62336
CUSTOMER DRAWING				SCALE	8:1	SHEET	1 OF 1	REV	D			

## X-ON Electronics

Largest Supplier of Electrical and Electronic Components

*Click to view similar products for [Terminals](#) category:*

*Click to view products by [TE Connectivity](#) manufacturer:*

Other Similar products are found below :

[00-054007-01074-6](#) [00-054007-70206-1](#) [00-054007-70210-8](#) [00-054007-70217-7](#) [00-054007-70226-9](#) [00-054007-70228-3](#) [00-054007-70248-1](#) [00-054007-70256-6](#) [00-054007-70301-3](#) [00-054007-70316-7](#) [0-0320562-0](#) [00-054007-49560-4](#) [00-054007-70209-2](#) [00-054007-70225-2](#) [00-054007-70227-6](#) [00-054007-70231-3](#) [00-054007-70241-2](#) [00-054007-70242-9](#) [00-054007-70244-3](#) [00-054007-70246-7](#) [00-054007-70263-4](#) [00-054007-70288-7](#) [00-054007-70290-0](#) [00-054007-70300-6](#) [00-054007-70304-4](#) [01-2065-1-0216](#) [01-2900-1-04412](#) [00581P0075](#) [600TS-10](#) [60205-1](#) [604200-1](#) [605601-1](#) [60598-1-CUT-TAPE](#) [61314-6-C](#) [61810-3](#) [61-S](#) [61-SN](#) [626-0194](#) [62-NBM-A](#) [62-SN](#) [62-SP](#) [63-S](#) [640179-1](#) [M55155/059I03](#) [M55155/079C01](#) [M55155/099H02](#) [M55155/109H01](#) [M55155/109H02](#) [M55155/12XH05](#) [M55155/16XH02](#)