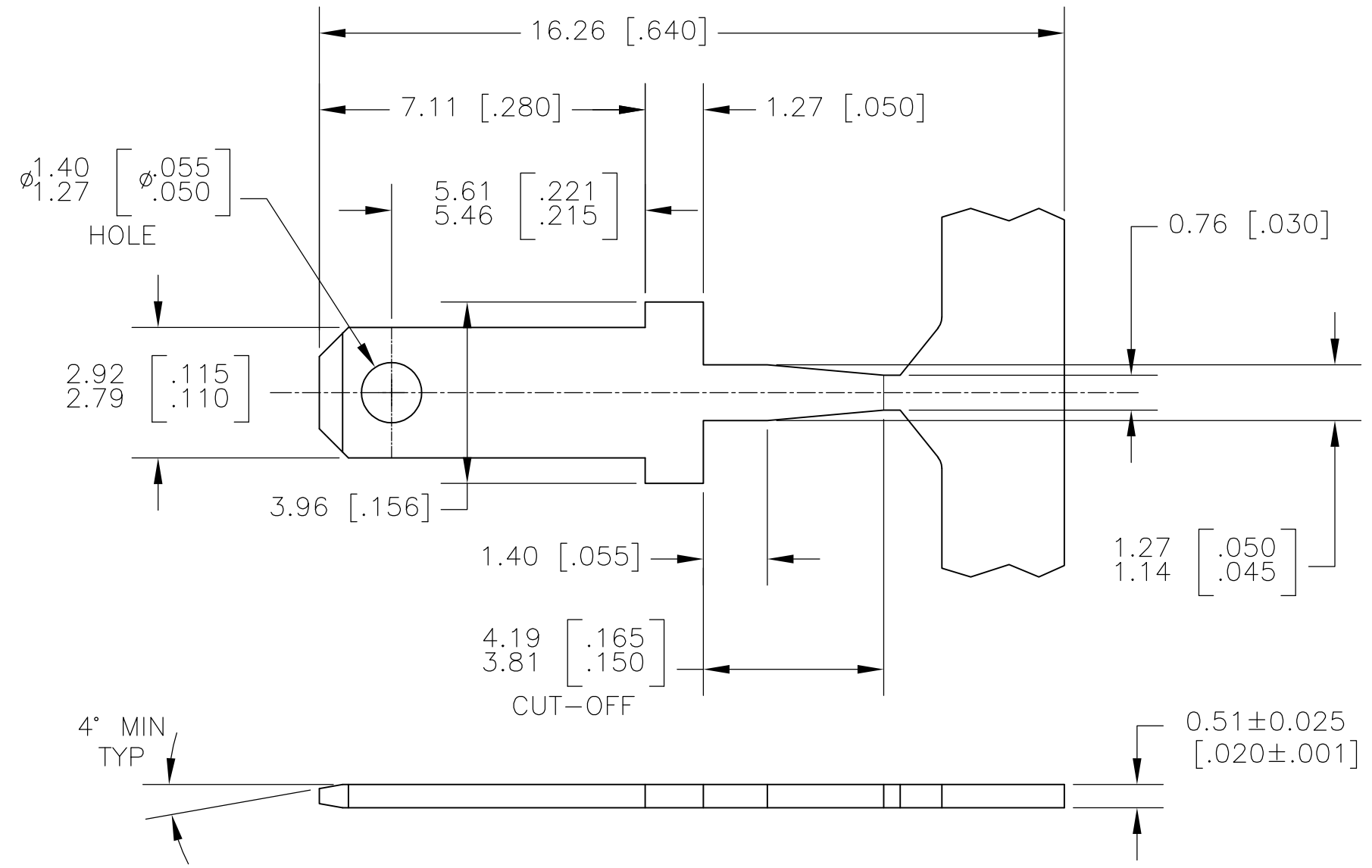


THIS DRAWING IS UNPUBLISHED. RELEASED FOR PUBLICATION
 © COPYRIGHT - By - ALL RIGHTS RESERVED.

LOC	DIST	REVISIONS					
AF	50	P	LTR	DESCRIPTION	DATE	DWN	APVD
			U	REVISED PER ECR-13-001204	19JUN13	KH	PD



- 1 CONTINUOUS STRIP ON REELS
- 2 PART TO MEET AMP SOLDERABILITY SPEC 109-11-2 (MILDLY ACTIVATED ROSIN)
- 3 FITS 1.22/1.11 [.048/.044] DIA HOLE IN PC BOARD. WHEN PLATED THRU HOLES ARE TO BE USED, ADJUSTMENT TO HOLE DIA'S SHOULD BE MADE TO ALLOW FOR THE PLATING.
- 4 PRELIMINARY - NOT FOR PRODUCTION, TO BE REELED ON PLASTIC REELS.
- 5 SPLICE FREE REELING.
- 6 0.00381 [.000150] MIN TIN OVER 0.00254 [.000100] MIN COPPER.
- 7 0.00381 [.000050] MIN TIN OVER COPPER.
- 8 OBSOLETE PARTS: OBSOLETE CIS STREAMLINING PER D.RENAUD/D.SINISI

8 OBSOLETE	6	5	62395-4
	6	4	62395-3
SUPERSEDED BY 62395-1	7	2	62395-2
	6		62395-1
	FINISH		PART NO.

THIS DRAWING IS A CONTROLLED DOCUMENT.		DWN	JR RUTH	12DEC00	TE Connectivity NAME TAB, FASTON, PC BOARD, 2.79 [.110] SERIES						
DIMENSIONS: MM [INCHES]		CHK	MS FEHER	12DEC00							
TOLERANCES UNLESS OTHERWISE SPECIFIED:		APVD	G PORTA	12DEC00							
0 PLC ± - 1 PLC ± - 2 PLC ± 0.25 [.010] 3 PLC ± - 4 PLC ± - ANGLES ± -		PRODUCT SPEC	-								
MATERIAL	BRASS	FINISH	SEE TABLE	APPLICATION SPEC	-		RESTRICTED TO	-			
CUSTOMER DRAWING				WEIGHT	-	SIZE	A3	CAGE CODE	00779	DRAWING NO	C-62395
				SCALE	8:1	SHEET	1	OF	1	REV	U

X-ON Electronics

Largest Supplier of Electrical and Electronic Components

Click to view similar products for [Terminals](#) category:

Click to view products by [TE Connectivity](#) manufacturer:

Other Similar products are found below :

[00-054007-01074-6](#) [00-054007-70206-1](#) [00-054007-70210-8](#) [00-054007-70217-7](#) [00-054007-70226-9](#) [00-054007-70228-3](#) [00-054007-70248-1](#) [00-054007-70256-6](#) [00-054007-70301-3](#) [00-054007-70316-7](#) [00-054007-49560-4](#) [00-054007-70209-2](#) [00-054007-70225-2](#) [00-054007-70227-6](#) [00-054007-70231-3](#) [00-054007-70241-2](#) [00-054007-70242-9](#) [00-054007-70244-3](#) [00-054007-70246-7](#) [00-054007-70263-4](#) [00-054007-70288-7](#) [00-054007-70290-0](#) [00-054007-70300-6](#) [00-054007-70304-4](#) [01-2065-1-0216](#) [01-2900-1-04412](#) [00581P0075](#) [600TS-10](#) [60205-1](#) [604200-1](#) [605601-1](#) [60598-1-CUT-TAPE](#) [61314-6-C](#) [61810-3](#) [61-S](#) [61-SN](#) [626-0194](#) [62-NBM-A](#) [62-SN](#) [62-SP](#) [63-S](#) [640179-1](#) [M55155/059I03](#) [M55155/079C01](#) [M55155/099H02](#) [M55155/109H01](#) [M55155/109H02](#) [M55155/12XH05](#) [M55155/16XH02](#) [M55155/29-5S](#)